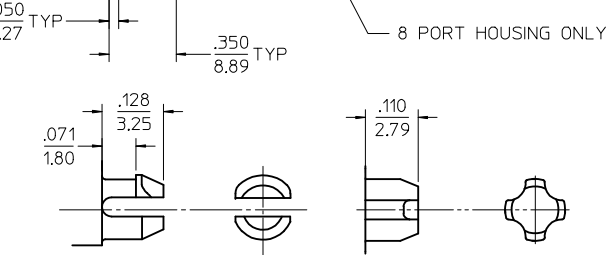
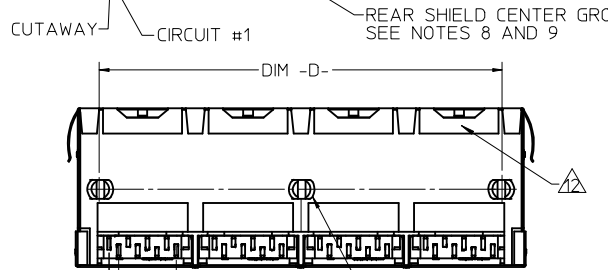
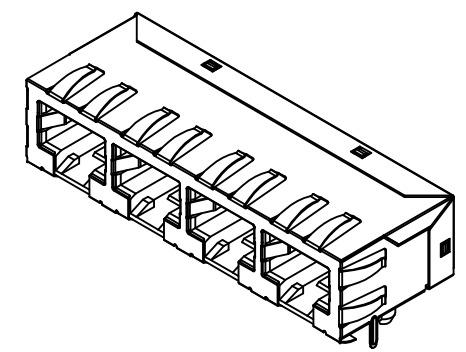
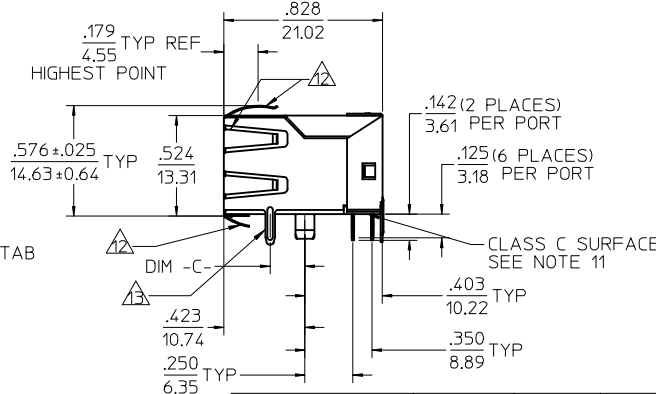
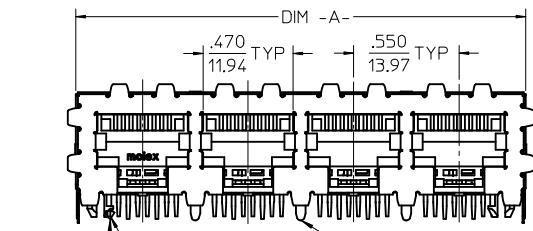


- NOTES:
- MATERIAL:  
HOUSING: NYLON, GLASS FILLED, UL94V-0, COLOR: BLACK  
TERMINALS: PHOSPHOR BRONZE
  - FINISH:  
TERMINALS:  
SELECT GOLD IN CONTACT AREA: 50 MICROINCHES / 1.27 MICROMETERS MIN.,  
SELECT MATTE TIN IN PC TAIL AREA: 100 MICROINCHES / 2.54 MICROMETERS MIN.,  
WITH OVERALL NICKEL UNDERPLATE: 50 MICROINCHES / 1.27 MICROMETERS MIN.
  - PRODUCT SPECIFICATION: PS-44050-003.
  - PACKAGING SPECIFICATION:  
UNSHIELDED CONNECTOR ASSEMBLIES IN THERMOFORMED TRAYS PER MOLEX  
PACKAGING SPECIFICATION PK-44150-005.
  - MATES WITH: MODULAR PLUGS THAT CONFORM TO FCC REGULATION PART 68.5.
  - PC BOARD LAYOUTS AND PANEL CUT-OUT SHOWN ON PAGE (3) OF (3).
  - CONNECTOR AVAILABLE WITH EITHER PEG OPTION 'A' (SNAP-FIT) OR PEG OPTION 'B' (PRESS-FIT). THIS DRAWING SHOWS PEG OPTION 'A'.
  - TERMINAL LENGTHS MAY BE DIFFERENT FROM TERMINAL TO TERMINAL.
  - THIS PART CONFORMS TO CLASS B REQUIREMENTS OF COSMETIC SPECIFICATION PS-45499-002 WITH THE EXCEPTION OF THE SURFACE INDICATED WHICH IS A CLASS C SURFACE.

*X*=NOT TOOLED	ASSEMBLY MATERIAL NUMBER	NUMBER OF PORTS	PEG OPTION	CENTER PEG	DIM -A-	DIM -D-
	441500001	2	A	NO	1,200/30.48	1,000/25.40
	441500017	2	B	NO	1,200/30.48	1,000/25.40
x	441500002	4	A	NO	2,300/58.42	2,100/53.34
x	441500018	4	B	NO	2,300/58.42	2,100/53.34
x	441500003	6	A	NO	3,400/86.36	3,200/81.28
x	441500019	6	B	NO	3,400/86.36	3,200/81.28
x	441500004	8	A	YES	4,500/114.30	4,300/109.22
x	441500020	8	B	YES	4,500/114.30	4,300/109.22

ADD PN 44150-0036/7 EC NO: UCP2017-2330 DRWNAFENG02 2017/04/25 CHKD:KATARZ/ENE 2017/04/26 APPR:KLANG 2017/04/26	DESCRIPTION REV D9	QUALITY SYMBOLS 	GENERAL TOLERANCES (UNLESS SPECIFIED)		DIMENSION STYLE IN/MM		SCALE 2:1	DESIGN UNITS INCH	THIRD ANGLE PROJECTION	
			mm	INCH	DRAWN BY MARANTO	DATE 98/01/21	CATEGORY 5 MODULAR JACK ASSEMBLIES, GANGED  <b>molex</b> DOCUMENT NO. SD-44150-002 SHEET NO. 1 OF 3			
			4 PLACES ± --- ± ---	3 PLACES ± --- ± .010	CHECKED BY ROBERTS	DATE 98/01/21				
			2 PLACES ± 0.25 ± ---	1 PLACE ± --- ± ---	APPROVED BY ROBERTS	DATE 98/01/21	THIS DRAWING CONTAINS INFORMATION THAT IS PROPRIETARY TO MOLEX INCORPORATED AND SHOULD NOT BE USED WITHOUT WRITTEN PERMISSION			
ANGULAR ±1/2°		DRAFT WHERE APPLICABLE MUST REMAIN WITHIN DIMENSIONS		SEE CHART						



**PEG OPTION 'A'**

SNAP-FIT PEG  
SEE NOTE #7  
(SCALE NTS)

**PEG OPTION 'B'**

PRESS-FIT PEG  
SEE NOTE #7  
(SCALE NTS)

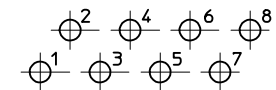
- NOTES:**
- MATERIAL:**  
HOUSING: NYLON, GLASS FILLED, UL94V-0, COLOR: BLACK  
TERMINALS: PHOSPHOR BRONZE  
SHIELD: BRASS
  - FINISH:**  
TERMINALS:  
SELECT GOLD IN CONTACT AREA: 50 MICROINCHES / 1.27 MICROMETERS MIN.,  
SELECT MATTE TIN IN PC TAIL AREA: 100 MICROINCHES / 2.54 MICROMETERS MIN.,  
WITH OVERALL NICKEL UNDERPLATE: 50 MICROINCHES / 1.27 MICROMETERS MIN.  
SHIELD:  
100 MICROINCHES / 2.54 MICROMETERS NICKEL OVER 50 MICROINCHES /  
1.27 MICROMETERS COPPER UNDERPLATE, PCB GROUND TABS DIPPED IN TIN
  - PRODUCT SPECIFICATION:** PS-44050-003.
  - PACKAGING SPECIFICATION:**  
SHIELDED CONNECTOR ASSEMBLIES IN THERMOFORMED TRAYS PER MOLEX  
PACKAGING SPECIFICATION PK-44150-004.
  - MATES WITH:** MODULAR PLUGS THAT CONFORM TO FCC REGULATION PART 68.5.
  - PC BOARD LAYOUTS AND PANEL CUT-OUT SHOWN ON PAGE (3) OF (3).**
  - CONNECTOR AVAILABLE WITH EITHER PEG OPTION 'A' (SNAP-FIT) OR PEG OPTION 'B' (PRESS-FIT). THIS DRAWING SHOWS PEG OPTION 'A'.**
  - (4) PORT AND (8) PORT MODJACKS AVAILABLE WITH A SINGLE GROUND TAB ON REAR OF SHIELD, LOCATED IN THE CENTER. PER THE ASSEMBLY MATERIAL NUMBER TABLE.**
  - (8) PORT VERSION AVAILABLE WITH (3) GROUND TABS ON REAR OF SHIELD, CENTERED ON THE PART. PER THE ASSEMBLY MATERIAL NUMBER TABLE.**
  - TERMINAL LENGTHS MAY BE DIFFERENT FROM TERMINAL TO TERMINAL.**
  - THIS PART CONFORMS TO CLASS B REQUIREMENTS OF COSMETIC SPECIFICATION PS-45499-002 WITH THE EXCEPTION OF THE SURFACE INDICATED WHICH IS A CLASS C SURFACE.**
  - 441500036 DOES NOT HAVE TOP, SIDE, OR BOTTOM GROUND TABS & HAS SHORTER BOTTOM FLANGES**
  - 441500034 DOES NOT HAVE SIDE GROUND TABS**
  - 441500037 DOES NOT HAVE BOTTOM GROUND TABS**

ASSEMBLY MATERIAL NUMBER	NUMBER OF PORTS	PEG OPTION	CENTER PEG	REAR SHIELD GROUND TABS	DIM -A-	DIM -C-	DIM -D-
441500005	2	A	NO	1	1,225/31.12	0,145/3.68	1,000/25.40
441500011	2	A	NO	1	1,225/31.12	0,180/4.57	1,000/25.40
12 441500036	2	A	NO	0	1,225/31.12	0,180/4.57	1,000/25.40
441500021	2	B	NO	1	1,225/31.12	0,145/3.68	1,000/25.40
441500027	x 2	B	NO	1	1,225/31.12	0,180/4.57	1,000/25.40
441500009	x 4	A	NO	1	2,325/59.05	0,145/3.68	2,100/53.34
14 441500037	4	A	NO	0	2,325/59.05	0,145/3.68	2,100/53.34
441500015	x 4	A	NO	1	2,325/59.05	0,180/4.57	2,100/53.34
441500006	4	A	NO	3	2,325/59.05	0,145/3.68	2,100/53.34
441500012	4	A	NO	3	2,325/59.05	0,180/4.57	2,100/53.34
441500025	x 4	B	NO	1	2,325/59.05	0,145/3.68	2,100/53.34
441500031	x 4	B	NO	1	2,325/59.05	0,180/4.57	2,100/53.34
441500022	4	B	NO	3	2,325/59.05	0,145/3.68	2,100/53.34
441500028	x 4	B	NO	3	2,325/59.05	0,180/4.57	2,100/53.34
13 441500034	x 4	B	NO	3	2,325/59.05	N/A	2,100/53.34
441500007	x 6	A	NO	5	3,425/87.00	0,145/3.68	3,200/81.28
441500013	6	A	NO	5	3,425/87.00	0,180/4.57	3,200/81.28
441500023	x 6	B	NO	5	3,425/87.00	0,145/3.68	3,200/81.28
441500029	6	B	NO	5	3,425/87.00	0,180/4.57	3,200/81.28
441500010	x 8	A	YES	1	4,525/114.94	0,145/3.68	4,300/109.22
441500016	x 8	A	YES	1	4,525/114.94	0,180/4.57	4,300/109.22
441500033	x 8	A	YES	3	4,525/114.94	0,145/3.68	4,300/109.22
441500008	8	A	YES	7	4,525/114.94	0,145/3.68	4,300/109.22
441500014	x 8	A	YES	7	4,525/114.94	0,180/4.57	4,300/109.22
441500026	x 8	B	YES	1	4,525/114.94	0,145/3.68	4,300/109.22
441500032	x 8	B	YES	1	4,525/114.94	0,180/4.57	4,300/109.22
441500024	x 8	B	YES	7	4,525/114.94	0,145/3.68	4,300/109.22
441500030	x 8	B	YES	7	4,525/114.94	0,180/4.57	4,300/109.22

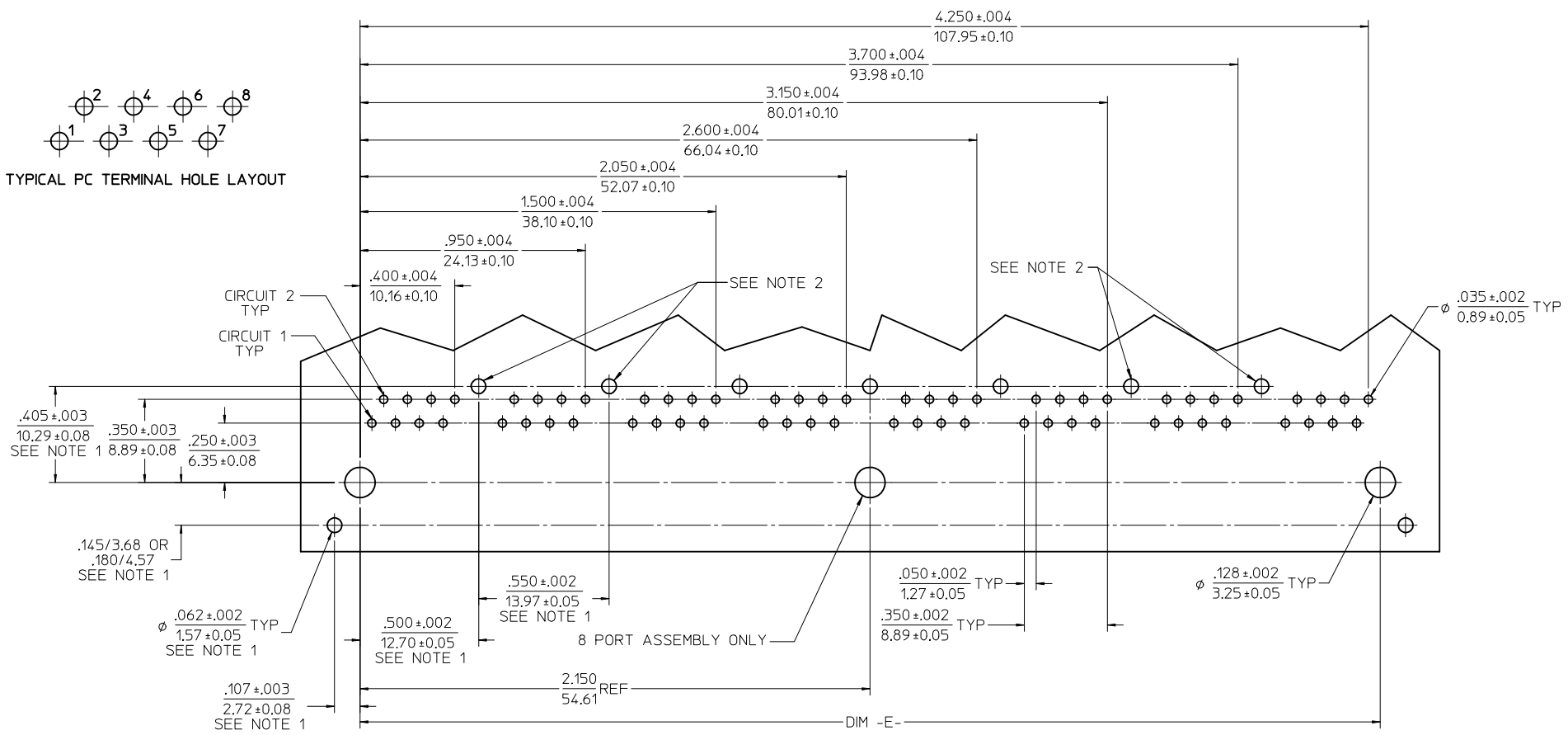
X = NOT TOOLED

<b>SEE SHEET 1</b> EC NO: UCP2017-2330 DRWINAFENG02 2017/04/25 CHKDKATARZ/ENE 2017/04/26 APPR-KLANG 2017/04/26 D9 REV:	QUALITY SYMBOLS ▽=0 ▽=0 ▽=0	GENERAL TOLERANCES (UNLESS SPECIFIED)		DIMENSION STYLE <b>IN/MM</b>		SCALE <b>2:1</b>	DESIGN UNITS <b>INCH</b>	THIRD ANGLE PROJECTION
		mm      INCH	DRAWN BY MARANTO	DATE 98/01/21	CATEGORY 5 MODULAR JACK ASSEMBLIES, GANGED			
		4 PLACES ± --- ± --- 3 PLACES ± --- ± .010 2 PLACES ± .025 ± --- 1 PLACE ± --- ± --- 0 PLACE ±      ±	CHECKED BY ROBERTS	DATE 98/01/21	<b>molex</b>			
		ANGULAR ±1/2° DRAFT WHERE APPLICABLE MUST REMAIN WITHIN DIMENSIONS	APPROVED BY ROBERTS	DATE 98/01/21	MATERIAL NO. <b>SEE CHART</b>	DOCUMENT NO. <b>SD-44150-002</b>	SHEET NO. <b>2 OF 3</b>	

THIS DRAWING CONTAINS INFORMATION THAT IS PROPRIETARY TO MOLEX. INCORPORATED AND SHOULD NOT BE USED WITHOUT WRITTEN PERMISSION



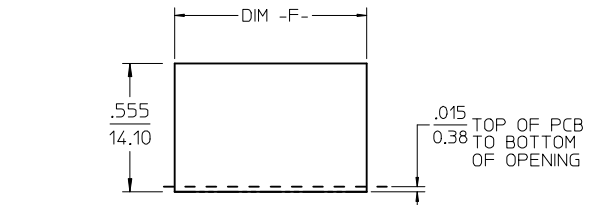
TYPICAL PC TERMINAL HOLE LAYOUT



PCB LAYOUT : COMPONENT SIDE  
RECOMMENDED PCB THICKNESS : .062/1.57

- NOTES:
1. DIMENSIONS REFER TO SHIELDED ASSEMBLIES ONLY
  2. SHIELD PCB GROUND TAB HOLES SPECIFIED NOT PRESENT FOR 441500033 USAGE

NUMBER OF PORTS	DIM -E-	DIM -F-
2	1.000/25.40	1.255/31.88
4	2.100/53.34	2.355/59.82
6	3.200/81.28	3.455/87.86
8	4.300/109.22	4.555/115.70



SUGGESTED PANEL OPENING  
SHIELDED VERSIONS

<b>SEE SHEET 1</b> EC NO: UCP2017-2330 DRW: WAFENG02 2017/04/25 CHK: D.KATARZIENE 2017/04/26 APPR: KLANG 2017/04/26 REV: D9	QUALITY SYMBOLS 	GENERAL TOLERANCES (UNLESS SPECIFIED) <table border="1"> <thead> <tr> <th></th> <th>mm</th> <th>INCH</th> </tr> </thead> <tbody> <tr> <td>4 PLACES</td> <td>± .10</td> <td>± .004</td> </tr> <tr> <td>3 PLACES</td> <td>± .15</td> <td>± .006</td> </tr> <tr> <td>2 PLACES</td> <td>± 0.25</td> <td>± .010</td> </tr> <tr> <td>1 PLACE</td> <td>± .50</td> <td>± .020</td> </tr> <tr> <td>0 PLACE</td> <td>±</td> <td>±</td> </tr> </tbody> </table>		mm	INCH	4 PLACES	± .10	± .004	3 PLACES	± .15	± .006	2 PLACES	± 0.25	± .010	1 PLACE	± .50	± .020	0 PLACE	±	±	DIMENSION STYLE <b>IN/MM</b>	SCALE DESIGN UNITS <b>INCH</b>	THIRD ANGLE PROJECTION 
		mm	INCH																				
	4 PLACES	± .10	± .004																				
	3 PLACES	± .15	± .006																				
2 PLACES	± 0.25	± .010																					
1 PLACE	± .50	± .020																					
0 PLACE	±	±																					
DRAWN BY: MARANTO DATE: 98/01/21 CHECKED BY: ROBERTS DATE: 98/01/21 APPROVED BY: ROBERTS DATE: 98/01/21		MATERIAL NO. <b>SEE CHART</b>		TITLE <b>CATEGORY 5 MODULAR JACK ASSEMBLIES, GANGED</b>																			
ANGULAR ±1/2° DRAFT WHERE APPLICABLE MUST REMAIN WITHIN DIMENSIONS		DOCUMENT NO. <b>SD-44150-002</b>		SHEET NO. <b>3 OF 3</b>																			
THIS DRAWING CONTAINS INFORMATION THAT IS PROPRIETARY TO MOLEX INCORPORATED AND SHOULD NOT BE USED WITHOUT WRITTEN PERMISSION																							