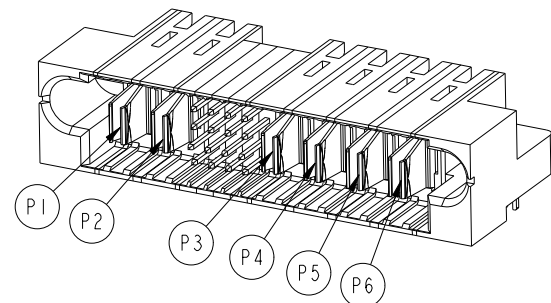
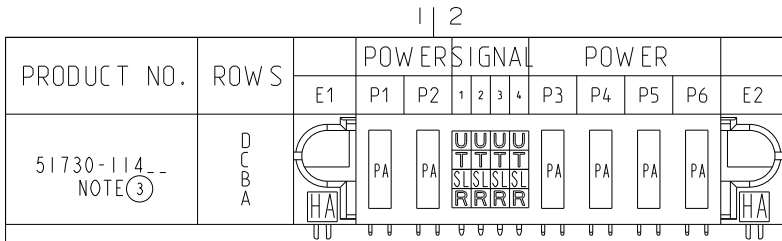
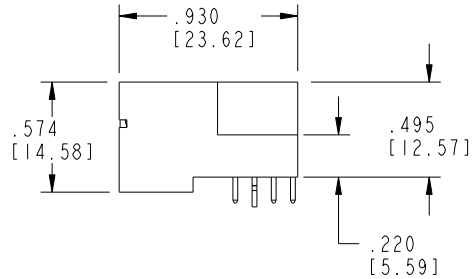
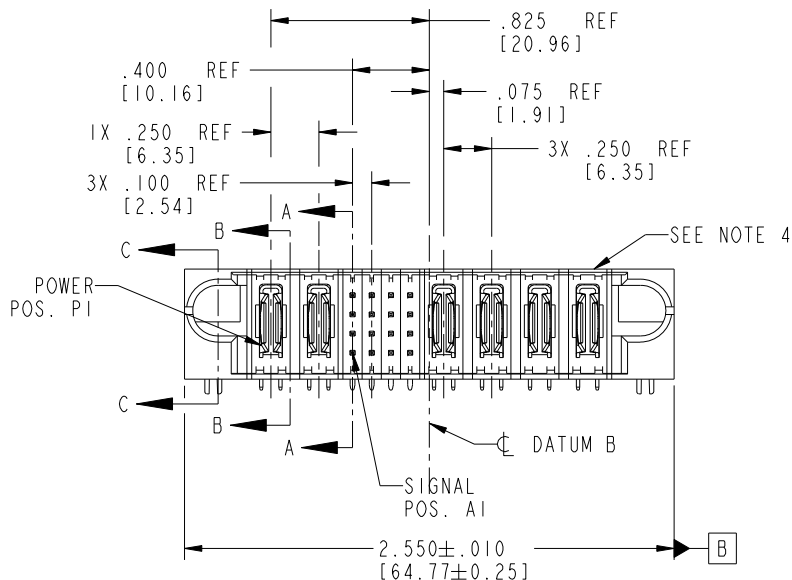


Tous droits strictement réservés. Reproduction ou communication a des tiers interdite sous quelque forme que ce soit sans autorisation écrite du propriétaire. Propriété de c FCI. Droits de reproduction FCI.

All rights strictly reserved. Reproduction or issue to third parties in any form whatever is not permitted without written authority from the proprietor. Property of FCI. Copyright FCI.



TOP SIDE VIEW



CODE	DIM"MM" MATTING LENGTH	DIM"W" WIPE LENGTH MIN	CONTACT TYPE
U	.270 [6.86]	.152 [3.86]	SIGNAL
T	.270 [6.86]	.152 [3.86]	SIGNAL
R	.270 [6.86]	.152 [3.86]	SIGNAL
SL	.308 [7.82]	.190 [4.83]	SIGNAL
PA	N/A [N/A]	N/A [N/A]	POWER
HA	N/A [N/A]	N/A [N/A]	HOLE-DOWN

mat'l code				SEE NOTE 2		tolerances unless otherwise specified		CUSTOMER		
ltr	ecn no.	dr	date	linear	angles	COPY		www.fciconnect.com		
A	DG05-0196	SW	06/28/05	.XX±.01/0.X±0.3		projection		title 2P + 16S + 4P		
B	DG05-0222	SW	07/14/05	.XXX±.005/0.XX±0.13		INCH/MM		RIGHT ANGLE SOLDER HEADER		
C	DG05-0403	SW	10/20/05	.XXX±.0020/0.XXX±0.051	0° ± 2°	scale 1:1		product family PwrBlade code 213		
D	DG06-0038	RYAN	02/09/06			A 51730-114		sheet 1 of 4		
E	DG08-0237	W D	09/01/08							
F	DG08-0272	W D	09/25/08							
sheet index		revision sheet	F 1	F 2	F 3	F 4				

Pro/E

PDM: Rev:F

STATUS: Released

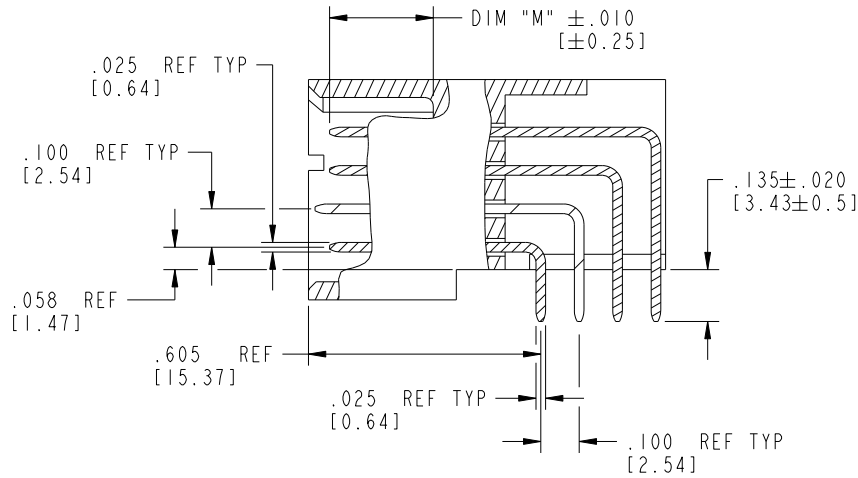
Printed: Dec 20, 2010

Tous droits strictement réservés. Reproduction ou communication a des tiers interdite sous quelque forme que ce soit sans autorisation écrite du propriétaire. Propriété de c FCI. Droits de reproduction FCI.

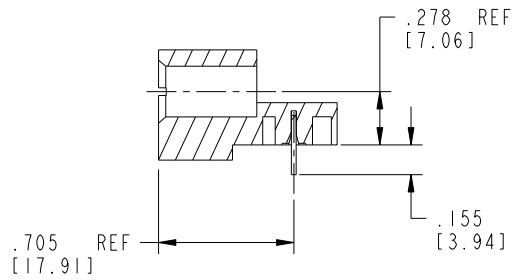
All rights strictly reserved. Reproduction or issue to third parties in any form whatever is not permitted without written authority from the proprietor. Property of FCI. Copyright FCI.



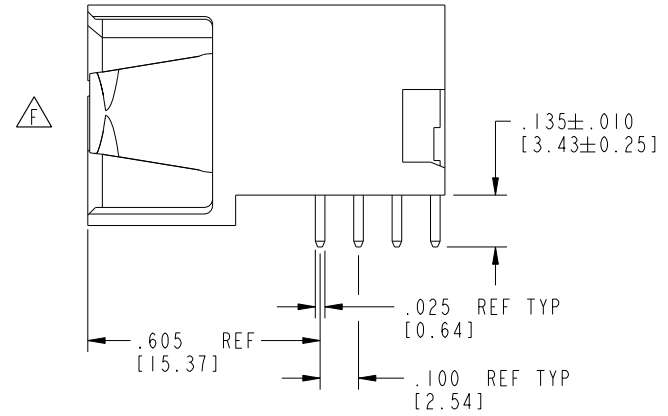
PRODUCT NUMBER
51730-114--
NOTE ③



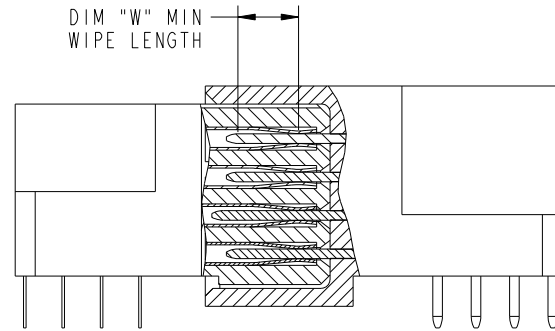
SECTION A-A
SCALE 2:1



SECTION C-C



BROKEN-OUT SECTION B-B
SCALE 2:1



SECTION SIGNAL-SIGNAL
SCALE 2:1

mat'l code		SEE NOTE 2		tolerances unless otherwise specified		CUSTOMER		 www.fciconnect.com	
lfr	ecn no.	dr	date	linear	.XX±.01/0.X±0.3	projection	title 2P + 16S + 4P		
F				angles	.XXY±.005/0.XX±0.13		RIGHT ANGLE SOLDER HEADER		
				dr	.XXX±.0020/0.XXX±0.051	INCH/MM	product family PwrBlade		code 213
				engr	0°±2°	scale 1:1	size	dwg no	sheet 2 of 4
				chr	dr STEVEN WANG 06/28/05		A 51730-114		
				appd	engr STEVEN WANG 06/28/05				
					chr VICTOR LIN 06/28/05				
					appd JOSEPH HSIA 06/28/05				
sheet index	revision sheet								

cage code 22526

Pro/E

PDM: Rev:F

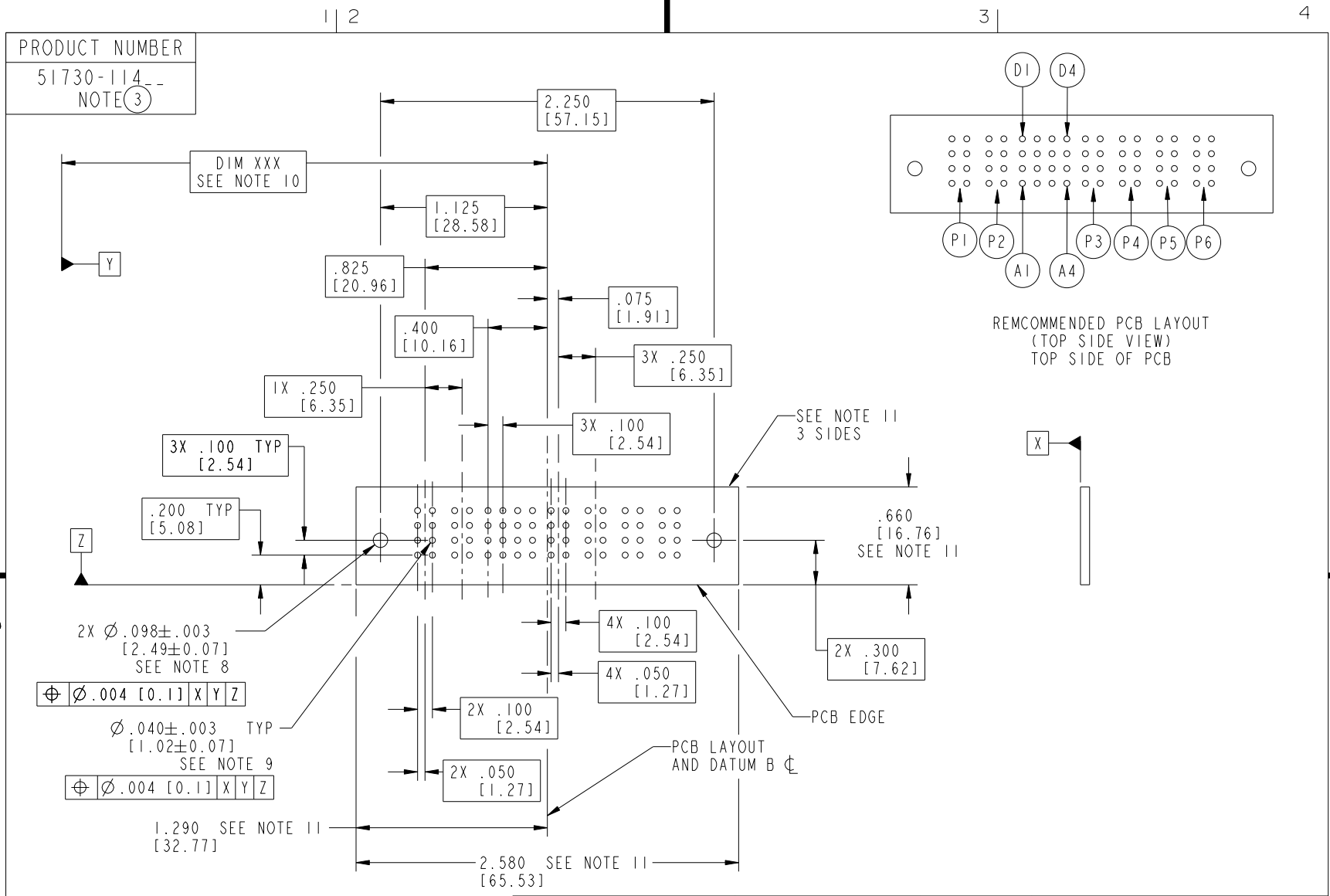
STATUS: Released

Printed: Dec 20, 2010

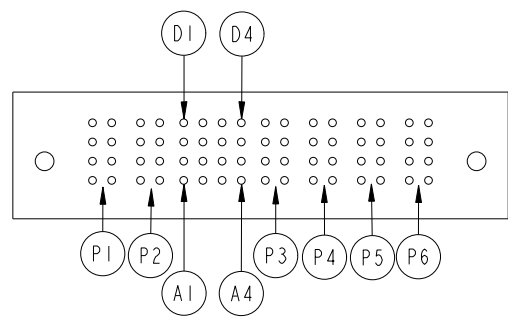
Tous droits strictement réservés. Reproduction ou communication a des tiers interdite sous quelque forme que ce soit sans autorisation écrite du propriétaire. Propriété de c FCI. Droits de reproduction FCI.



All rights strictly reserved. Reproduction or issue to third parties in any form whatever is not permitted without written authority from the proprietor. Property of FCI. Copyright FCI.



RECOMMENDED PCB LAYOUT



RECOMMENDED PCB LAYOUT (TOP SIDE VIEW) TOP SIDE OF PCB

mat'l code		SEE NOTE 2		tolerances unless otherwise specified		CUSTOMER		 www.fciconnect.com	
ltr	ecn no.	dr	date	linear	.XX±.01/0.X±0.3	COPY		title	
F				linear	.XXY±.005/0.XX±0.13	projection		2P + 16S + 4P	
				angles	.XXX±.002/0.XXX±0.051			RIGHT ANGLE SOLDER HEADER	
				dr	0°±2°			product family	
				enrg	STEVEN WANG 06/28/05	scale		PwrBlade	
				chr	STEVEN WANG 06/28/05	1:1		code	
				appd	VICTOR LIN 06/28/05			size	
					JOSEPH HSIA 06/28/05			dwg no	
sheet index		revision sheet						A 51730-114	
								213	
								3 of 4	

Tous droits strictement réservés. Reproduction ou communication a des tiers interdite sous quelque forme que ce soit sans autorisation écrite du propriétaire. Propriété de c FCI. Droits de reproduction FCI.



All rights strictly reserved. Reproduction or issue to third parties in any form whatever is not permitted without written authority from the proprietor. Property of FCI. Copyright FCI.

1 | 2

3 |

4

PRODUCT NUMBER
51730-114--
NOTE (3)

NOTES:

1. DIMENSIONS AND TOLERANCES ARE IN ACCORDANCE WITH ASME Y14.5M, 1994 UNLESS OTHERWISE SPECIFIED.

CONNECTOR NOTES:

(2.) HOUSING MATERIAL: UL 94 V-0 GLASS FILLED HIGH-TEMP THERMOPLASTIC
POWER CONTACT MATERIAL: COPPER ALLOY
SIGNAL PIN MATERIAL: COPPER ALLOY

(F) 3. SEE ITEM 1 & 2 IN PRINT 10064183 FOR PLATING SPEC OF 51730-114 AND 51730-114LF RESPECTIVELY.

(4.) MANUFACTURER'S NAME, P/N, AND DATE CODE TO APPEAR ON THIS SURFACE.

5. PRODUCT SPECIFICATION GS-12-149.
APPLICATION SPECIFICATION BUS-20-067.

6. PACKAGED IN TRAYS.

PCB NOTES:

7. ALL HOLE DIAMETERS ARE FINISHED HOLE SIZE.

(8.) MOUNTING HOLES, WHERE APPLICABLE, ARE UNPLATED.

(9.) $\varnothing .0453 \pm .0010$ [1.151 \pm 0.025] DRILLED HOLES PLATED WITH
.0003 [0.008] MIN SnPb OVER .001 [0.03]
TO .003 [0.08] Cu PLATING TO ACHIEVE
 $\varnothing .040 \pm .003$ [1.02 \pm .07] HOLE.

(10.) "DIM XXX" TO BE DETERMINED BY THE CUSTOMER.

(11.) CONNECTOR KEEP-OUT ZONE.

12. A (F) SYMBOL WILL BE NEXT TO ANY DIMENSION, VIEW, OR NOTE WHICH HAS BEEN MODIFIED WITH THE CURRENT DRAWING REVISION.

mat'l code		SEE NOTE 2		tolerances unless otherwise specified		CUSTOMER		FCI	
ltr	ecn no.	dr	date	linear	.XX±.01/0.X±0.3	COPY		www.fciconnect.com	
F				projection	.XXX±.005/0.XX±0.13			title 2P + 16S + 4P	
				angles	.XXX±.002/0.XXX±0.051			RIGHT ANGLE SOLDER HEADER	
				dr	0° ± 2°			product family PwrBlade	
				engr	STEVEN WANG 06/28/05	INCH/MM		code 213	
				chr	STEVEN WANG 06/28/05	scale 1:1		size dwg no	
				appd	VICTOR LIN 06/28/05	A		51730-114	
					JOSEPH HSIA 06/28/05			sheet 4 of 4	
sheet index	revision sheet								

1 | 2

Pro/E

PDM: Rev:F

STATUS: Released

Printed: Dec 20, 2010

A

A

B

B

cage code 2856

4