

REFERENCE SPECIFICATIONS

-NFC 93425 (in compliance with HE 501)

PHYSICAL CHARACTERISTICS

-INSULATOR MATERIAL: THERMOPLASTIC UL94 V-0  
 -CONTACT MATERIAL: PHOSPHOR BRONZE  
 GOLD OVER NICKEL

-ACCESSORIES: BRASS,cadmium plated yellow passivation  
 -SHELLS: STEEL,cadmium plated yellow passivation

ELECTRICAL CHARACTERISTICS

-NOMINAL CURRENT: 7.5A  
 -CONTACT RESISTANCE: <= 7.3 m ohms  
 -CONTACT/CONTACT : >=1000 V  
 -CONTACT/GROUND : >=1200 V  
 -INSULATION RESISTANCE: >=5000 MOhms

ENVIRONMENTAL CHARACTERISTICS

- CLIMATIC CATEGORY: 55/125/56  
 TEMPERATURE RANGE -55°C TO +125°C  
 DAMP HEAT STEADY STATE 56 DAYS  
 SALT SPRAY 48 HOURS

MECHANICAL CHARACTERISTICS

- RETENTION AGAINST TORQUE: - Threaded insert: 0.7 N.m minimum  
 - Female screw : 0.5 N.m minimum

# DBML25S043

Series

Shell size: **E A B C D**  
 see sheet 2

Front accessory definition  
 see sheet 2

- Blank** :without accessory
- F** :floating mounting
- L** :threaded insert M3
- O** :threaded insert UNC 4-40
- V** :female screw UNC 4-40
- I** :female screw M3

Contact number (see sheet 2)

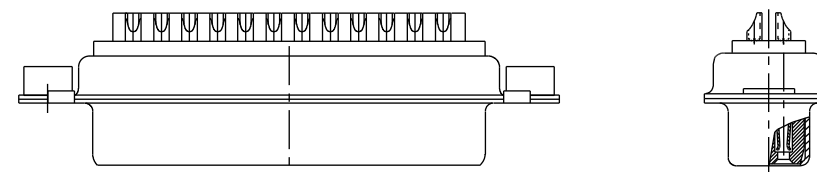
**9,15,25,37,50**

Contacts

**S** :Socket

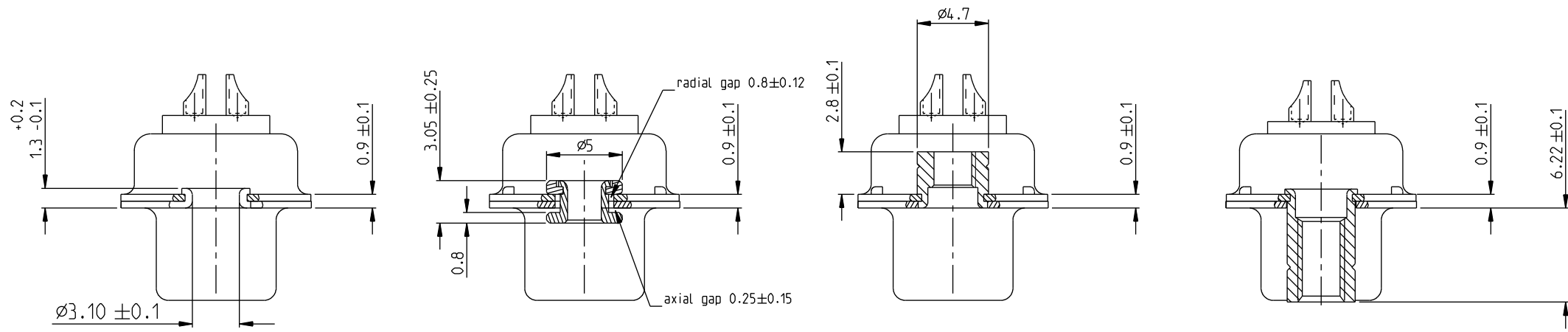
Plating

- Blank** :solder bucket 500 matings/unmatings
- 043** :solder bucket 500 matings/unmatings  
 for harsh environment



25 WAY for Example

www.fciconnect.com				surface ISO 1302	-	tolerance std ISO 406 ISO 1101	projection ISO 1101	mm
				TOLERANCES UNLESS OTHERWISE SPECIFIED				
Dr	M PESSON	2006/11/14		ANGULAR		0.X	±0.3	size A2
Eng	P LEGARE	2006/11/14		LINEAR		0.XX	±0.1	Scale 2:1
Chr	P LEGARE	2006/11/14		0° ±2°		0.XXX	±0.05	ECN LS07-0273
Appr	P LEGARE	2006/11/14		Product family		-		Spec ref
rev	ecn no	dr	date					
A	LS06-0174	MPE	2006/11/14					
B	LS07-0217	MLE	2007/08/22					
C	LS07-0273	MPE	2007/10/30					
D	F10-0072	LSA	2010/07/20					
-	-	-	-					
-	-	-	-					
-	-	-	-					
FCI title SUB FEMALE DM HE501 series				dwg no C01-8637-1733		Rev. D		
with solder bucket				CUSTOMER		sheet 1 of 4		



FRONT ACCESSORY	<b>Blank</b> without	<b>F</b> floating mounting	<b>L</b> insert M3 <b>O</b> insert UNC 4.40	<b>V</b> female screw UNC 4.40 <b>I</b> female screw M3
-----------------	----------------------	----------------------------	--	--

PART NUMBER	FRONT ACCESSORY
D*MxxS	without
D*MFxxS	floating mounting
D*MLxxS	insert M3
D*MOxxS	insert UNC 4.40
D*MVxxS	female screw UNC 4.40
D*MIxxS	female screw M3

shell size	Contact number
*	XX
E	09
A	15
B	25
C	37
D	50

PART NUMBER	FRONT ACCESSORY
D*MxxS043	without
D*MFxxS043	floating mounting
D*MLxxS043	insert M3
D*MOxxS043	insert UNC 4.40
D*MVxxS043	female screw UNC 4.40
D*MIxxS043	female screw M3

CROSS REFERENCES HE501 and FC1

HE501 P/N	FC1 P/N	FRONT ACCESSORY
HE501NxxAS	D*MxxS	without
HE501FxxAS	D*MFxxS	floating mounting

www.fciconnect.com		surface ISO 1302	- ✓	tolerance std ISO 406	ISO 1101	projection A2	mm
		TOLERANCES UNLESS OTHERWISE SPECIFIED					
Dr	M PESSON	2006/11/14	ANGULAR	0.X	±0.3	size	Scale
Eng	P LEGARE	2006/11/14	LINEAR	0.XX	±0.1	A2	2:1
Chr	P LEGARE	2006/11/14	0° ±2°	0.XXX	±0.05	ECN	LS07-0273
Appr	P LEGARE	2006/11/14	Product family	-		Spec ref	
FCI title		SUB FEMALE DM HE501 series		dwg no		C01-8637-1733	
		with solder bucket		-		Rev. D	
catalog no		-		CUSTOMER		sheet 2 of 4	

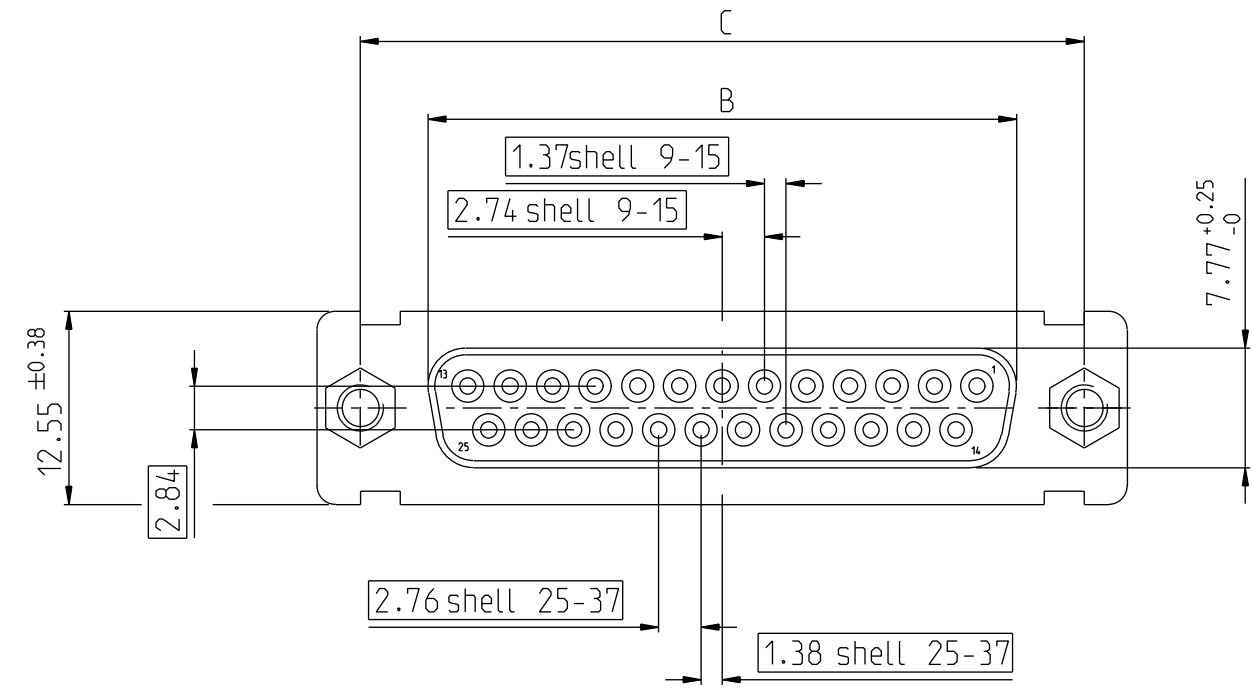
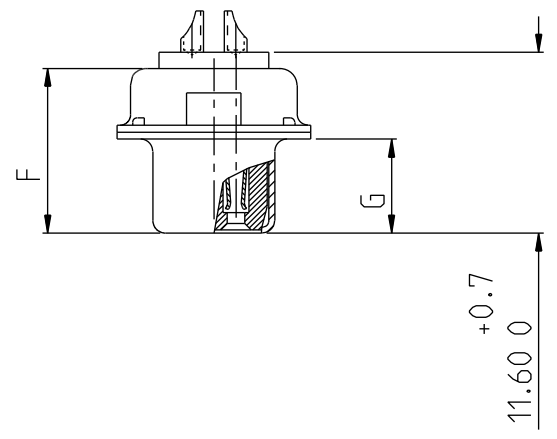
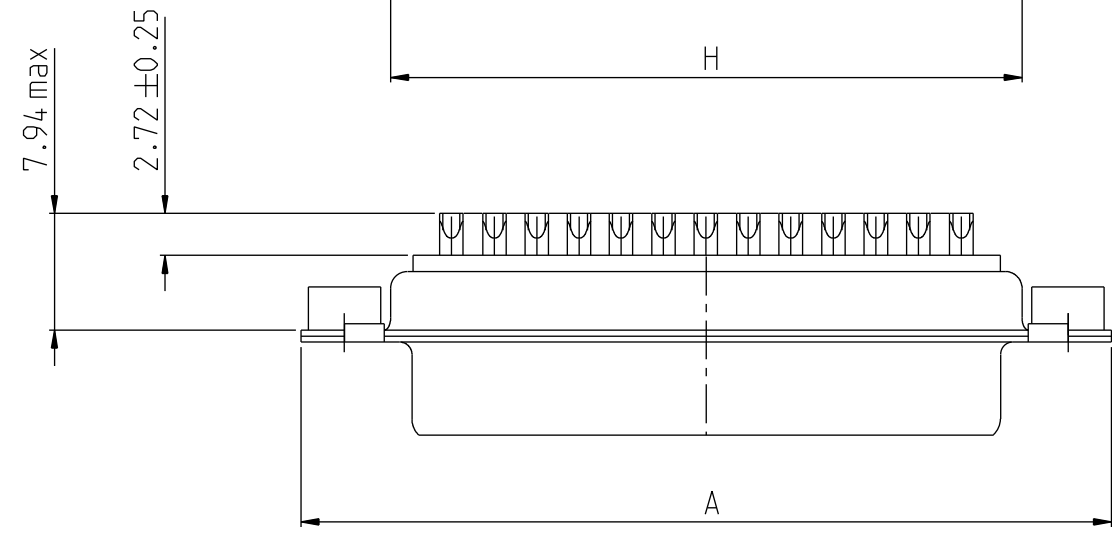
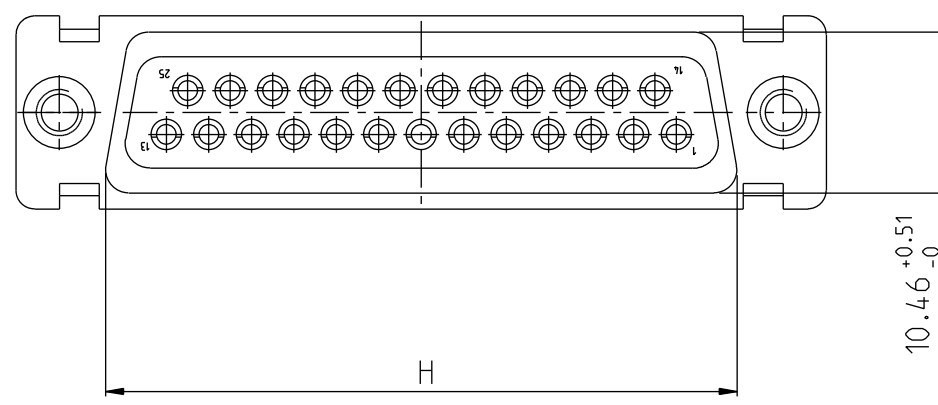
SCALE:4

Copyright FCI.

DIMENSIONS FOR SHELL E,A,B,C

Dimensions are in millimeters

Shell size	Number of contacts	A <sup>+0.76</sup> <sub>-0</sub>	B <sup>+0.25</sup> <sub>-0</sub>	C ±0.12	F <sup>+0.57</sup> <sub>-0</sub>	G <sup>+0.25</sup> <sub>-0</sub>	H <sup>+0.51</sup> <sub>-0</sub>
E	09	30.43	16.21	24.99	10.64	6.05	19.02
A	15	38.76	24.54	33.32	10.64	6.05	27.25
B	25	52.65	38.25	47.04	10.64	6.05	41.02
C	37	68.94	54.71	63.50	10.64	6.05	57.45

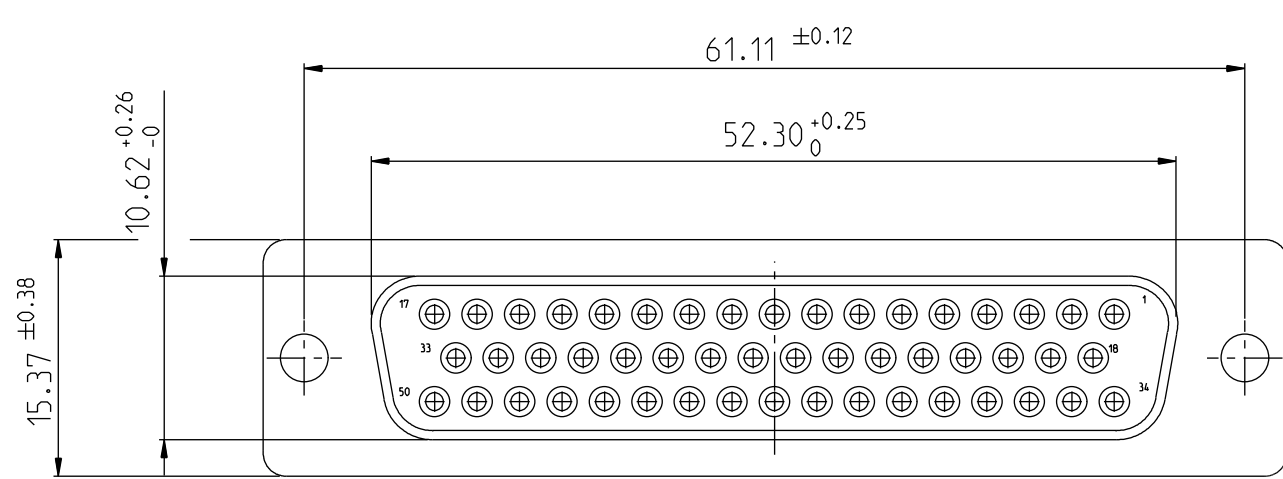
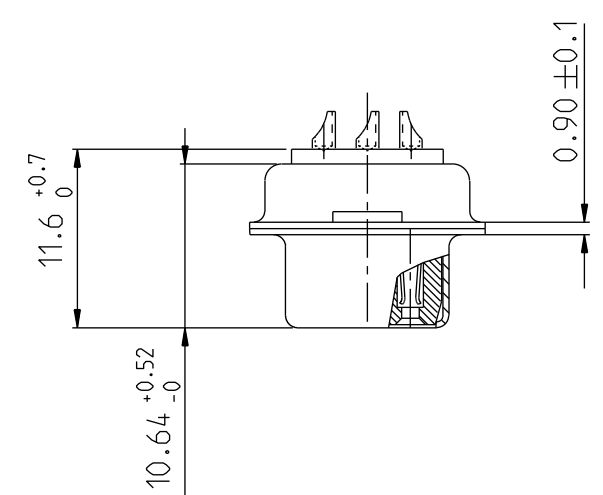
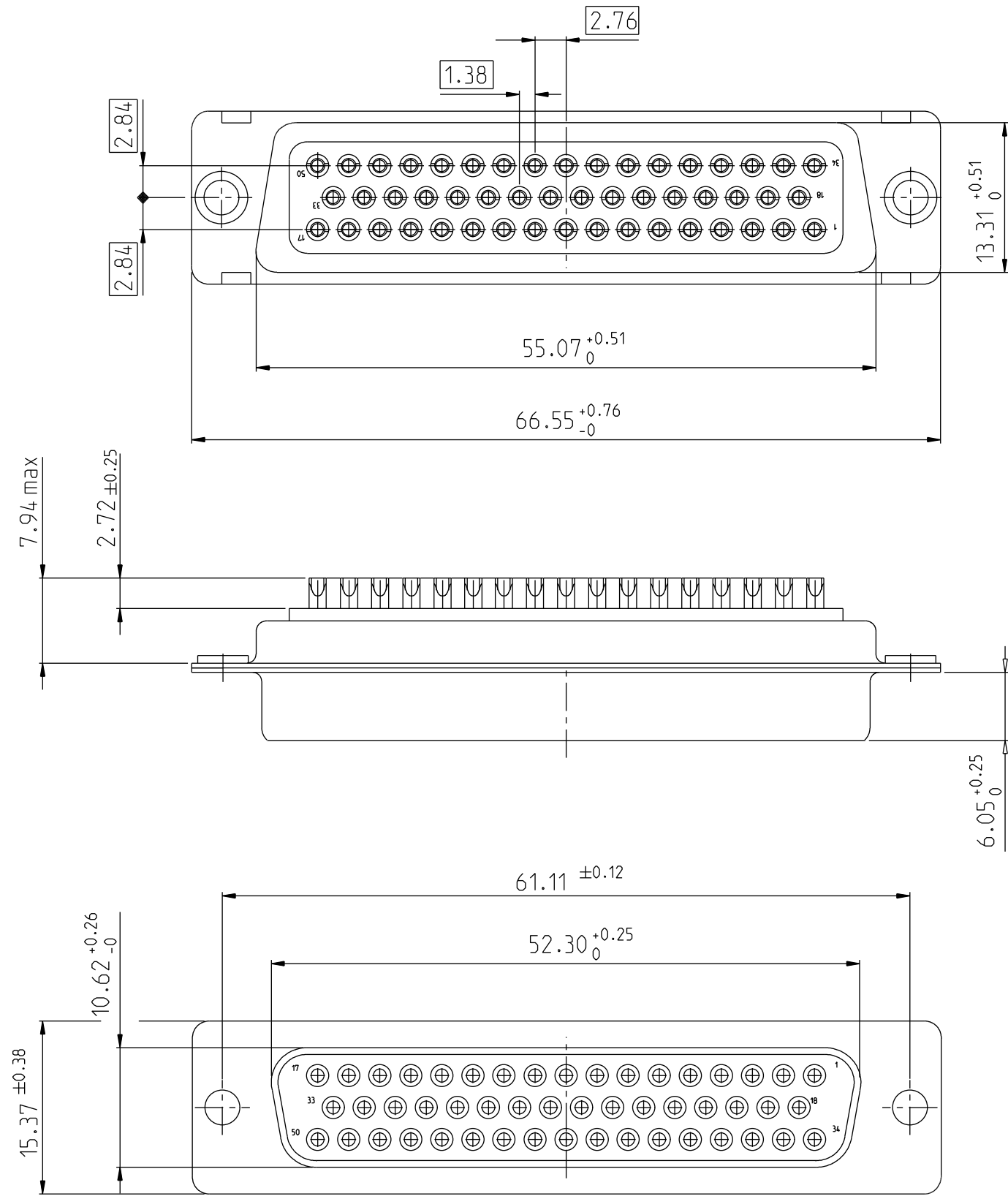


scale 3

www.fciconnect.com		surface ISO 1302	tolerance std ISO 406 ISO 1101	projection mm
		TOLERANCES UNLESS OTHERWISE SPECIFIED		
Dr	M PESSON	2006/11/14	ANGULAR	0.X ±0.3
Eng	P LEGARE	2006/11/14	LINEAR	0.XX ±0.1
Chr	P LEGARE	2006/11/14	0° ±2°	0.XXX ±0.05
Appr	P LEGARE	2006/11/14	Product family	- Spec ref
title SUB FEMALE DM HE501 series with solder bucket		dwg no C01-8637-1733		Rev. D
catalog no		CUSTOMER		sheet 3 of 4

Copyright FCI. FCI

DIMENSIONS FOR SHELL SIZE D (50 CONTACTS)



scale 3

www.fciconnect.com		surface ISO 1302	tolerance std ISO 406 ISO 1101	projection mm
		TOLERANCES UNLESS OTHERWISE SPECIFIED		mm
Dr	M PESSON	2006/11/14	ANGULAR	size A2
Eng	P LEGARE	2006/11/14	LINEAR	Scale 2:1
Chr	P LEGARE	2006/11/14	0° ±2°	ECN LS07-0273
Appr	P LEGARE	2006/11/14	Product family	- Spec ref
title SUB FEMALE DM HE501 series		dwg no C01-8637-1733		Rev. D
with solder bucket		CUSTOMER		sheet 4 of 4
catalog no				

Copyright FCI. FCI