

PART NO.	NUMBER OF CKTS	DIMN. A	DIMN. B	DIMN. C	DIMN. D	
93407-**-04	4	10.86	3.81	6.11	7.66	NOTE 7
93407-**-06	6	13.40	6.35	8.65	10.20	
93407-**-08	8	15.94	8.89	11.19	12.74	
93407-**-10	10	18.48	11.43	13.73	15.28	
93407-**-12	12	21.02	13.97	16.27	17.82	
93407-**-14	14	23.56	16.51	18.81	20.36	
93407-**-16	16	26.10	19.05	21.35	22.90	
93407-**-18	18	28.64	21.59	23.89	25.44	
93407-**-20	20	31.18	24.13	26.43	27.98	
93407-**-22	22	33.72	26.67	28.97	30.52	
93407-**-24	24	36.26	29.21	31.51	33.06	
93407-**-26	26	38.80	31.75	34.05	35.60	

93407 - * * * * CIRCUIT SIZE.

	PCB PEGS	TUBE PACKED	TAPE & REEL PACKED
0	YES	YES	NO
2	YES	NO	YES
3	NO	YES	NO
5	NO	NO	YES

0 = TIN VERSION
3 = PALLADIUM NICKEL VERSION

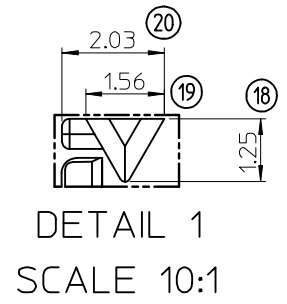
NOTES:

- MATERIAL HOUSING: PPA, GLASS-FILLED, COLOUR: BLACK, UL 94-HB TERMINAL: BRASS
- FINISHES: TERMINAL PALLADIUM NICKEL (PdNi); CONTACT AREA: SELECTIVE PdNi; 0.6 MICROMETRE MINIMUM UNDER 0.05 MICROMETRE MINIMUM GOLD FLASH. SMT TAILS: TIN (Sn); 3 MICROMETRE MIN. ALL OVER NICKEL UNDERPLATE. TIN: 3 MICROMETRE MINIMUM OVER NICKEL UNDERPLATE.
- PRODUCT SPECIFICATION: PS-99020-0011
- PACKAGING SPECIFICATION: FOR TAPE AND REEL SEE: PK-90816-006 FOR TUBE SEE: PK-90816-007
- MATES WITH MOLEX 90327 PART SERIES.
- ALL SMT TAILS TO LIE WITHIN A COPLANARITY BAND OF 0 - 0.10 MICROMETRE REF. FROM EACH OTHER.
- 4 CIRCUIT PART NOT AVAILABLE IN TAPE AND REEL.
- PCB PEGS ARE OPTIONAL.

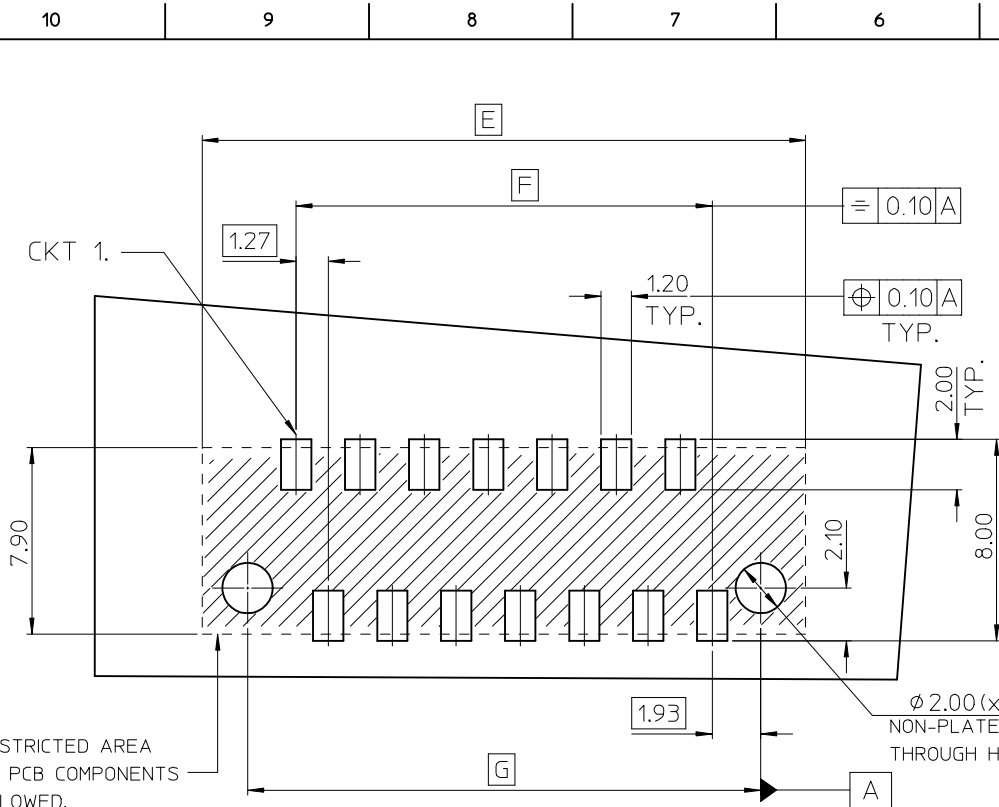
LAST INSPECTION NUMBER USED: 20

NOTE 8.

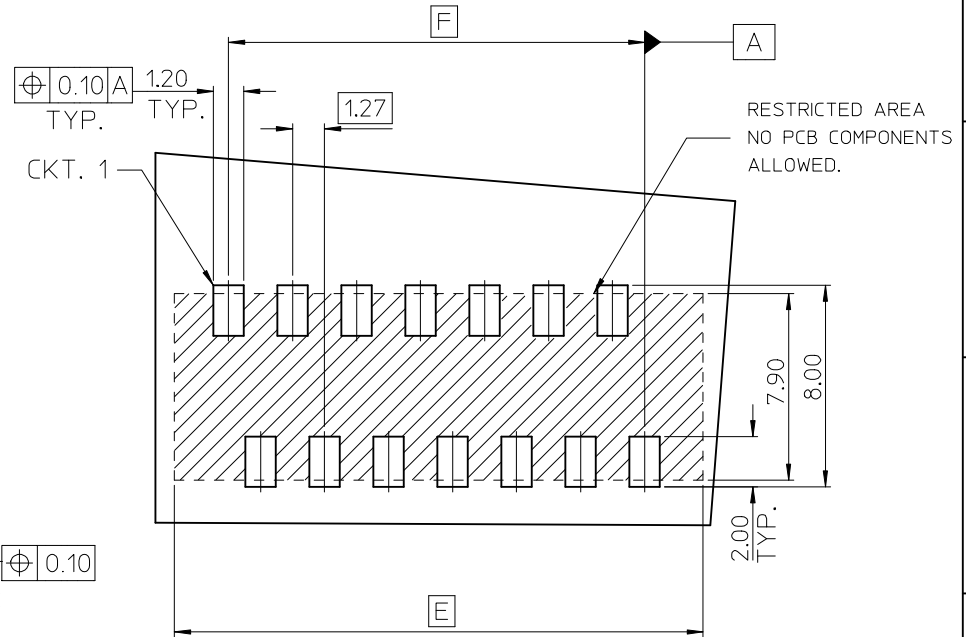
SEE DETAIL 1



MODIFIED PCB DIMS EC NO: IPG2013-0901 DRW: DBYRNES 2013/01/18 CHKD: MAHER 2013/01/22 APPR: STURIFFIN 2013/01/23	QUALITY SYMBOLS ▽=0 ◁=0	GENERAL TOLERANCES (UNLESS SPECIFIED) mm INCH 4 PLACES ± --- ± --- 3 PLACES ± --- ± --- 2 PLACES ± 0.25 ± --- 1 PLACE ± 0.35 ± --- 0 PLACE ± --- ± ---	DIMENSION STYLE MM ONLY DRAWN BY DATE DBYRNES 2012/05/29 CHECKED BY DATE DSHEA 2012/06/22 APPROVED BY DATE EFOLAN 2012/06/27	SCALE 5:1	DESIGN UNITS METRIC	THIRD ANGLE PROJECTION	REVERSE FOOTPRINT LATCHED PICOFLEX SMT HEADER DOCUMENT NO. SD-93407-001 SHEET NO. 1 OF 2
	DRAFT WHERE APPLICABLE MUST REMAIN WITHIN DIMENSIONS		MATERIAL NO. SEE CHART	THIS DRAWING CONTAINS INFORMATION THAT IS PROPRIETARY TO MOLEX INCORPORATED AND SHOULD NOT BE USED WITHOUT WRITTEN PERMISSION			
			SIZE A3				



RECOMMENED PCB THICKNESS 1.60±0.14
 PCB LAYOUT FOR CLEARANCE FIT WITH PCB PEGS
 VIEW FROM COMPONENT SIDE



PCB LAYOUT WITHOUT PCB PEGS
 VIEW FROM COMPONENT SIDE

93407-**-26	26	38.80	31.75	35.60
93407-**-24	24	36.26	29.21	33.06
93407-**-22	22	33.72	26.67	30.52
93407-**-20	20	31.18	24.13	27.98
93407-**-18	18	28.64	21.59	25.44
93407-**-16	16	16.10	19.05	22.90
93407-**-14	14	23.56	16.51	20.36
93407-**-12	12	21.02	13.97	17.82
93407-**-10	10	18.48	11.43	15.28
93407-**-08	08	15.94	08.89	12.74
93407-**-06	06	13.40	06.35	10.20
93407-**-04	04	10.86	03.81	07.66
PART No.	CKT SIZE	DIM. E	DIM. F	DIM. G

REFERENCE DIMENSIONS ONLY

MODIFIED PCB DIMS EC NO: IPG2013-0901 DRW:DBYRNES 2013/01/18 CHK:DMAHER 2013/01/22 APPR:ST.GRIFFIN 2013/01/23	QUALITY SYMBOLS	GENERAL TOLERANCES (UNLESS SPECIFIED)	DIMENSION STYLE MM ONLY	SCALE 5:1	DESIGN UNITS METRIC	THIRD ANGLE PROJECTION																																
	$\nabla=0$ $\sphericalangle=0$	<table border="1"> <tr><th></th><th>mm</th><th>INCH</th></tr> <tr><td>4 PLACES</td><td>± ---</td><td>± ---</td></tr> <tr><td>3 PLACES</td><td>± ---</td><td>± ---</td></tr> <tr><td>2 PLACES</td><td>± 0.25</td><td>± ---</td></tr> <tr><td>1 PLACE</td><td>± 0.35</td><td>± ---</td></tr> <tr><td>0 PLACE</td><td>± ---</td><td>± ---</td></tr> </table>		mm	INCH	4 PLACES	± ---	± ---	3 PLACES	± ---	± ---	2 PLACES	± 0.25	± ---	1 PLACE	± 0.35	± ---	0 PLACE	± ---	± ---	<table border="1"> <tr><th>DRAWN BY</th><th>DATE</th><th>TITLE</th></tr> <tr><td>DBYRNES</td><td>2012/05/29</td><td rowspan="4">REVERSE FOOTPRINT LATCHED PICO FLEX SMT HEADER</td></tr> <tr><th>CHECKED BY</th><th>DATE</th></tr> <tr><td>DSHEA</td><td>2012/06/22</td></tr> <tr><th>APPROVED BY</th><th>DATE</th></tr> <tr><td>EFOLAN</td><td>2012/06/27</td></tr> </table>	DRAWN BY	DATE	TITLE	DBYRNES	2012/05/29	REVERSE FOOTPRINT LATCHED PICO FLEX SMT HEADER	CHECKED BY	DATE	DSHEA	2012/06/22	APPROVED BY	DATE	EFOLAN	2012/06/27		DOCUMENT NO. SD-93407-001	SHEET NO. 2 OF 2
		mm	INCH																																			
	4 PLACES	± ---	± ---																																			
3 PLACES	± ---	± ---																																				
2 PLACES	± 0.25	± ---																																				
1 PLACE	± 0.35	± ---																																				
0 PLACE	± ---	± ---																																				
DRAWN BY	DATE	TITLE																																				
DBYRNES	2012/05/29	REVERSE FOOTPRINT LATCHED PICO FLEX SMT HEADER																																				
CHECKED BY	DATE																																					
DSHEA	2012/06/22																																					
APPROVED BY	DATE																																					
EFOLAN	2012/06/27																																					
DRAFT WHERE APPLICABLE MUST REMAIN WITHIN DIMENSIONS	MATERIAL NO. SEE SHEET 1																																					
SIZE A3	THIS DRAWING CONTAINS INFORMATION THAT IS PROPRIETARY TO MOLEX INCORPORATED AND SHOULD NOT BE USED WITHOUT WRITTEN PERMISSION																																					