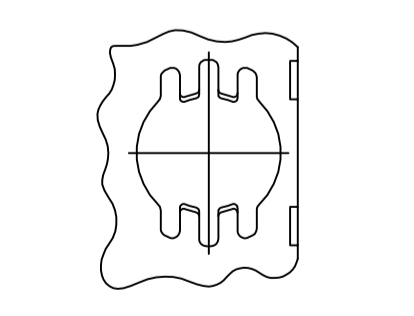
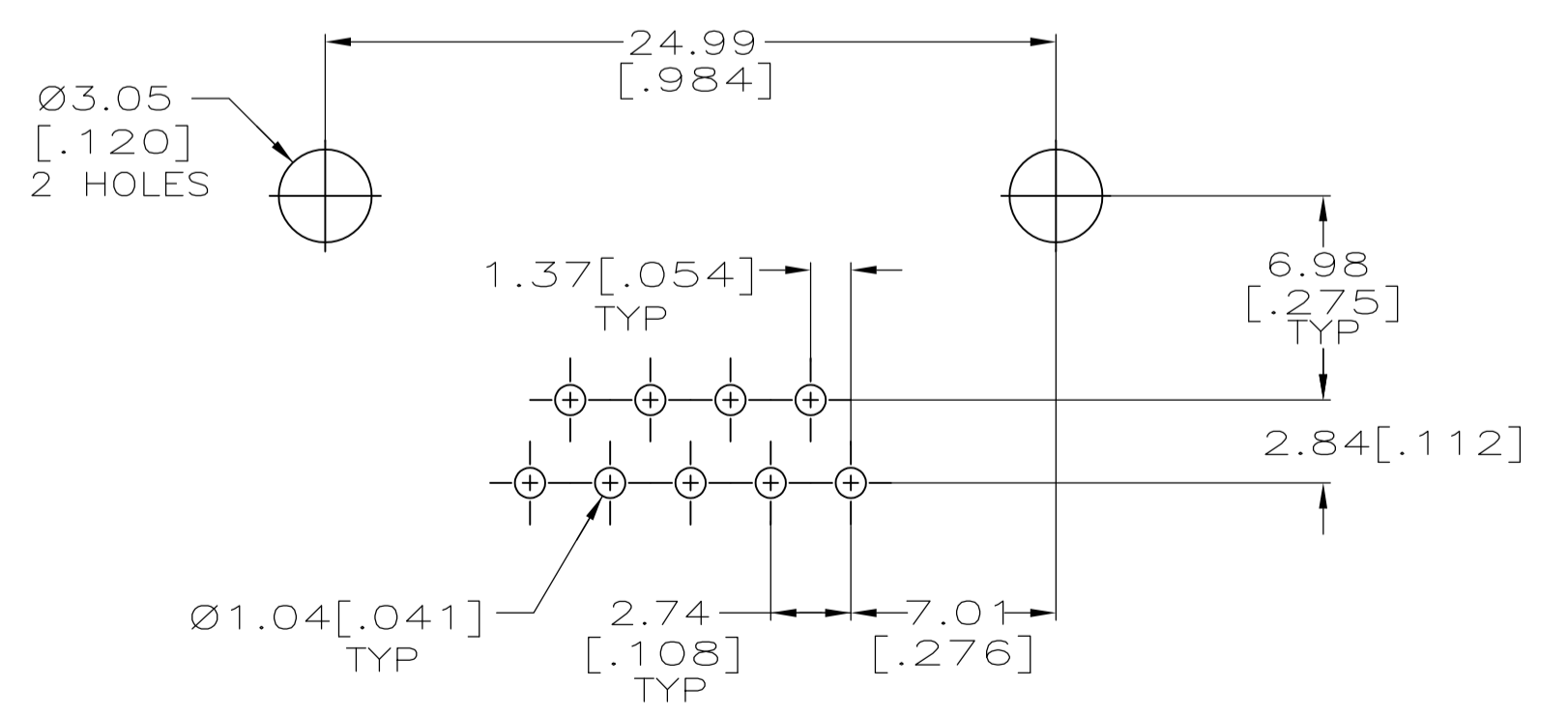
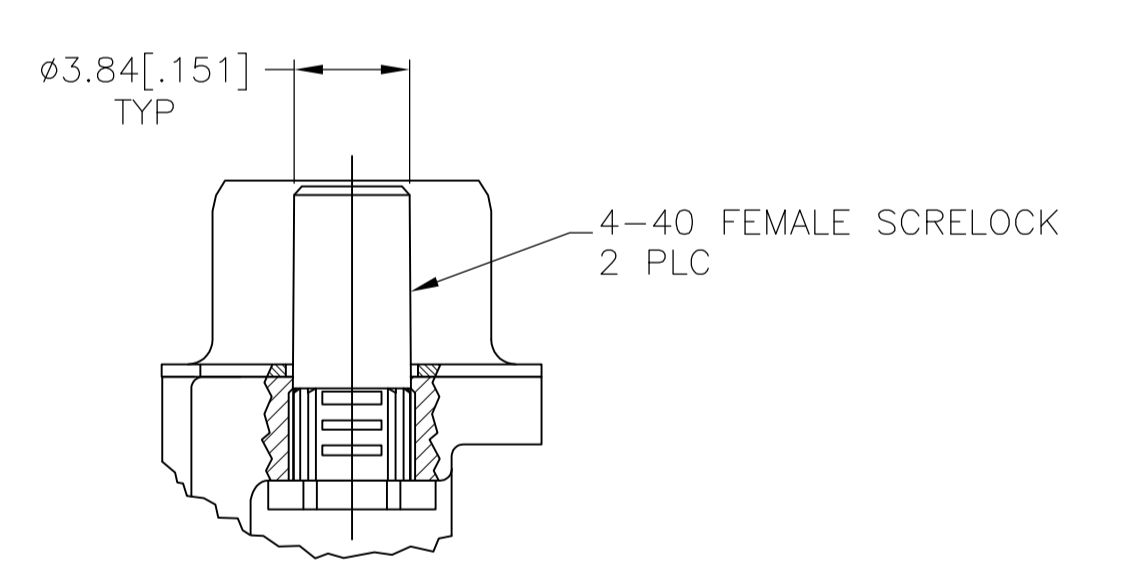
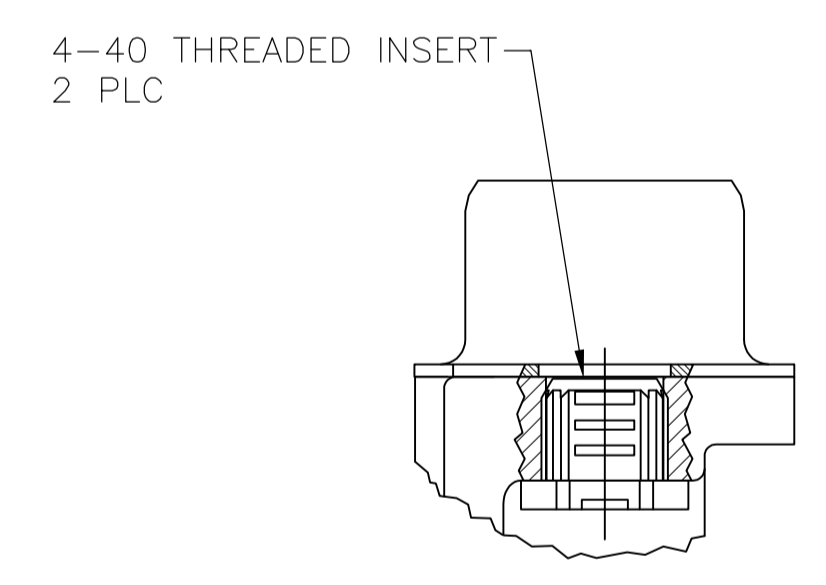
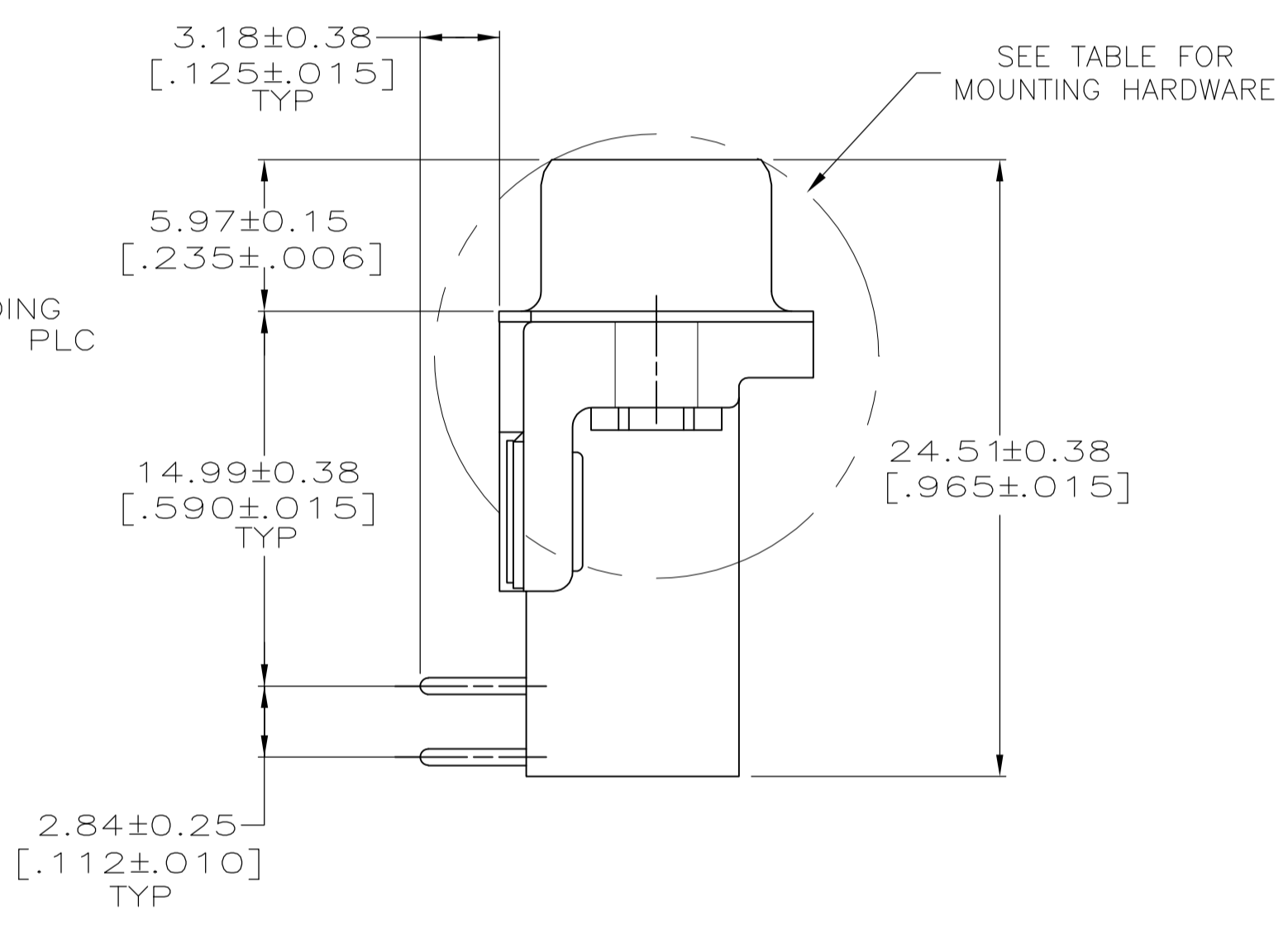
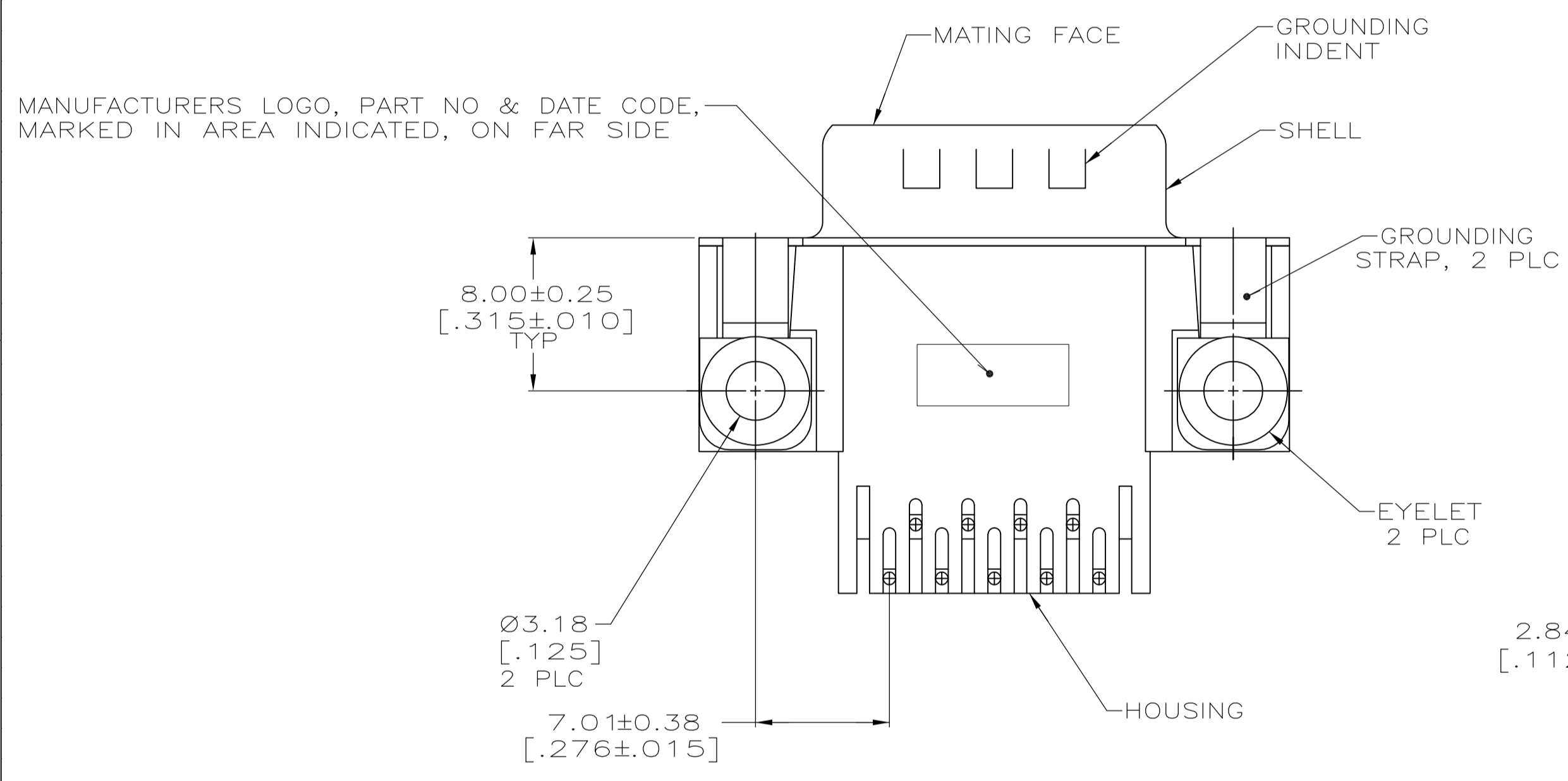


- 1 HOUSING: NYLON OR POLYESTER, FLAME RETARDANT, UL 94V-0 RATED, GLASS FILLED, BLACK, CONTACTS: BRASS, SHELL: CARBON STEEL, EYELETS: BRASS, INSERTS & SCREWLOCKS: ZINC
- 2 SHELL: $2.54 \mu\text{m}$ [0.000100] MIN TIN OVER $1.27 \mu\text{m}$ [0.000050] MIN COPPER. EYELETS: $2.54 \mu\text{m}$ [0.000100] MIN TIN OVER COPPER FLASH. INSERTS & SCREWLOCKS: CLEAR CHROMATE, CONTACTS: SEE TABLE
- 3 GOLD FLASH ON THE MATING SURFACES, $2.54 \mu\text{m}$ (.000100) MIN TIN PLATE ON THE SOLDER END, $1.27 \mu\text{m}$ (.000050) MIN NICKEL UNDERPLATE ON THE ENTIRE CONTACT.
- 4 $0.76 \mu\text{m}$ (.000030) MIN GOLD PLATE ON THE MATING SURFACES, $2.54 \mu\text{m}$ (.000100) MIN TIN PLATE ON THE SOLDER END, $1.27 \mu\text{m}$ (.000050) MIN NICKEL UNDERPLATE ON THE ENTIRE CONTACT -OR- GOLD FLASH OVER PALLADIUM-NICKEL PLATE, $0.76 \mu\text{m}$ (.000030) MIN TOTAL ON THE MATING SURFACES, $2.54 \mu\text{m}$ (.000100) MIN TIN PLATE ON THE SOLDER END, $1.27 \mu\text{m}$ (.000050) MIN NICKEL UNDERPLATE ON THE ENTIRE CONTACT.



FOR -6 ONLY

DETAIL F
2 PLC

SEE DETAIL E	△	5745990-6
SEE DETAIL D	△	5745990-4
SEE DETAIL D	△	5745990-3
MOUNTING HARDWARE	△	PART NUMBER

THIS DRAWING IS A CONTROLLED DOCUMENT. DIMENSIONING AND TOLERANCING PER ASME Y14.5M-2009.

DIMENSIONS:	TOLERANCES UNLESS OTHERWISE SPECIFIED:	APVD	DATE
mm [INCHES]	0 PLC ± -	A. FERNANDEZ-DUCKS	04-08-05
	1 PLC ± -	S. BOLASH	04-08-05
	2 PLC ± 0.13[0.005]	M. WALMSLEY	04-08-05
	3 PLC ± -		
	4 PLC ± -		
	ANGLES ± 2°		

MATERIAL: 1 FINISH: 2

APVD: A. FERNANDEZ-DUCKS DATE: 04-08-05 NAME: M. WALMSLEY DATE: 04-08-05

PRODUCT SPEC: 108-40025

APPLICATION SPEC: 114-40010

SIZE: A1

WEIGHT: 00779

CUSTOMER DRAWING

SCALE: 1:1 SHEET: 1 OF 1 REV: D

STE TE Connectivity

PLUG ASSEMBLY, SIZE 1, 9 POSITION, RIGHT ANGLE, FRONT METAL SHELL, .590 SERIES, AMPLIMITE HD-20