

IEC Appliance Inlet C14 with Line Switch 1- or 2-pole



Inlet with line switch



KPF Filter Module
(not enclosed)



Description

- Panel Mount :
Sandwich/rear-side
- 2 Functions :
Appliance Inlet Protection class I , Line Switch 1- and 2- pole
- For PCB mounting

Approvals

- Approval Reference Type: KP01
- VDE Certificate Number: 40029369
- UL File Number: E96454
- CSA File Number: 38456
- CCC File Number: 2013010204592940

Characteristics

- Panel mount from rear or "sandwich" between top and bottom/side to side panels
PCB mount with snap-in or screw-on feet (self tapping screws Ø 3 x 8 mm)
- All single elements are already wired
- Line switch non-illuminated
- Insulation cover on the rear-side
- Suitable for use in equipment according to IEC/UL 60950

Other versions on request

- Solder terminals
- Quick-connect terminals
- Line switch, illuminated (only 2-pole version)
- Line switch with other rocker marking
- For protection class II

References

Alternative: version with line filter [KPF](#)
We recommend for new applications the new type [DC21](#)

Weblinks

[pdf datasheet](#), [html-datasheet](#), [General Product Information](#), [RoHS](#), [CHINA-RoHS](#), [REACH](#), [Distributor-Stock-Check](#), [Accessories](#), [Detailed request for product](#)

Newly available variants corresponding to V-Lock mating cordset. The connector is equipped with a notch intended for use with the latching cordset. The cord latching system prevents against accidental removal of the cordset.

Technical Data

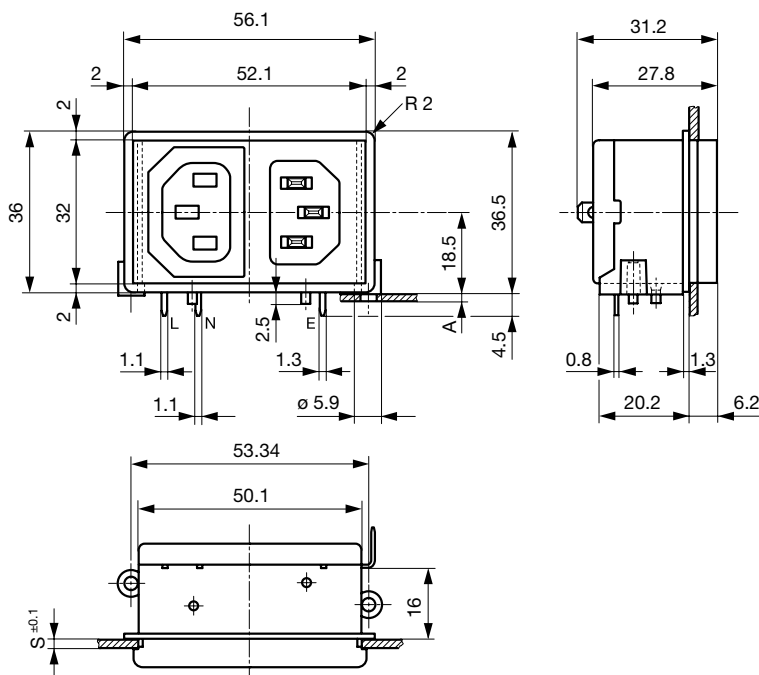
Ratings IEC	10A / 250VAC; 50Hz
Ratings UL/CSA	15A / 250VAC; 60Hz
Dielectric Strength	> 2.3kVAC between L-N > 2.8kVAC between L/N-PE (1 min/50Hz)
Allowable Operation Temperature	-25 °C to 70 °C
IP-Protection	from front side IP 40 acc. to IEC 60529
Insulation cover	Suitable for appliances with protection class I acc. to IEC 61140
Terminal	For PCB mounting Quick connect terminals 4.8 x 0.8 mm Solder terminal on request
Panel Thickness s	Snap-in: 1.5/2/2.5/3 mm
Material: Housing	Thermoplastic, black, UL 94V-0

appliance inlet/-outlet	C14 acc. to IEC 60320-1, UL 498, CSA C22.2 no. 42 (for cold conditions) pin-temperature 70 °C, 10A, Protection Class I
Line Switch	Rocker switch 1 or 2 pole, non-illuminated, acc. to IEC 61058-1 Technical Details

Detailed information on product approvals, code requirements, usage instructions and detailed test conditions can be looked up in [General Product Information](#)

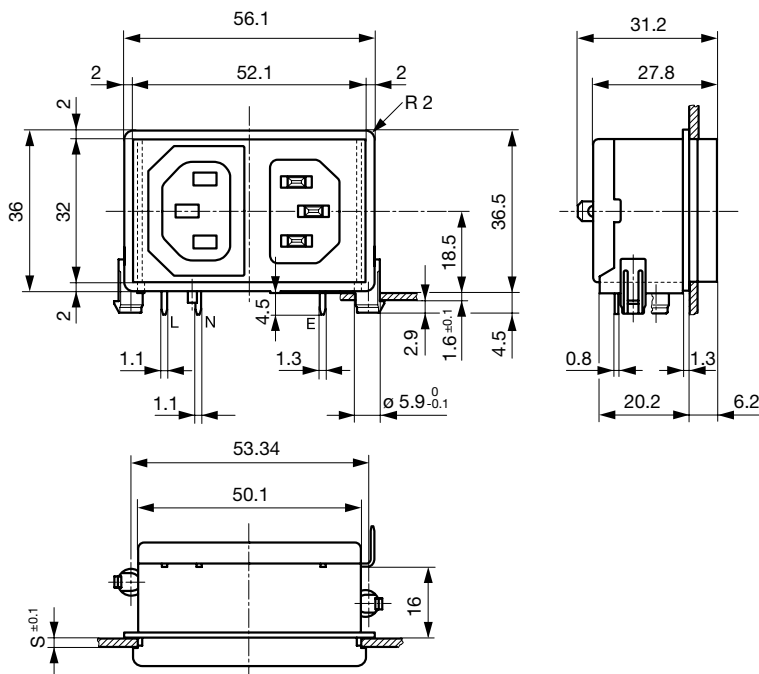
Dimensions

Screw-on mounting



A = for PCB-thickness 1.2/1.6/2.0/2.4 mm
Additional quick connect terminal 4.8 x 0.8 mm

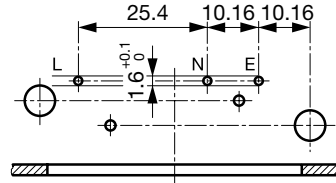
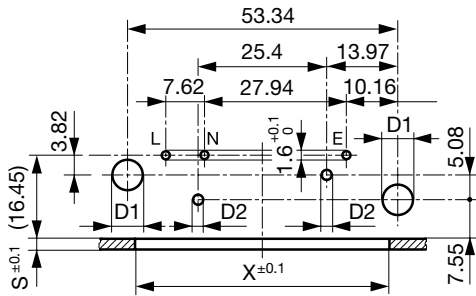
Snap-in mounting



Additional quick connect terminal 4.8 x 0.8 mm
s = panel thickness

For 2-pole inlet/switch, 2-pole inlet fuseholder and inlet/outlet

oFr combinations:
Inlet/switch 1-pole, inlet/fuseholder 1-pole



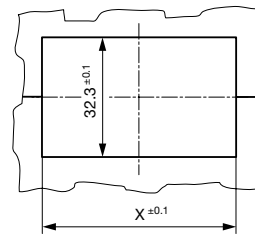
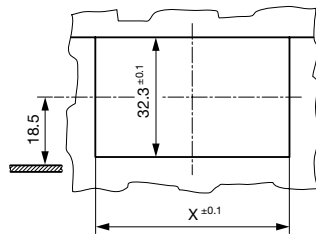
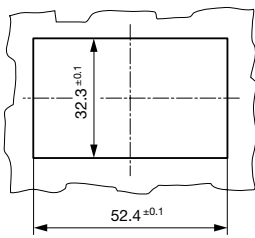
d1 = 6 ± 0.05 für (snap-in)
d1 = 3.6 (screw-on)
d2 = 2.1 + 0.1/-0 (screw-on)
Dimensions without tolerance:
≤ 15 = ± 0.05; ≥ 15 = ± 0,1

S and X see mounting holes

Mounting holes for backside mounting

Sandwich mounting holes

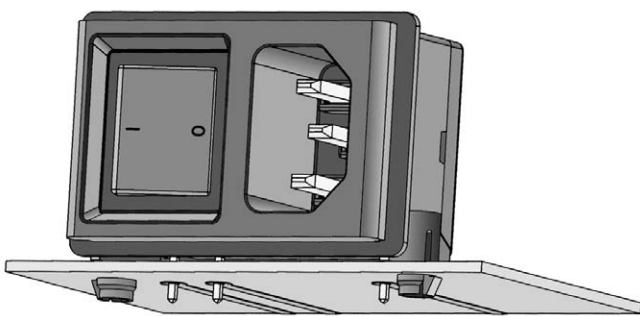
Sandwich mounting holes



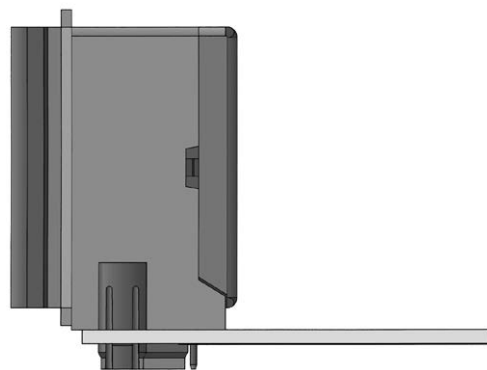
X = 48.4 at S = 1.5 and 2.5
X = 50.4 at S = 2.0 and 3.0

X = 48.4 at S = 1.5 and 2.5
X = 50.4 at S = 2.0 and 3.0

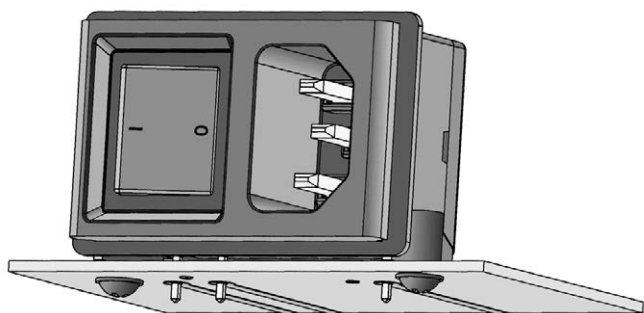
Assembly Instructions



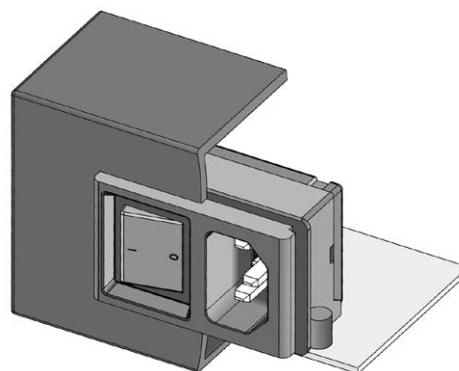
Stable snap feet requires minimal insertion force



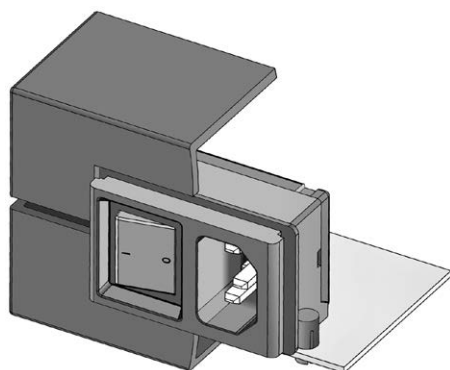
Module must lay flat on the PCB when soldering



Screw-on mount
uses self-tapping screws

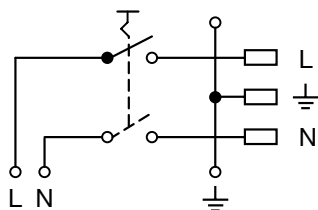


Insertion from behind



"Sandwich" mounting with split
enclosure panels

Diagrams



Inlet with line switch

All Variants

Panel mounting	Panel Thickness s [mm]	PCB [mm]	Line Switch	Fuseholder	Connector	V-Lock	Order Number
Snap-in	2	1.6	1-pole	-	-		KP01.1212.11
Snap-in	2	1.6	2-pole	-	-		KP01.1112.11
Snap-in	3	1.6	1-pole	-	-		KP01.1213.11
Snap-in	3	1.6	2-pole	-	-		KP01.1113.11
Screw	2	1.2/1.6/2.0/2.4	1-pole	-	-		KP01.1252.11
Screw	2	1.2/1.6/2.0/2.4	2-pole	-	-		KP01.1152.11
Screw	3	1.2/1.6/2.0/2.4	1-pole	-	-		KP01.1253.11
Screw	3	1.2/1.6/2.0/2.4	2-pole	-	-		KP01.1153.11

Most Popular.

Availability for all products can be searched real-time: <http://www.schurter.com/en/Stock-Check/Stock-Check-SCHURTER>

Type KP without cover: KP01.XXXX.XX90

Ground Terminal with solder pin: KP01.XXXX.X3XX

Packaging unit 50 Pcs

Mating Outlets/Connectors

Category / Description



Appliance Outlet Overview complete

IEC Appliance Outlet F, Screw-on Mounting, Front Side, Solder Terminal	4787
IEC Appliance Outlet F, Snap-in Mounting, Front Side, Solder or Quick-connect Terminal	4788
IEC Appliance Outlet F or H, Screw-on Mounting, Front Side, Solder, PCB or Quick-connect Terminal	5091

[Appliance Outlet further types to KP \(Switch\)](#)

Connector Overview complete



4782 Mounting: Power Cord, 3 x 1 mm ² / 3 x 18 AWG, Cable, Connector: IEC C13	4782
4022 Mounting: Power Supply Cord, 3 x 1.5 mm ² , Screw clamps, Connector: IEC C13	4022
4785 Mounting: Power Cord, 3 x 1 mm ² / 3 x 18 AWG, Cable, Connector: IEC C13	4785
4300-06 Mounting: Power Cord, 3 x 1 mm ² / 3 x 18 AWG, Cable, Connector: IEC C13	4300-06
4012 Mounting: Power Supply Cord, 3 x 1.5 mm ² , Screw clamps, Connector: IEC C13	4012

[Connector further types to KP \(Switch\)](#)

...

Mating Outlets/Connectors shuttered



Power Cord Overview complete

VAC13KS, Overview, diverse Connector IEC C13, cord end:	VAC13KS
---------------------------------------------------------	---------

[Power Cord further types to KP \(Switch\)](#)