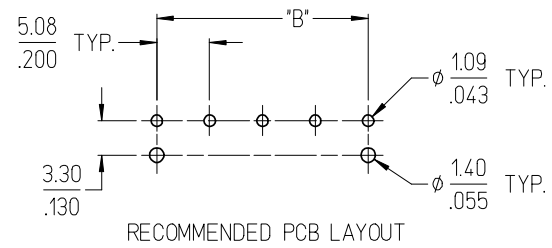
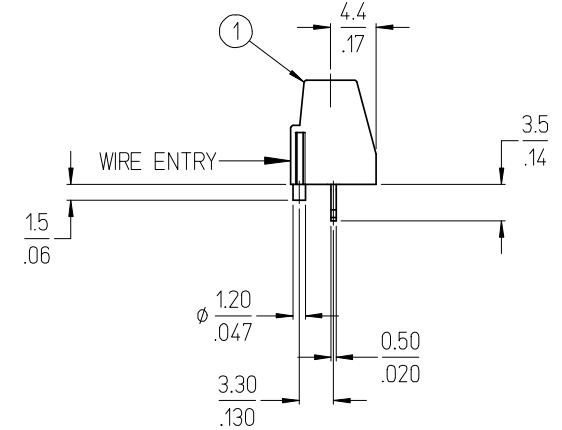
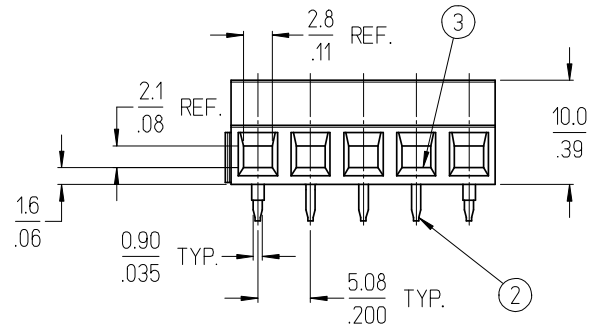
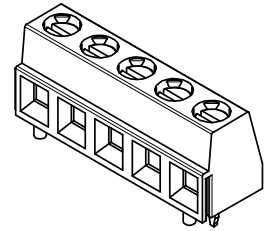
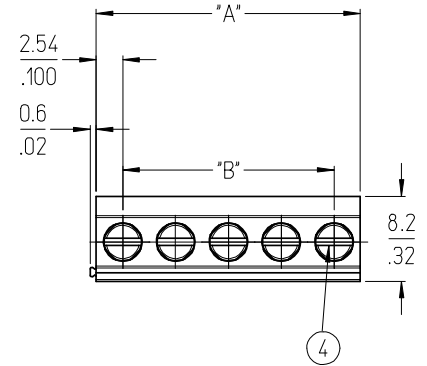


NO. OF CIRC. "XX"	DIM. "A"		DIM. "B"		MATERIAL NUMBER
	mm	in	mm	in	
02	10.2	.40	5.08	.200	398890042
03	15.2	.60	10.16	.400	
04	20.3	.80	15.24	.600	
05	25.4	1.00	20.32	.800	398890043
06	30.5	1.20	25.40	1.000	398890044



- NOTES:
1. MATERIAL: SEE TABLE
  2. FINISHES: SEE TABLE
  3. "XX" REFERS TO QUANTITY OF CIRCUITS.
  4. WIRE RANGE: 30 - 14 AWG
  5. RATED VOLTAGE: 300V
  6. RATED CURRENT: 17.5 A
  7. RECOMMENDED TIGHTENING TORQUE: 0.5 N-m (4.4 lbf-in)  
MAXIMUM TIGHTENING TORQUE: 0.6 N-m (5.3 lbf-in)
  8. WIRE STRIP LENGTH: 6 mm (.24 in).
  9. OPERATING TEMPERATURE: -40°C TO 105°C.
  10. POLARIZING PEGS ARE ONLY ON END CIRCUITS.
  11. ASSEMBLY IS ROHS COMPLIANT.

ITEM	QTY.	DESCRIPTION	MATERIAL	FINISH
4	XX	SCREW, M3	COPPER ALLOY	NICKEL PLATED
3	XX	CLAMP, RISING	COPPER ALLOY	NICKEL PLATED
2	XX	TERMINAL	COPPER ALLOY	TIN PLATED
1	1	HOUSING, UL94 V-0	PA66	BLACK

INITIAL RELEASE EC NO: ETC2008-0119 DRWN: CLYORK 2008/03/28 CHKD: JMACNEIL 2008/04/10 APPR: JMACNEIL 2008/04/18 A	QUALITY SYMBOLS ▽=0 ▽=0	GENERAL TOLERANCES (UNLESS SPECIFIED)		DIMENSION STYLE MM/IN		SCALE 2:1	DESIGN UNITS METRIC	THIRD ANGLE PROJECTION		
		4 PLACES ± --- ± ---	mm	INCH	DRAWN BY C. YORK	DATE 2007/11/30	TITLE 5.08MM [.200] FIXED, EUROSTYLE, W/POLARIZING PEGS			
		3 PLACES ± --- ± .005			CHECKED BY J. MACNEIL	DATE 2007/11/30	MOLEX INCORPORATED			
		2 PLACES ± 0.13 ± .01			APPROVED BY J. MACNEIL	DATE 2007/11/30	MATERIAL NO. SEE CHART	DOCUMENT NO. SD-39889-003	SHEET NO. 1 OF 1	
		1 PLACE ± 0.25 ± ---		ANGULAR ± 2 °		DRAFT WHERE APPLICABLE MUST REMAIN WITHIN DIMENSIONS				
THIS DRAWING CONTAINS INFORMATION THAT IS PROPRIETARY TO MOLEX INCORPORATED AND SHOULD NOT BE USED WITHOUT WRITTEN PERMISSION										