

H G F E D C B A

4

3

2

1

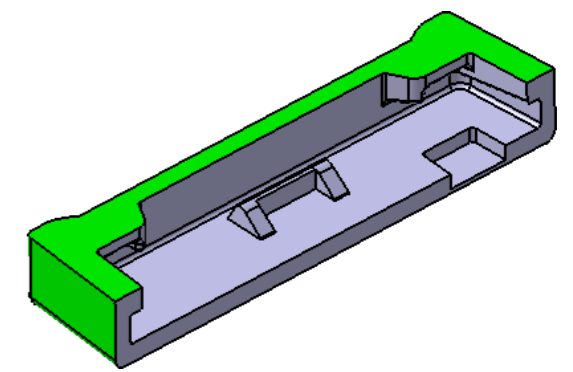
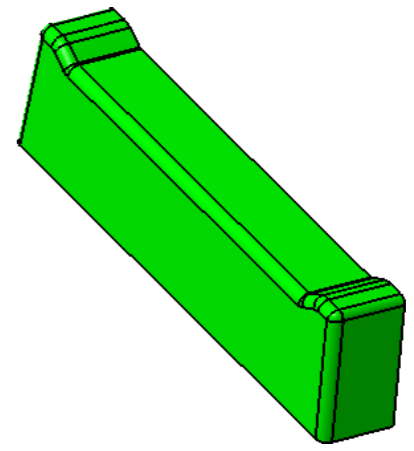
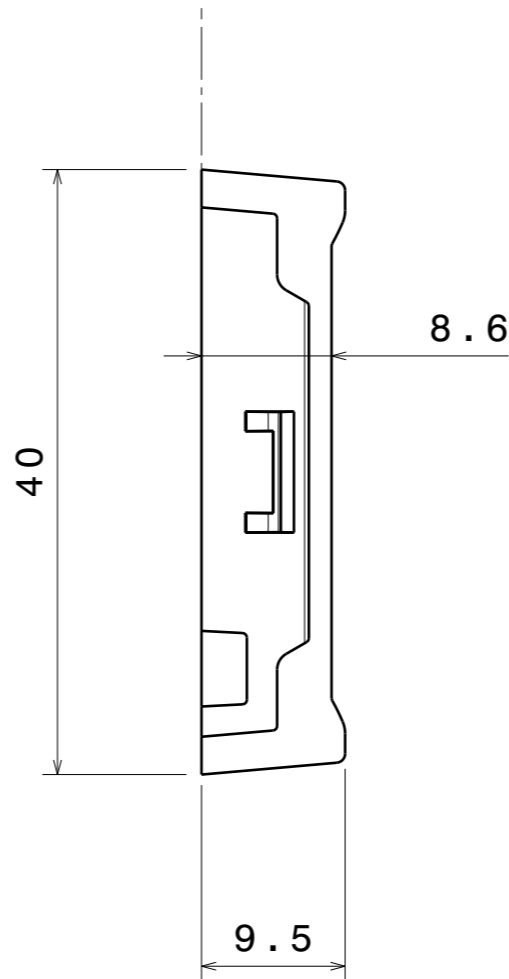
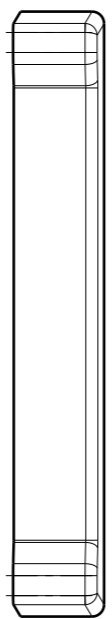
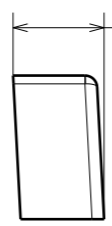
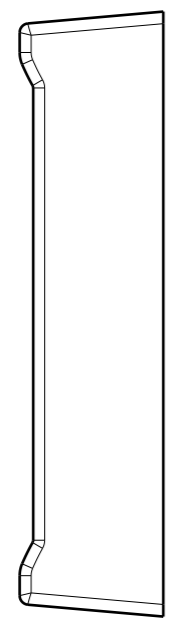
4

3

2

1

6.02



INDEX	PART NO	DESCRIPTION	MATERIAL	COLOUR
1	F15856	LINNEA-END-MS	PC	Clear

Tolerances if not otherwise shown  
 According to DIN ISO 2768-1  
 Linear measures:  
 Up to 30mm class M, otherwise class C.  
 According to DIN ISO 2768-2  
 Form and position: class L

**LEDiL** LediL Oy  
 Salorankatu 10  
 FIN 24240 SALO  
 Finland

THIRD ANGLE PROJECTION:

DRAWING TITLE  
 F15856\_LINNEA-END-MS Datasheet

This drawing is the property  
 of LEDiL Oy. It may not be  
 reproduced, copied or  
 communicated without a written  
 agreement with LEDiL Oy.

SIZE PART NUMBER  
**A3** **F15856**

20160923 SCALE 1:1 WEIGHT 1,09 g SHEET 1/1

H G B A