

NOTES:

ELECTRICAL:

1. VOLTAGE RATING: 125 VAC RMS MIN.
2. CURRENT RATING: 1.5 AMP MIN.
3. CONTACT RESISTANCE: 30 MILLIOHMS MAX.
4. INSULATION RESISTANCE: 1000 MEGOHMS MIN @ 500 VDC.
5. DIELECTRIC STRENGTH: 1000 VAC RMS 60Hz, 1MIN.

MECHANICAL:

1. HOUSING MATERIAL: GLASS FILLED PBT UL94V-0.
2. HOUSING COLOR : BLACK
3. CONTACT MATERIAL: PHOSPHOR BRONZE $\phi 0.46\text{mm}$.
3. PLATING : GOLD PLATING OVER NICKEL.
4. OPERATING LIFE : 750 CYCLES MIN.
5. PCB RETENTION PRE-SOLDER: 1 LB MIN.
6. PCB RETENTION POST-SOLDER: 10 LBS MIN.

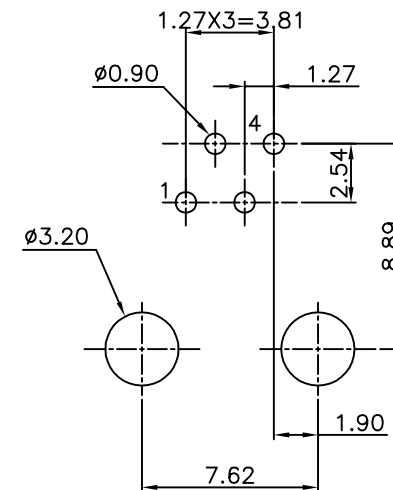
ENVIRONMENTAL:

1. STORAGE TEMPERATURE: -40°C TO $+85^{\circ}\text{C}$.
2. OPERATION TEMPERATURE: -40°C TO $+85^{\circ}\text{C}$.
3. WAVE SOLDERING TEMPERATURE: 230°C TO 250°C (3~5 SECONDS).
4. RoHS COMPLIANT.

MATES WITH MODULAR PLUG CONFORMING TO FCC PART 68, SUBPART F.

CUL FILE NO. E163191

PART NUMBER	GOLD PLATING
E5244-000032-L	15u"
E5244-000033-L	30u"



PC Board Layout T=1.6mm
Component Side Shown Tolerance $\pm 0.05\text{mm}$

DETACHED LISTS		RoHS Compliant				
	TOLERANCES EXCEPT AS NOTED		TITLE TOP ENTRY PCB JACK 4P			
	MM	±				
.0 ± 0.2	±	DFTO Cathy		DRAWING NO. CE523005-LC		
.00 ± 0.15	±	DATE 2006/09/26		/PART NO. SEE TABLE		
.000 ± 0.075	±	SCALE :		DO NOT SCALE DRAWING		
ANGLES ± 0.5		SHEET 1		OF 1		
THIRD ANGLE PROJECTION						