


SIGN	DATE	DESCRIPTION	APPROVER

THIS IS CAD DRAWING, DO NOT REVISE MANUALLY!!!

Material

- Solid PIN: Brass(CuZn)
- Surface of solder tail: Tin plated.
- Insulator (housing): Thermoplastic (UL94V-0)

Electrical

- Voltage rating: 300V
- Current rating: 10A
- Withstanding Voltage: 1.6KV
- Operating temperature: -30°C to +105°C
- Soldering temperature: 250°C±10°C/5 Sec
- Safety Approval: us

RoHS Compliant

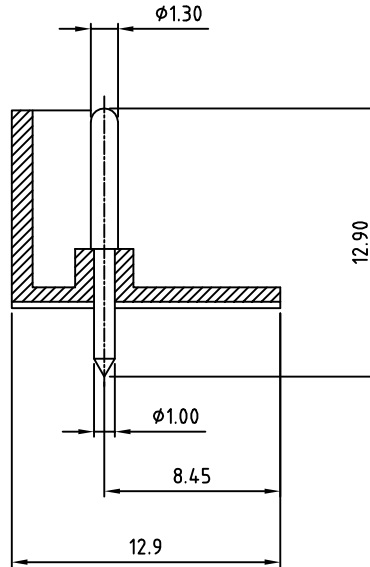
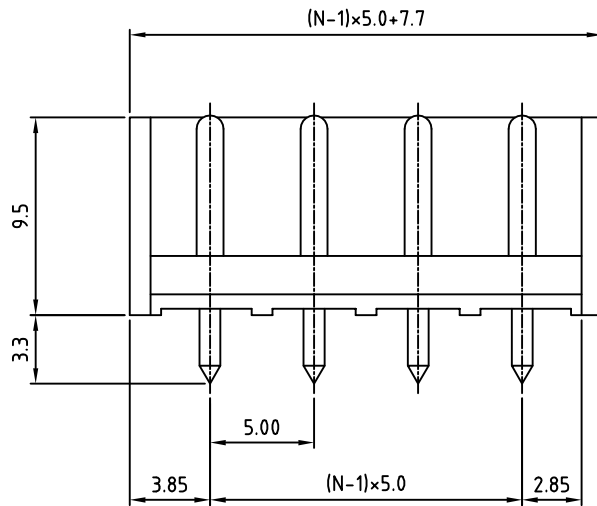
PART NUMBER:

OSTEXXX0000

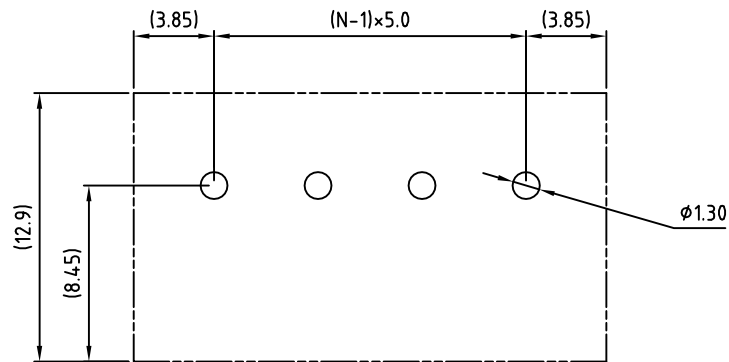
No. of Poles
02-24

COLOR

- 0: Black (Standard)
- 2: Red
- 5: Green
- 6: Blue



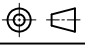
N = Number of contacts



PCB. LAYOUT

THESE DRAWINGS AND SPECIFICATIONS ARE THE PROPERTY OF ON-SHORE TECHNOLOGY, INC. AND SHALL NOT BE REPRODUCED, COPIED OR USED IN ANY MANNER WITHOUT THE PRIOR WRITTEN CONSENT OF ON-SHORE TECHNOLOGY, INC.



TITLE		OSTEX 5.0 Series, with shroud, closed end, vertical, 12.9mm pin, 02-24 positions				
PART NO.		OSTEXXX0000		DWG NO. OSTEXXX0000.DWG		
APPROVED	CHECKED	DESIGNED	DRAWN	CUST NO.	Tolerance	
	Marvin 2006.12.11	Marvin 2006.12.11	Marvin 2006.12.11		X. ±0.50 X.X ±0.30 X.XX ±0.10 X° ±1°	
					UNIT: mm	
					SCALE: NONE	
				SHEET: 01/01	REV.: A	