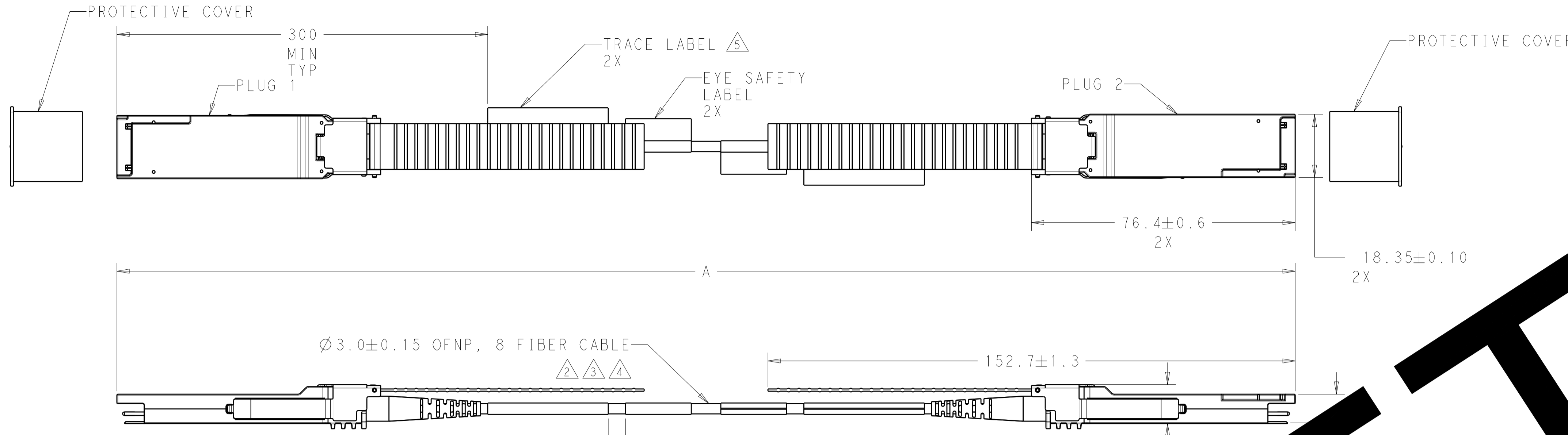
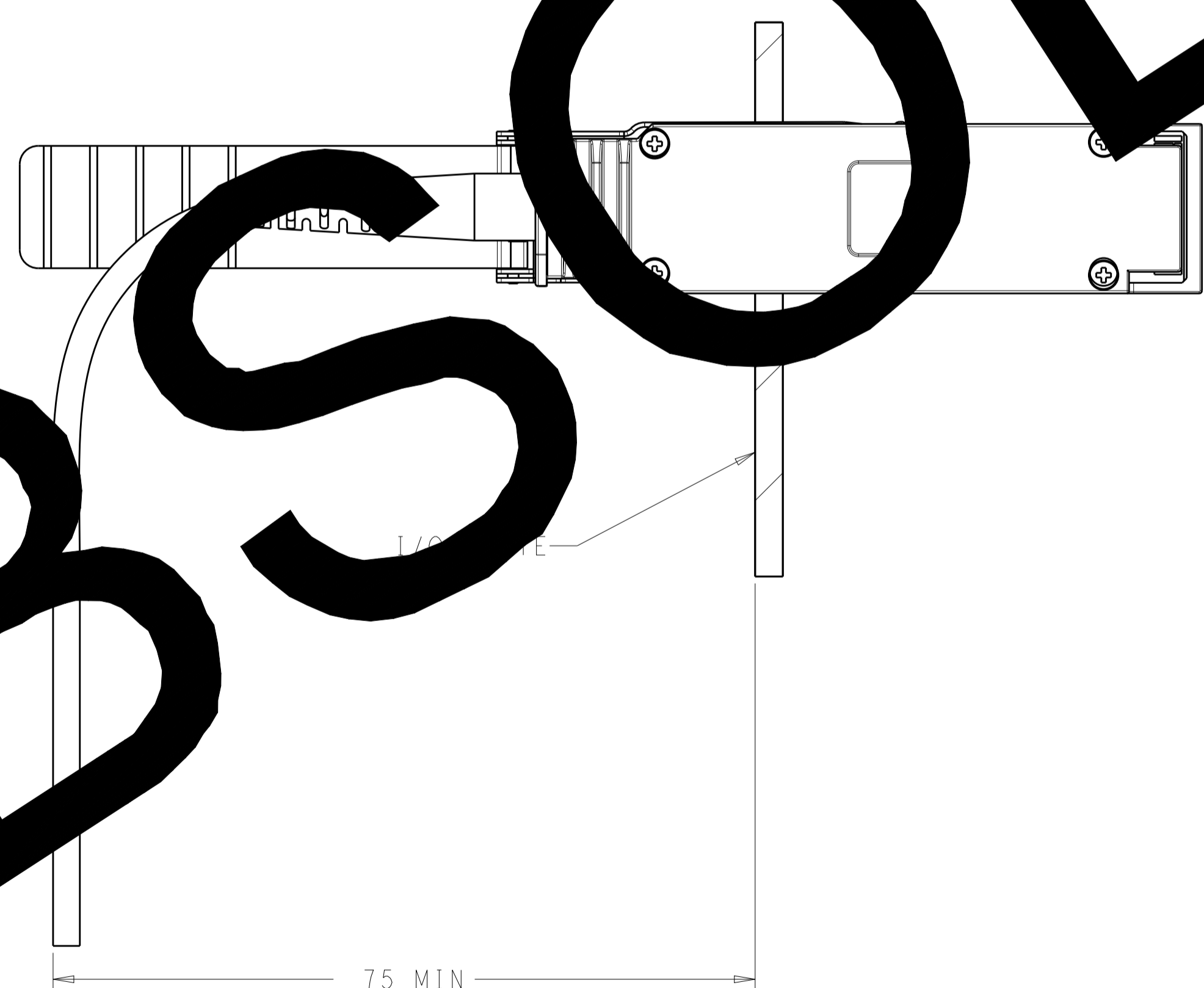
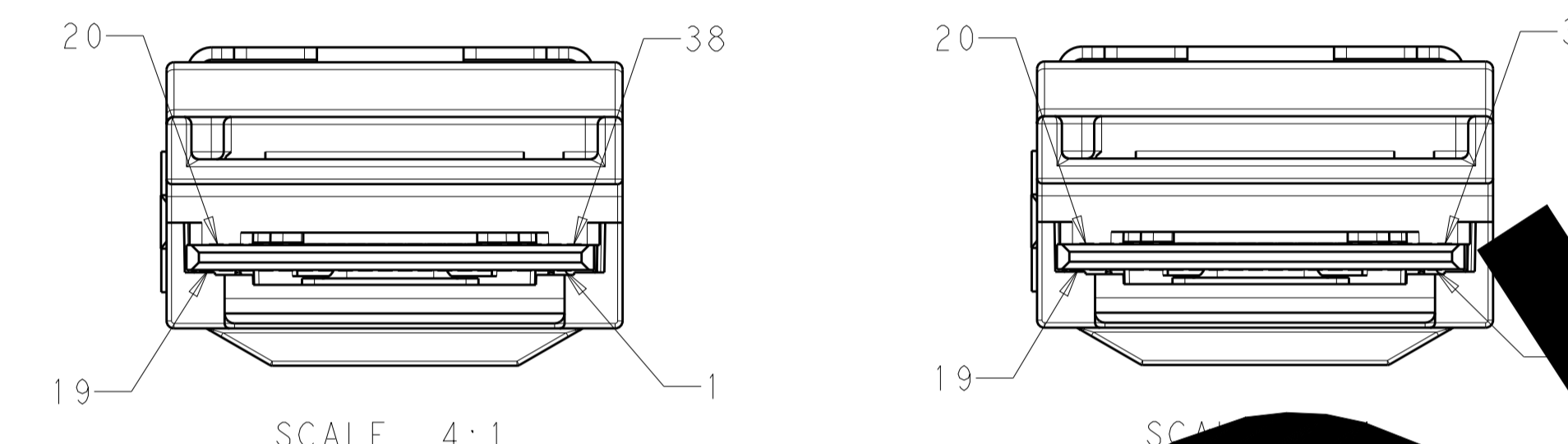
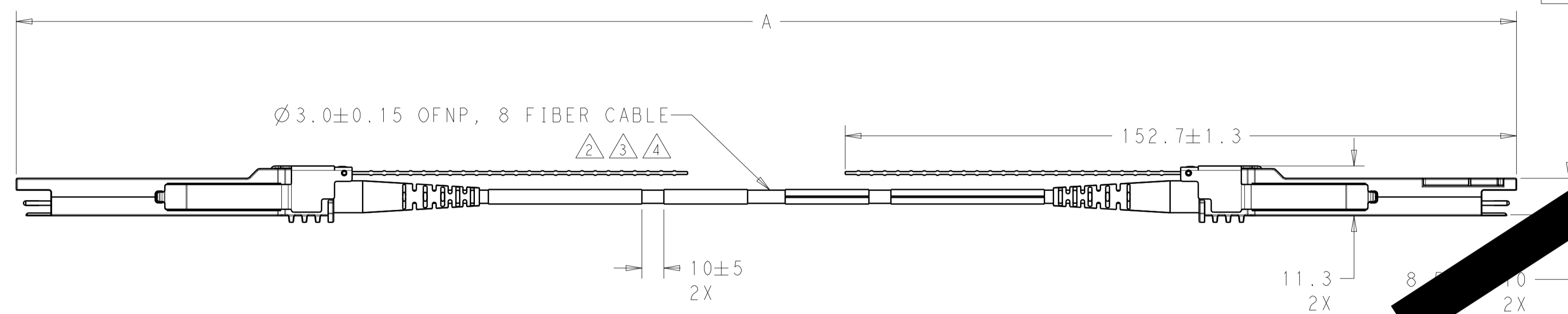


| LOC | DIST | REVISIONS | | | | | |
|-----|------|-----------|-----|----------------------------|-----------|-----|------|
| CE | 00 | P | LTN | DESCRIPTION | DATE | DWN | APVD |
| | | G | | ECR-15-001919 | 05FEB2015 | SW | RZ |
| | | G1 | | OBSOLETE PER ECR-16-006201 | 08JUL2016 | DEH | JC |



1. CONFORMS TO 8-1773461-8 PRODUCT PERFORMANCE REQUIREMENTS, VERIFIED IN ACCORDANCE WITH 501-122042.
- ⚠ CAUTION! CUTTING CABLE MAY RESULT IN HAZARDOUS RADIATION EXPOSURE.
- ⚠ CONFORMS TO GR-409-CORE INTERCONNECT CABLE REQUIREMENTS.
- ⚠ STAINLESS STEEL OM2 CABLE TO BE USED FOR LENGTHS UP TO 30 METERS, OM3 CABLE FOR LENGTHS OVER 30 METERS.
- ⚠ SEE TRACE LABEL FOR CABLE IDENTIFICATION.
- ⚠ CHASSIS GROUND IS ISOLATED FROM SIGNAL GROUND (GND) IN THE CHASSIS AND CONNECTOR.
- ⚠ THESE CABLES ARE NOT CARRIED THROUGH TO THE OTHER END, SINCE EACH END OF THE CABLE IS POWERED SEPARATELY.
8. THE QSFP MODULES IMPLEMENT THE I²C INTERFACE DESCRIBED IN SFF-8633 REV 1.0.
9. EEPROM PROGRAM NUMBER 2123909.EEPROM_CD REV G. CONTAINS FIRMWARE REVISION 6.15.



OBSOLETE

| | |
|-----------|-------------|
| 21±0.21 | 2-2123909-4 |
| 19±0.19 | 2-2123909-3 |
| 18±0.18 | 2-2123909-2 |
| 17±0.17 | 2-2123909-1 |
| 16±0.16 | 2-2123909-0 |
| 14±0.15 | 1-2123909-9 |
| 13±0.15 | 1-2123909-8 |
| 12±0.15 | 1-2123909-7 |
| 11±0.15 | 1-2123909-6 |
| 9±0.15 | 1-2123909-5 |
| 8±0.15 | 1-2123909-4 |
| 7±0.15 | 1-2123909-3 |
| 1±0.15 | 1-2123909-2 |
| 100±0.15 | 1-2123909-1 |
| 50±0.50 | 1-2123909-0 |
| 40±0.40 | 2123909-9 |
| 30±0.30 | 2123909-8 |
| 25±0.25 | 2123909-7 |
| 20±0.20 | 2123909-6 |
| 15±0.15 | 2123909-5 |
| 10±0.15 | 2123909-4 |
| 5±0.15 | 2123909-3 |
| 3±0.15 | 2123909-2 |
| 2±0.15 | 2123909-1 |
| ⚠ A / (m) | PART NUMBER |

THIS DRAWING IS A CONTROLLED DOCUMENT.

DWN: B. FAIR 13JUNE2013
 CHK: B. BRIGGS 13JUNE2013
 APVD: D. BAECHTLE 13JUNE2013

STE TE Connectivity

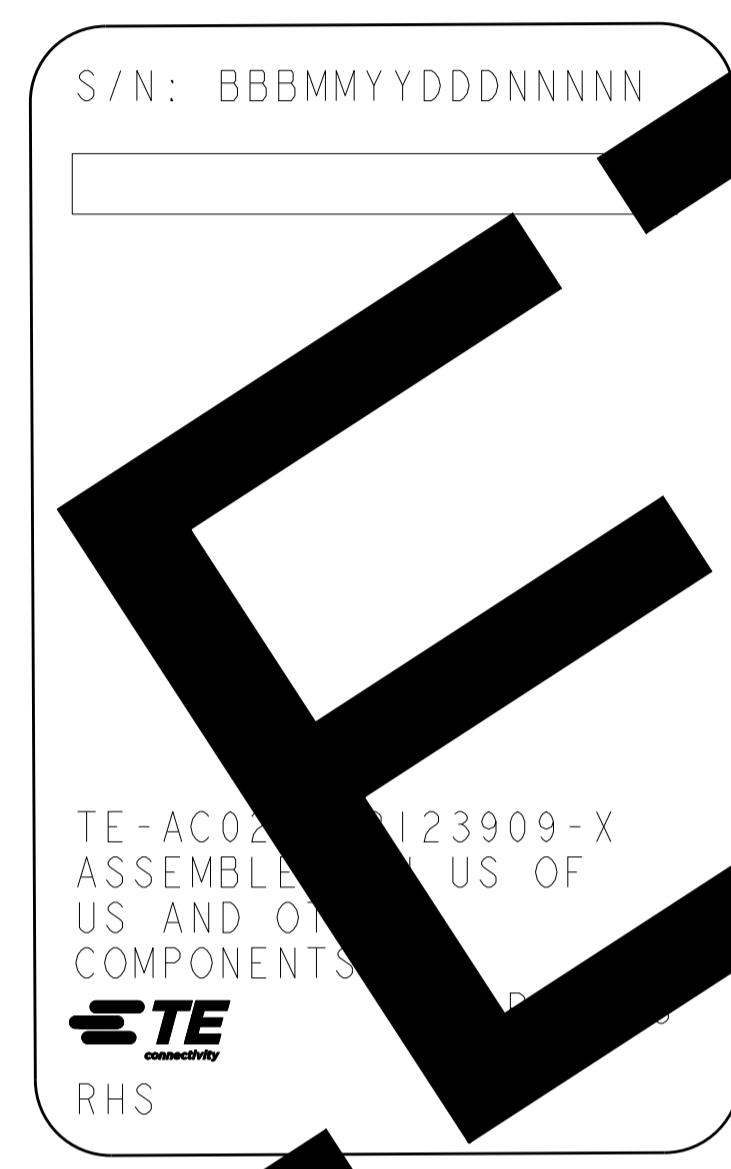
NAME: 40GbE, QSFP+(10), PARALIGHT, AOCA
 PRODUCT SPEC: -
 APPLICATION SPEC: -

SIZE: A1 CAGE CODE: 100779 DRAWING NO: 2123909 RESTRICTED TO: -
 WEIGHT: -
 Customer Drawing SCALE: 5:4 SHEET: 1 OF 2 REV: G1

| LOC | DIST | REVISIONS | | | |
|-----|------|-------------|------|-----|------|
| P | LTN | DESCRIPTION | DATE | DWN | APVD |
| - | - | SEE SHEET 1 | - | - | - |
| | | | | | |
| | | | | | |

| QSFP | |
|---------|---------|
| PIN NO. | SIGNAL |
| 1 | GND |
| 2 | Tx2n |
| 3 | Tx2p |
| 4 | GND |
| 5 | Tx4n |
| 6 | Tx4p |
| 7 | GND |
| 8 | ModSeIL |
| 9 | ResetL |
| 10 | Vcc Rx |
| 11 | SCL |
| 12 | SDA |
| 13 | GND |
| 14 | Rx3p |
| 15 | Rx3n |
| 16 | GND |
| 17 | Rx1p |
| 18 | Rx1n |
| 19 | GND |
| 20 | GND |
| 21 | Rx2n |
| 22 | Rx2p |
| 23 | GND |
| 24 | Rx4n |
| 25 | Rx4p |
| 26 | GND |
| 27 | ModPrsL |
| 28 | InTL |
| 29 | Vcc Tx |
| 30 | Vcc1 |
| 31 | LPMode |
| 32 | GND |
| 33 | Tx3p |
| 34 | Tx3n |
| 35 | GND |
| 36 | Tx1p |
| 37 | Tx1n |
| 38 | GND |

OBSOLETE



BAR CODE

TE-AC02- = PREFIX (LAST SAFETY ID)
 X-2123909-X = TE 171 PART NUMBER

SERIAL NUMBER BBBMMYYDDNNNNN
 BB = BUILDING NUMBER
 YY = MANUFACTURING LOCATION
 DD = TWO DIGIT YEAR
 NNNN = ORDINAL DATE
 NNNNN = FIVE DIGIT SERIAL NUMBER

COUNTRY OF ORIGIN
 WHEN MANUFACTURED
 OUTSIDE THE US LABEL
 MUST READ "MADE IN XXXXX",
 WHERE XXXXX REPRESENTS
 THE COUNTRY OF MANUFACTURING.

TE LOGO & CUSTOMER PRINT REV

THE LABEL INFORMATION
 LAST SAFETY IDENTIFICATION IS BASED ON THE PREFIX
 AND THE ONLY MANUFACTURE VISIBLE ON
 THE LABEL.

| | | | |
|--|--|-----------------------------------|--|
| THIS DRAWING IS A CONTROLLED DOCUMENT. | | DWN B. FAIR 13JUNE2013 | TE Connectivity NAME 40GbE, QSFP+(10), PARALIGHT, AOCA |
| DIMENSIONS: | | CHK B. BRIGGS 13JUNE2013 | |
| mm | TOLERANCES UNLESS OTHERWISE SPECIFIED: | APVD D. BAECHTLE 13JUNE2013 | PRODUCT SPEC |
| | 0 PLC ± | APPLICATION SPEC | SIZE CAGE CODE DRAWING NO |
| | 1 PLC ± | RESTRICTED TO | A100779C=2123909 |
| | 2 PLC ± | | SCALE 5:4 SHEET 2 OF 2 REV G1 |
| | 3 PLC ± | | |
| | 4 PLC ± | | |
| | ANGLES ± | | |
| MATERIAL | FINISH | WEIGHT | Customer Drawing |