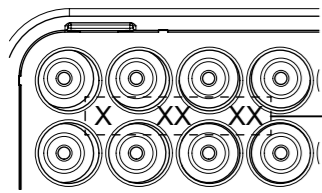
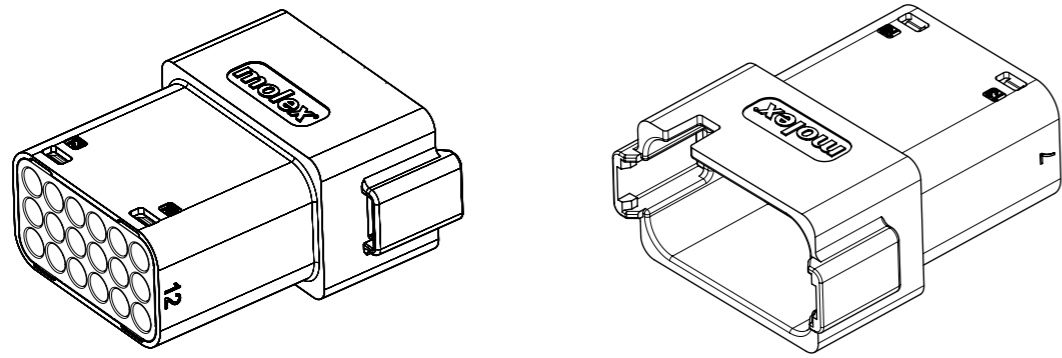


**NOTES**  
 1. SEE SHEETS 2 TO 7 FOR UNSPECIFIED NOTES, DIMENSIONS AND PART NUMBERS

THIS DRAWING CONTAINS INFORMATION THAT IS PROPRIETARY TO MOLEX ELECTRONIC TECHNOLOGIES, LLC AND SHOULD NOT BE USED WITHOUT WRITTEN PERMISSION													
<b>QUALITY SYMBOLS</b> ▽A = 0 ▽E = 0 ▽F = 0 ▼ = 0 ▽C = 0 ⊠ = 0 ■ = 0 ▽ = 0	EC NO: 102101 DRWN: JFLETCHER CHK'D: FDUGGAN APPR: JDWALLACE	2015/12/08 2016/01/08 2016/01/08	GENERAL TOLERANCES (UNLESS SPECIFIED)		DIMENSION UNITS	SCALE							
			ANGULAR TOL ± 2.0 °		MM	1.5:1							
			4 PLACES ±	DRWN BY		DATE		18CCT ML-XT CV CONNECTOR SYSTEM					
			3 PLACES ±	JFLETCHER		2015/12/08							
			2 PLACES ± 0.1	CHK'D BY		DATE		PRODUCT CUSTOMER DRAWING					
			1 PLACE ± 0.2	FDUGGAN		2016/01/08							
			0 PLACES ±	APPR BY		DATE		SERIES	MATERIAL NUMBER	CUSTOMER			
			DRAFT WHERE APPLICABLE MUST REMAIN WITHIN DIMENSIONS	JDWALLACE		2016/01/08		93443	SEE CHART	GENERAL MARKET			
				DRAWING SIZE		THIRD ANGLE PROJECTION		DOCUMENT NUMBER		DOC TYPE	DOC PART	SHEET NUMBER	
				A3				934430070		PSD	000	1 OF 7	

18CCT RECEPTACLE CONNECTOR



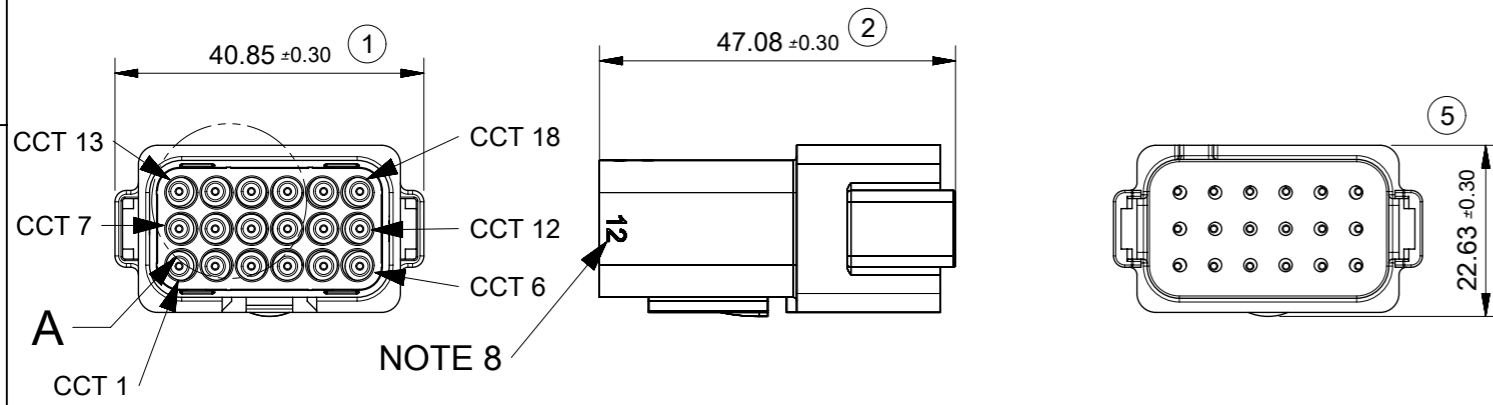
DETAIL A  
SCALE 2:1

DATE CODE: X XX XX  
X — DAY: 1- 7

X — WEEK: 01 - 52

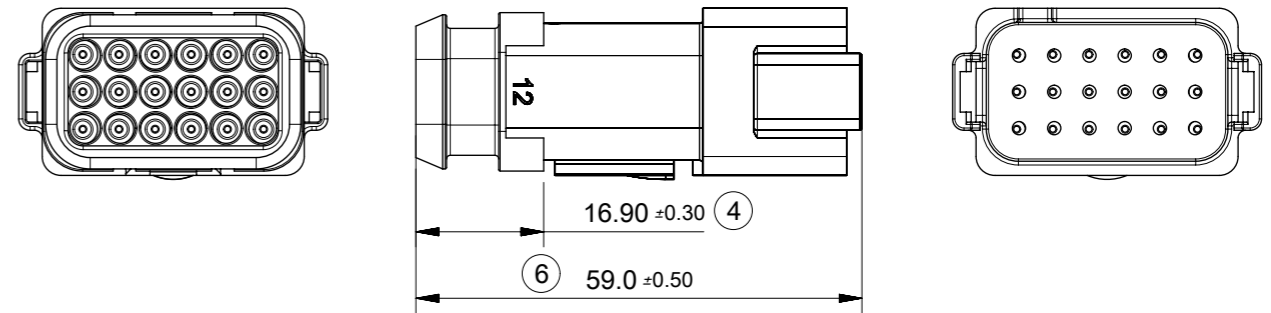
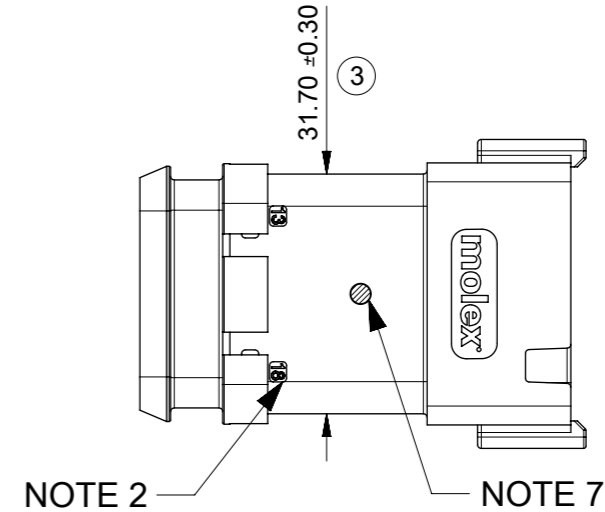
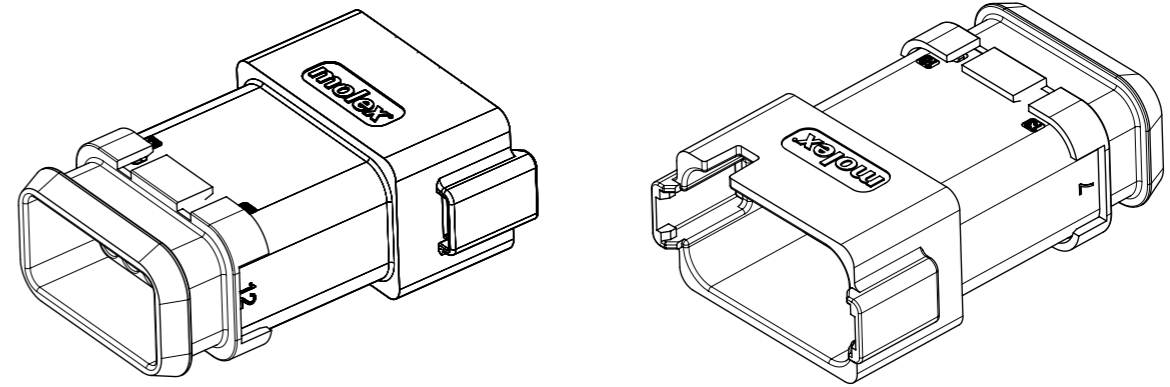
X — YEAR: 00 - 99

EXAMPLE: 11315 = DAY 1, WEEK 13, YEAR 15  
i.e. 23rd OF MARCH 2015

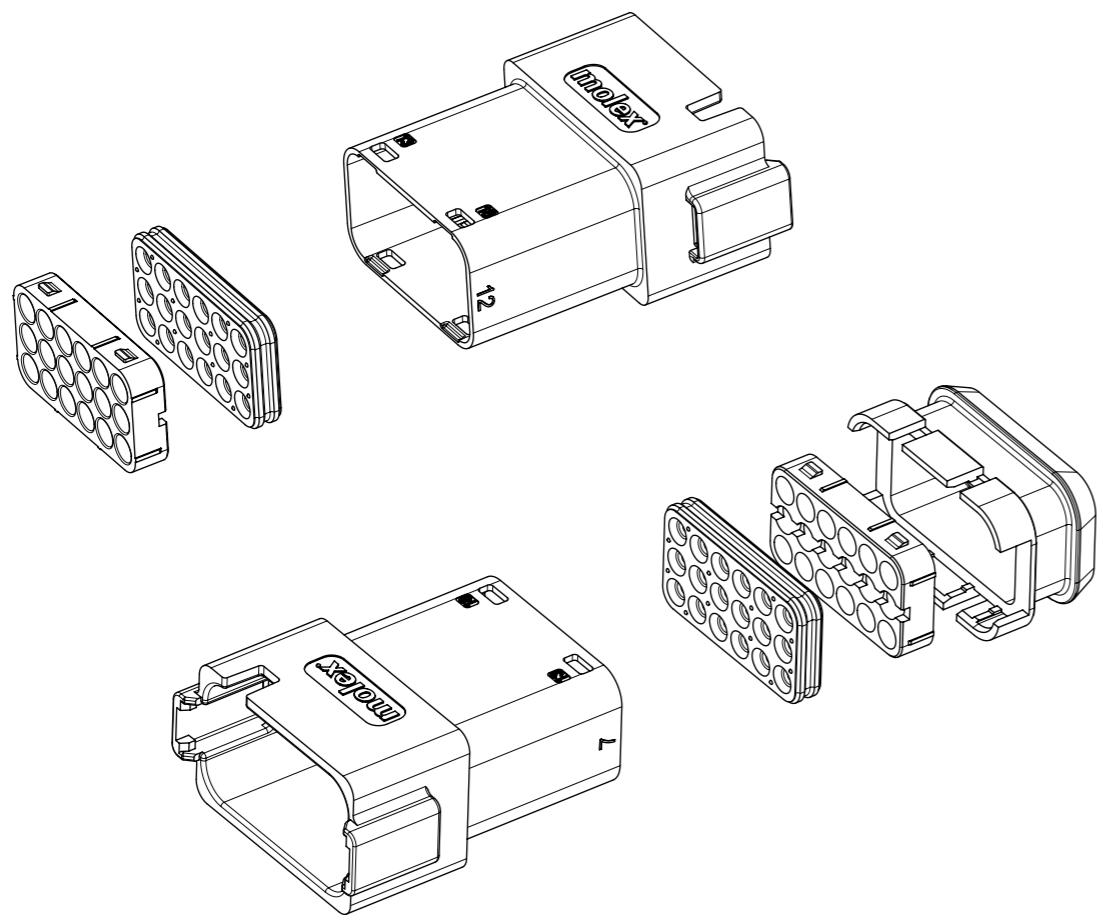
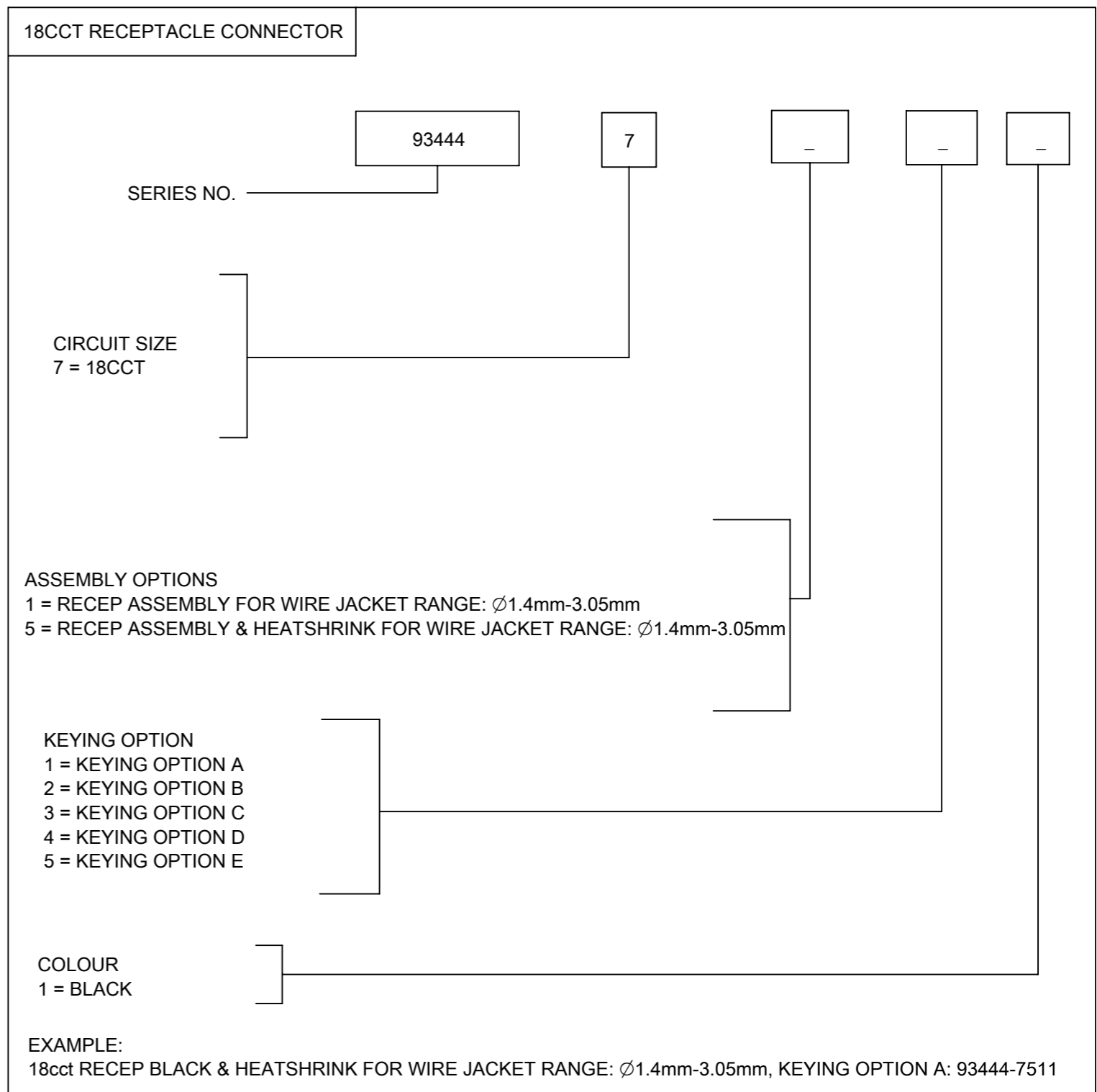


- NOTES**
- MATERIALS**  
HOUSING: NYLON 30% GF  
BACK SEAL: HIGH CONSISTENCY RUBBER
  - CIRCUIT IDENTIFICATION**
  - JACKET RANGE = Ø1.4MM TO 3.05MM**
  - SEE SHEET 3 FOR FINAL PART NUMBER DESIGNATION**
  - SEE 934430010 PS P FOR PRODUCT SPECIFICATION**
  - SEE 934430002 PS K OR 934430010 PS K FOR PACKAGING SPECIFICATION**
  - ASSEMBLY AID CHECK MARK.**
  - CIRCUIT ID NUMBERS "7" & "12" ON EITHER SIDE  
LAST INSPECTION NUMBER 6**

18CCT RECEPTACLE CONNECTOR WITH  
HEATSHRINK HOUSING ULTRASONICALLY  
WELDED IN PLACE



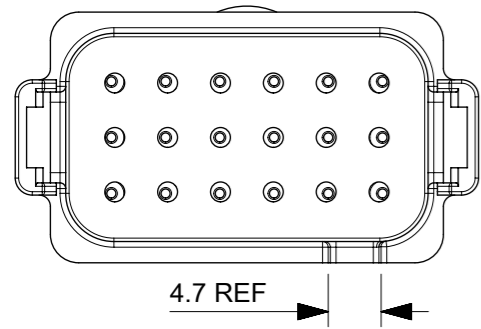
THIS DRAWING CONTAINS INFORMATION THAT IS PROPRIETARY TO MOLEX ELECTRONIC TECHNOLOGIES, LLC AND SHOULD NOT BE USED WITHOUT WRITTEN PERMISSION									
QUALITY SYMBOLS	2015/12/08 2016/01/08 2016/01/08	GENERAL TOLERANCES (UNLESS SPECIFIED)		DIMENSION UNITS	SCALE				
		ANGULAR TOL ± 2.0 °		MM	1:1				
▽A = 0	EC NO: 102101 DRWN: JFLETCHER CHK'D: FDUGGAN APPR: JDWALLACE	4 PLACES ±	DRAFT WHERE APPLICABLE MUST REMAIN WITHIN DIMENSIONS	DRWN BY	DATE	18CCT ML-XT CV CONNECTOR SYSTEM			
▽E = 0		3 PLACES ±		JFLETCHER	2015/12/08				
▽F = 0		2 PLACES ± 0.1		CHK'D BY	DATE	PRODUCT CUSTOMER DRAWING			
▼ = 0		1 PLACE ± 0.2		FDUGGAN	2016/01/08				
▽C = 0		0 PLACES ±		APPR BY	DATE	SERIES: 93443 MATERIAL NUMBER: SEE CHART CUSTOMER: GENERAL MARKET			
⊠ = 0		DRAWING SIZE: A3		THIRD ANGLE PROJECTION	DOCUMENT NUMBER: 934430070 DOC TYPE: PSD DOC PART: 000 SHEET NUMBER: 2 OF 7				
■ = 0	A3								
▽ = 0	REV A								



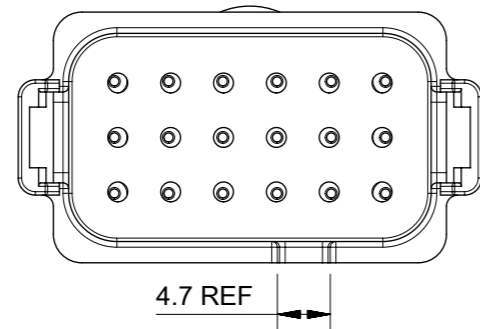
**NOTES**  
 1. SEE SHEET 2 FOR UNSPECIFIED NOTES AND DIMENSIONS

<b>QUALITY SYMBOLS</b> ▽A = 0 ▽E = 0 ▽F = 0 ▼ = 0 ▽C = 0 ⊠ = 0 ■ = 0 ▽ = 0	THIS DRAWING CONTAINS INFORMATION THAT IS PROPRIETARY TO MOLEX ELECTRONIC TECHNOLOGIES, LLC AND SHOULD NOT BE USED WITHOUT WRITTEN PERMISSION												
	EC NO: 102101 DRWN: JFLETCHER CHK'D: FDUGGAN REV APPR: JDWALLACE	2015/12/08		2016/01/08		2016/01/08		GENERAL TOLERANCES (UNLESS SPECIFIED)		DIMENSION UNITS		SCALE	
		2015/12/08		2016/01/08		2016/01/08		ANGULAR TOL ± 2.0 °		MM		1:1	
		4 PLACES ±		3 PLACES ±		2 PLACES ± 0.1		1 PLACE ± 0.2		DRWN BY		DATE	
		0 PLACES ±		DRAFT WHERE APPLICABLE MUST REMAIN WITHIN DIMENSIONS		A3		THIRD ANGLE PROJECTION		JFLETCHER		2015/12/08	
		A		REV		APPR		JDWALLACE		FDUGGAN		2016/01/08	
	A		REV		APPR		JDWALLACE		FDUGGAN		2016/01/08		
	A		REV		APPR		JDWALLACE		FDUGGAN		2016/01/08		
	A		REV		APPR		JDWALLACE		FDUGGAN		2016/01/08		
	A		REV		APPR		JDWALLACE		FDUGGAN		2016/01/08		
A		REV		APPR		JDWALLACE		FDUGGAN		2016/01/08			

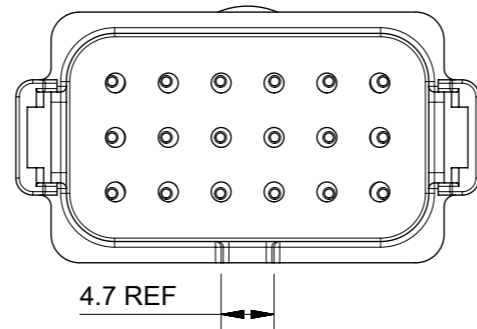
KEYING OPTION A



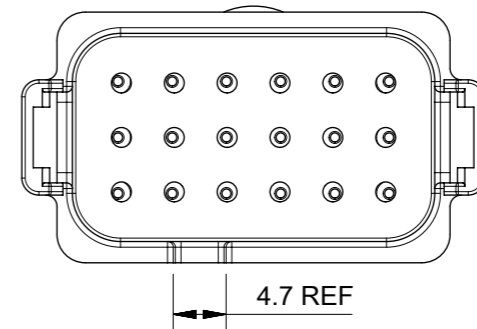
KEYING OPTION B



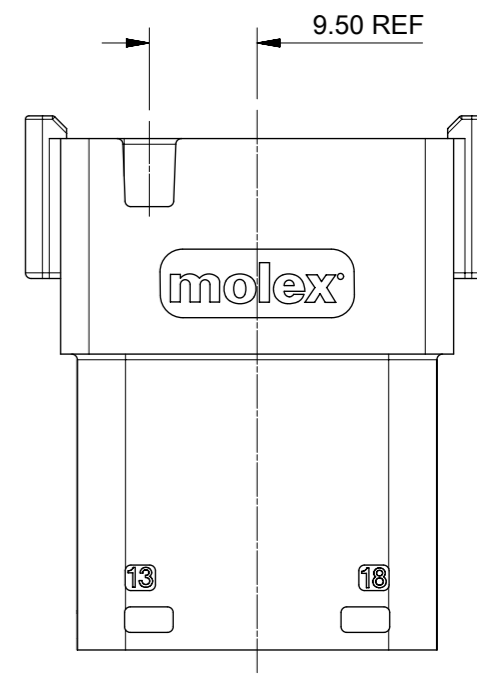
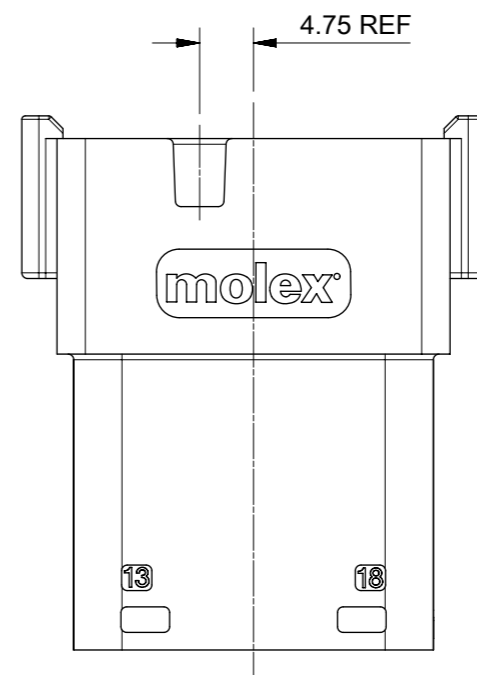
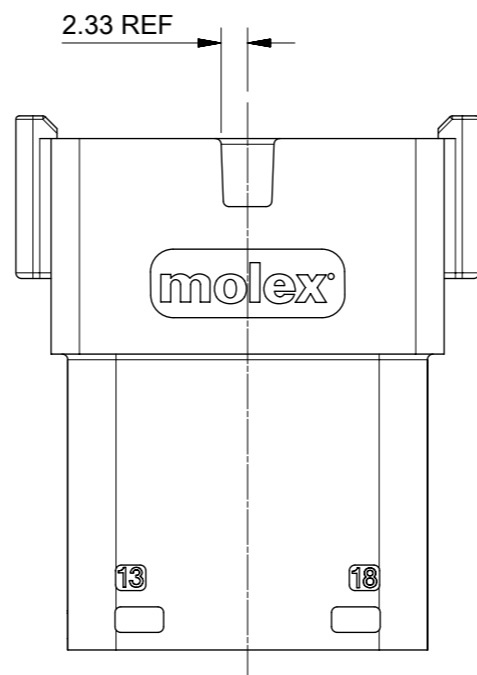
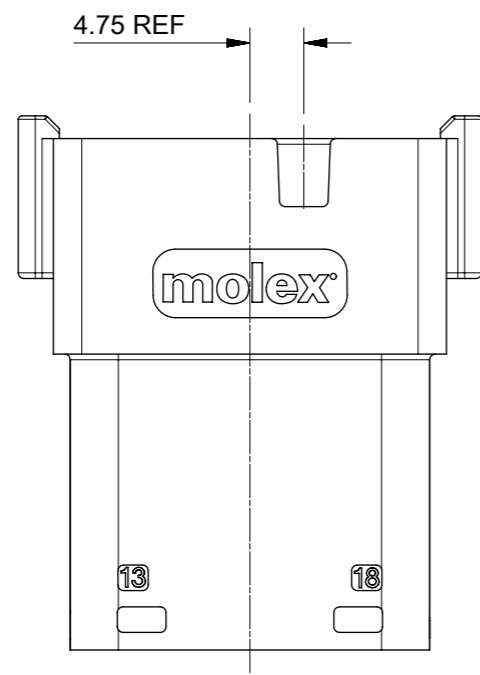
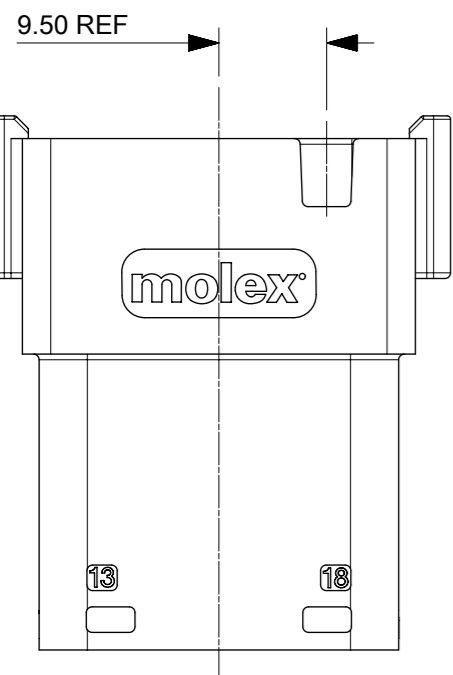
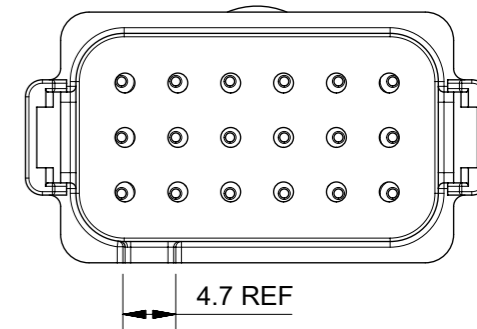
KEYING OPTION C



KEYING OPTION D



KEYING OPTION E



**NOTES**  
1. SEE SHEETS 2 & 3 FOR UNSPECIFIED NOTES AND DIMENSIONS

QUALITY SYMBOLS	
	= 0
	= 0
	= 0
	= 0
	= 0
	= 0
	= 0
	= 0
	= 0

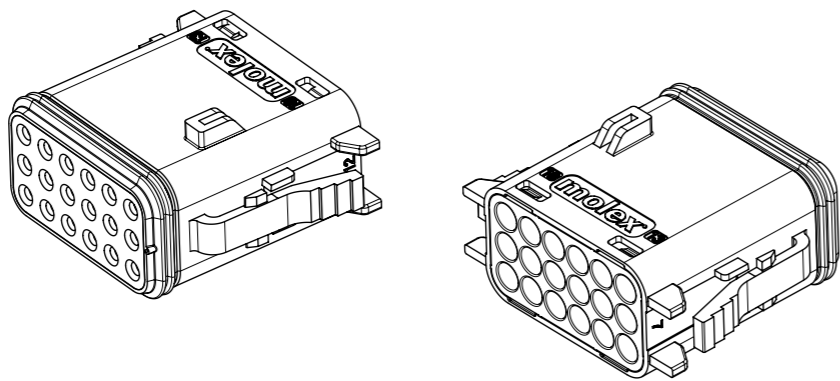
THIS DRAWING CONTAINS INFORMATION THAT IS PROPRIETARY TO MOLEX ELECTRONIC TECHNOLOGIES, LLC AND SHOULD NOT BE USED WITHOUT WRITTEN PERMISSION

EC NO: 102101 DRWN: JFLETCHER CHK'D: FDUGGAN REV APPR: JDWALLACE	2015/12/08	2016/01/08	2016/01/08
	GENERAL TOLERANCES (UNLESS SPECIFIED) ANGULAR TOL ± 2.0 °		
	4 PLACES	±	
	3 PLACES	±	
	2 PLACES	±	0.1
1 PLACE	±	0.2	
0 PLACES	±		
DRAFT WHERE APPLICABLE MUST REMAIN WITHIN DIMENSIONS			

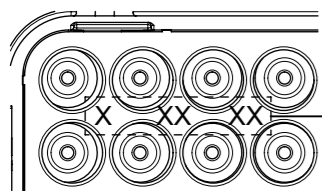
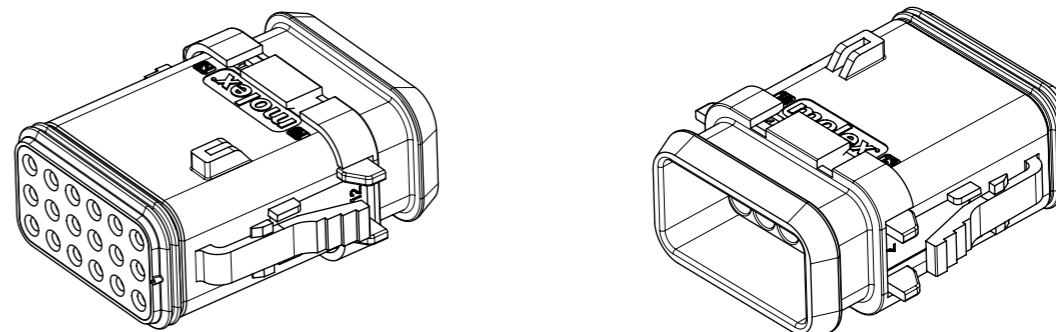
DIMENSION UNITS	SCALE
MM	1.5:1
DRWN BY	DATE
JFLETCHER	2015/12/08
CHK'D BY	DATE
FDUGGAN	2016/01/08
APPR BY	DATE
JDWALLACE	2016/01/08
DRAWING SIZE	THIRD ANGLE PROJECTION
A3	

<b>molex</b>			
18CCT ML-XT CV CONNECTOR SYSTEM			
PRODUCT CUSTOMER DRAWING			
SERIES	MATERIAL NUMBER	CUSTOMER	
93443	SEE CHART	GENERAL MARKET	
DOCUMENT NUMBER		DOC TYPE	DOC PART
934430070		PSD	000
SHEET NUMBER		4 OF 7	

18CCT PLUG CONNECTOR



18CCT PLUG CONNECTOR WITH HEATSHRINK HOUSING ULTRASONICALLY WELDED IN PLACE

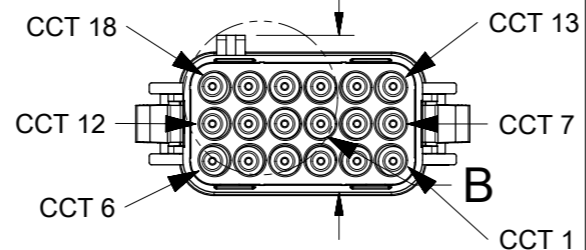
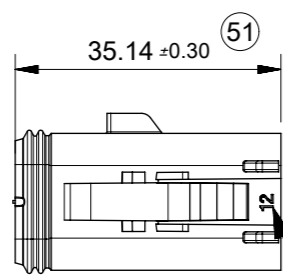
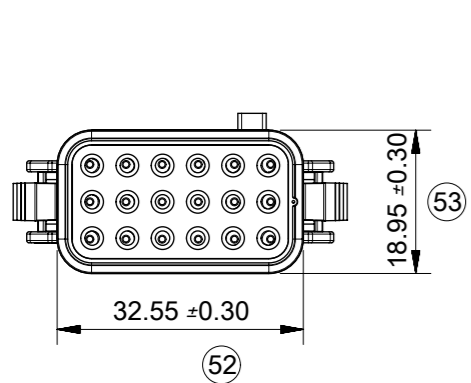


DETAIL B  
SCALE 2:1

DATE CODE: X XX XX  
X — DAY: 1-7

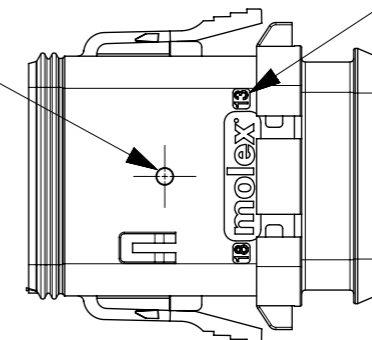
X — WEEK: 01 - 52  
X — YEAR: 00 - 99

EXAMPLE: 11315 = DAY 1, WEEK 13, YEAR 15  
i.e. 23rd OF MARCH 2015

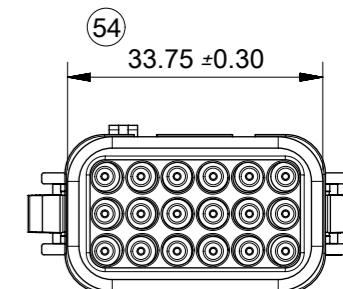
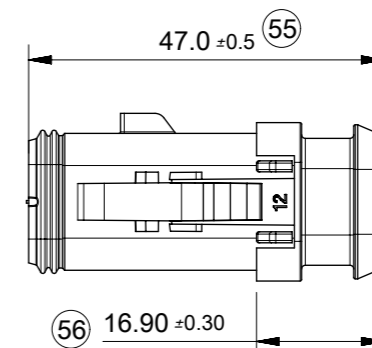


NOTE 6

NOTE 5



NOTE 2

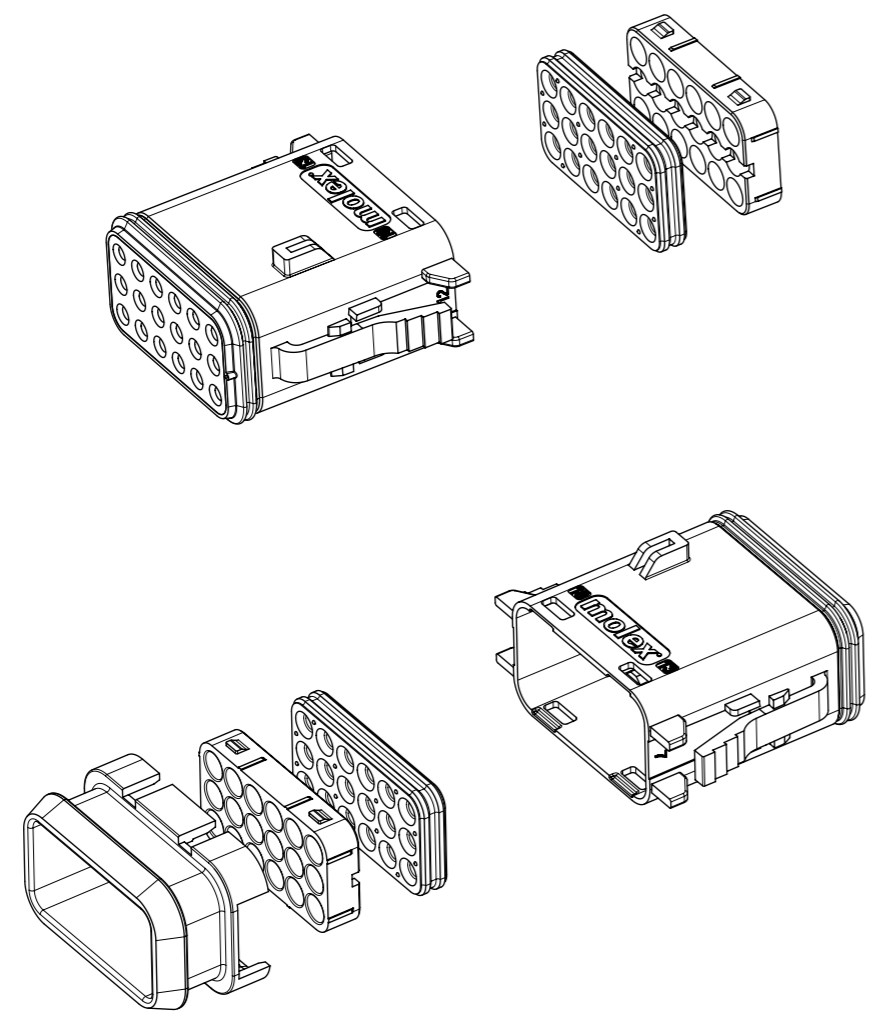


NOTES

- MATERIALS  
HOUSING: NYLON 30% GF  
BACK SEAL: HIGH CONSISTENCY RUBBER  
PLUG SEAL: SILICONE RUBBER
- CIRCUIT IDENTIFICATION
- JACKET RANGE = Ø1.4MM TO 3.05MM
- SEE SHEET 6 FOR FINAL PART NUMBER DESIGNATION
- REFERENCE ASSEMBLY AID CHECK MARK
- CIRCUIT ID NUMBERS "7" & "12" ON EITHER SIDE  
LAST INSPECTION NUMBER 56

THIS DRAWING CONTAINS INFORMATION THAT IS PROPRIETARY TO MOLEX ELECTRONIC TECHNOLOGIES, LLC AND SHOULD NOT BE USED WITHOUT WRITTEN PERMISSION										
QUALITY SYMBOLS	2015/12/08 2016/01/08 2016/01/08	GENERAL TOLERANCES (UNLESS SPECIFIED)		DIMENSION UNITS	SCALE					
		4 PLACES ±	3 PLACES ±	MM	1:1					
▽ = 0	EC NO: 102101 DRWN: JFLETCHER CHK'D: FDUGGAN APPR: JDWALLACE	ANGULAR TOL ± 2.0 °	2 PLACES ± 0.1	DRWN BY	DATE	18CCT ML-XT CV CONNECTOR SYSTEM				
▽ = 0		1 PLACE ± 0.2	JFLETCHER	2015/12/08						
▽ = 0		0 PLACES ±	CHK'D BY	DATE	PRODUCT CUSTOMER DRAWING					
▽ = 0		DRAFT WHERE APPLICABLE MUST REMAIN WITHIN DIMENSIONS	FDUGGAN	2016/01/08						
▽ = 0			APPR BY	DATE	SERIES	MATERIAL NUMBER	CUSTOMER			
▽ = 0					JDWALLACE	2016/01/08	93443	SEE CHART	GENERAL MARKET	
▽ = 0				DRAWING SIZE	THIRD ANGLE PROJECTION	DOCUMENT NUMBER		DOC TYPE	DOC PART	SHEET NUMBER
				A3		934430070		PSD	000	5 OF 7

18CCT PLUG CONNECTOR



SERIES NO. 93445 7 - - -

CIRCUIT SIZE  
7 = 18CCT

ASSEMBLY OPTIONS

- 1 = PLUG ASSEMBLY FOR WIRE JACKET RANGE:  $\varnothing$ 1.4mm-3.05mm
- 5 = PLUG ASSEMBLY & HEATSHRINK FOR WIRE JACKET RANGE:  $\varnothing$ 1.4mm-3.05mm

KEYING OPTION

- 1 = KEYING OPTION A
- 2 = KEYING OPTION B
- 3 = KEYING OPTION C
- 4 = KEYING OPTION D
- 5 = KEYING OPTION E

COLOUR  
1 = BLACK

EXAMPLE:

18cct PLUG BLACK & HEATSHRINK FOR WIRE JACKET RANGE:  $\varnothing$ 1.4mm-3.05mm, KEYING OPTION A: 93445-7511

NOTES

1. SEE SHEET 5 FOR UNSPECIFIED NOTES AND DIMENSIONS

THIS DRAWING CONTAINS INFORMATION THAT IS PROPRIETARY TO MOLEX ELECTRONIC TECHNOLOGIES, LLC AND SHOULD NOT BE USED WITHOUT WRITTEN PERMISSION												
<p>QUALITY SYMBOLS</p> <p>▽A = 0</p> <p>▽E = 0</p> <p>▽F = 0</p> <p>▼ = 0</p> <p>▽C = 0</p> <p>⊗ = 0</p> <p>■ = 0</p> <p>▽ = 0</p>	<p>2015/12/08</p> <p>2016/01/08</p> <p>2016/01/08</p>	GENERAL TOLERANCES (UNLESS SPECIFIED)		DIMENSION UNITS	SCALE							
		ANGULAR TOL ± 2.0 °		MM	1:1							
		<p>EC NO: 102101</p> <p>DRWN: JFLETCHER</p> <p>CHK'D: FDUGGAN</p> <p>REV APPR: JDWALLACE</p>	<p>A</p>	4 PLACES ±	3 PLACES ±	DRWN BY	DATE	<p>18CCT ML-XT CV CONNECTOR SYSTEM</p>				
				3 PLACES ±	2 PLACES ± 0.1	JFLETCHER	2015/12/08					
				2 PLACES ± 0.1	1 PLACE ± 0.2	CHK'D BY	DATE	<p>PRODUCT CUSTOMER DRAWING</p>				
				1 PLACE ± 0.2	0 PLACES ±	FDUGGAN	2016/01/08					
		DRAFT WHERE APPLICABLE MUST REMAIN WITHIN DIMENSIONS		DRAWING SIZE	THIRD ANGLE PROJECTION	APPR BY	DATE	SERIES	MATERIAL NUMBER	CUSTOMER		
				A3		JDWALLACE	2016/01/08	93443	SEE CHART	GENERAL MARKET		
								DOCUMENT NUMBER	DOC TYPE	DOC PART	SHEET NUMBER	
								934430070	PSD	000	6 OF 7	

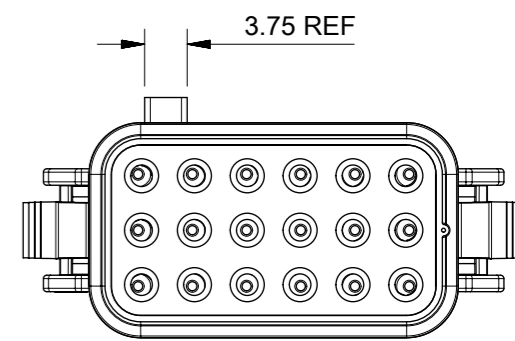
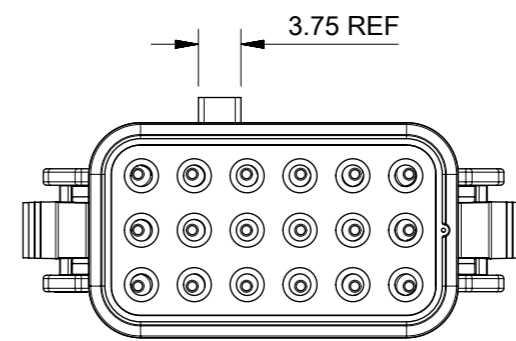
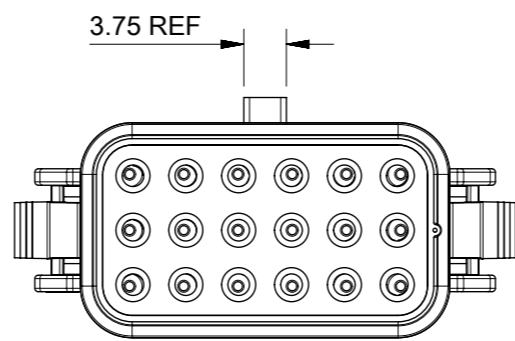
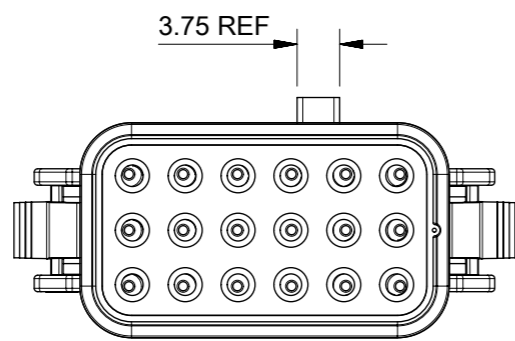
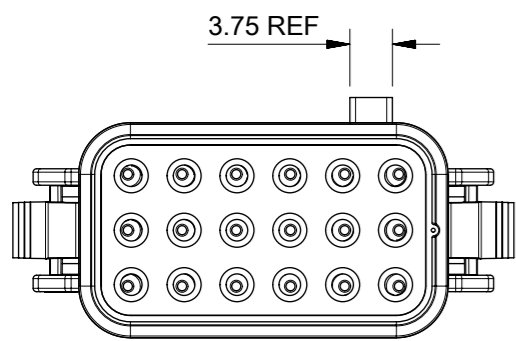
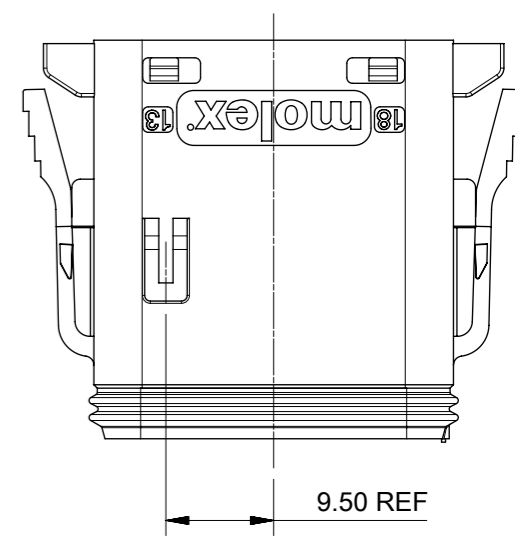
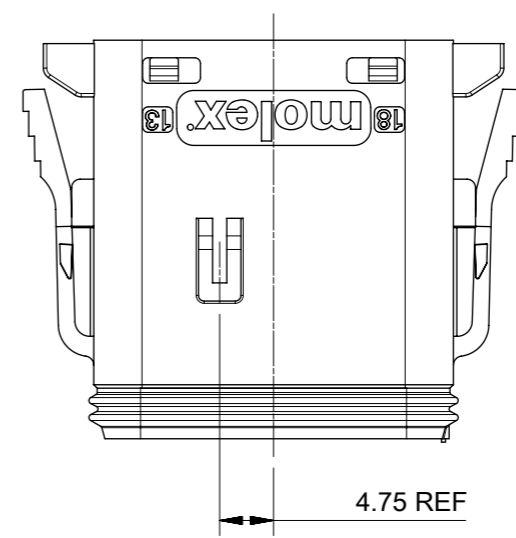
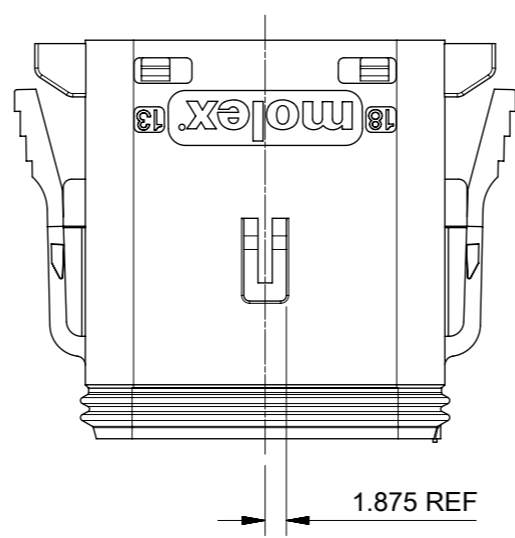
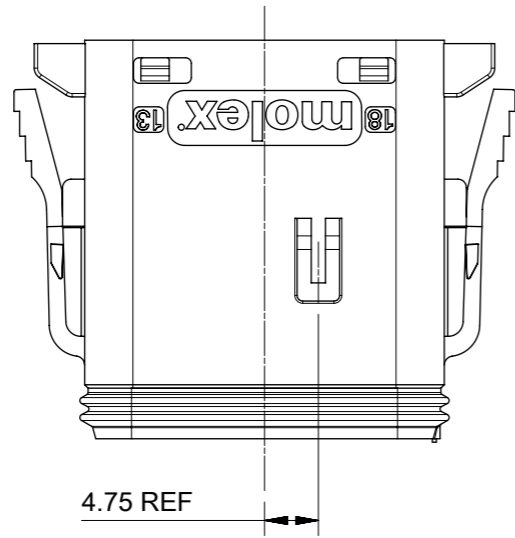
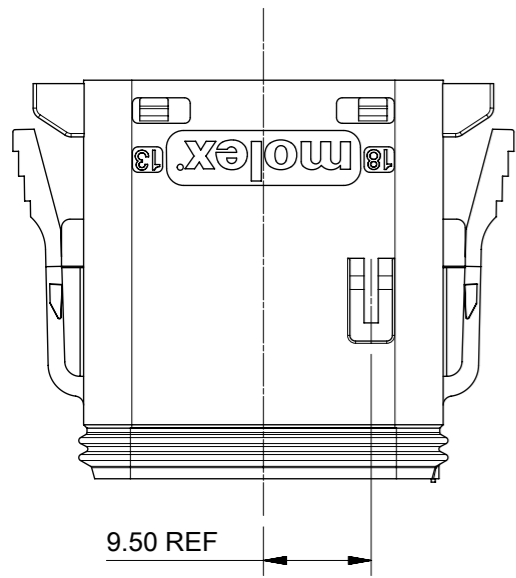
KEYING OPTION A

KEYING OPTION B

KEYING OPTION C

KEYING OPTION D

KEYING OPTION E



NOTES:  
1. SEE SHEETS 5 & 6 FOR UNSPECIFIED NOTES AND DIMENSIONS

QUALITY SYMBOLS	
	= 0
	= 0
	= 0
	= 0
	= 0
	= 0
	= 0
	= 0
	= 0

THIS DRAWING CONTAINS INFORMATION THAT IS PROPRIETARY TO MOLEX ELECTRONIC TECHNOLOGIES, LLC AND SHOULD NOT BE USED WITHOUT WRITTEN PERMISSION

EC NO: 102101 DRWN: JFLETCHER CHK'D: FDUGGAN REV APPR: JDWALLACE	2015/12/08 2016/01/08 2016/01/08	GENERAL TOLERANCES (UNLESS SPECIFIED) ANGULAR TOL ± 2.0 °	DIMENSION UNITS: MM SCALE: 1.5:1	
	4 PLACES ± 3 PLACES ± 2 PLACES ± 0.1 1 PLACE ± 0.2 0 PLACES ±	DRWN BY: JFLETCHER DATE: 2015/12/08	CHK'D BY: FDUGGAN DATE: 2016/01/08	APPR BY: JDWALLACE DATE: 2016/01/08
	DRAFT WHERE APPLICABLE MUST REMAIN WITHIN DIMENSIONS	DRAWING SIZE: A3	THIRD ANGLE PROJECTION	
	A	REV	A3	

<b>molex</b>			
18CCT ML-XT CV CONNECTOR SYSTEM			
PRODUCT CUSTOMER DRAWING			
SERIES	MATERIAL NUMBER	CUSTOMER	
93443	SEE CHART	GENERAL MARKET	
DOCUMENT NUMBER		DOC TYPE	DOC PART SHEET NUMBER
934430070		PSD	000 7 OF 7