

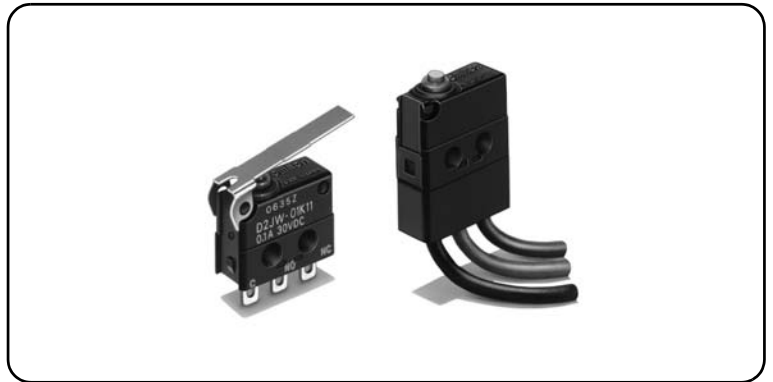
D2JW

Sealed Subminiature Basic Switch

Ultra-small and Highly Sealed

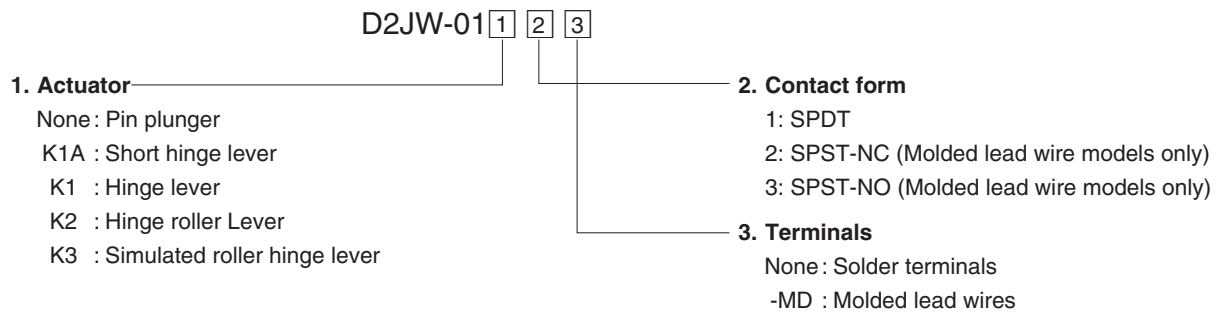
- Degree of protection conforms to JIS Waterproof standard and IEC IP67.
(Excluding the terminals on terminal models)
- Wide range of operating temperatures from -40°C to +85°C.
- Gold-alloy crossbar contact and coil spring offer long durability and high contact reliability.

RoHS Compliant



D
2
J
W

Model Number Legend

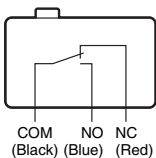


List of Models

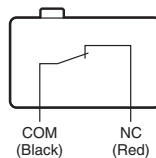
| Actuator | Terminals | Contact form | Model |
|-------------------------------------|-------------------|--------------|-----------------------|
| Pin plunger | Solder terminals | SPDT | D2JW-011 |
| | | SPDT | D2JW-011-MD |
| | Molded lead wires | SPST-NC | D2JW-012-MD |
| | | SPST-NO | D2JW-013-MD |
| Short hinge lever | Solder terminals | SPDT | D2JW-01K1A1 |
| | | SPDT | D2JW-01K1A1-MD |
| | Molded lead wires | SPST-NC | D2JW-01K1A2-MD |
| | | SPST-NO | D2JW-01K1A3-MD |
| Hinge Lever Models | Solder terminals | SPDT | D2JW-01K11 |
| | | SPDT | D2JW-01K11-MD |
| | Molded lead wires | SPST-NC | D2JW-01K12-MD |
| | | SPST-NO | D2JW-01K13-MD |
| Hinge Roller Lever Models | Solder terminals | SPDT | D2JW-01K21 |
| | | SPDT | D2JW-01K21-MD |
| | Molded lead wires | SPST-NC | D2JW-01K22-MD |
| | | SPST-NO | D2JW-01K23-MD |
| Simulated Roller Hinge Lever Models | Solder terminals | SPDT | D2JW-01K31 |
| | | SPDT | D2JW-01K31-MD |
| | Molded lead wires | SPST-NC | D2JW-01K32-MD |
| | | SPST-NO | D2JW-01K33-MD |

Contact form

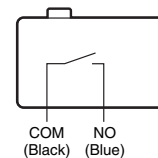
●SPDT



●SPST-NC



●SPST-NO



The color in parentheses indicates the color of the lead wire.

Contact Specifications

| | | |
|------------------------------------|----------------------|------------|
| Contact | Specification | Crossbar |
| | Material | Gold alloy |
| | Gap (standard value) | 0.5 mm |
| Inrush current | NC | 0.1A max. |
| | NO | 0.1A max. |
| Minimum applicable load (see note) | | 5 VDC 1 mA |

Ratings

| | |
|---------------|----------------|
| Rated voltage | Resistive load |
| 30 VDC | 0.1A |

Note. The above rating values apply under the following test conditions.

- (1) Ambient temperature: 20±2°C
- (2) Ambient humidity: 65±5%
- (3) Operating frequency: 30 operations/min

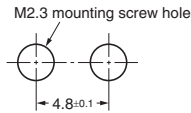
Characteristics

| | | |
|------------------------------------|---|---|
| Permissible operating speed | 1 mm to 250 mm/s (for pin plunger models) | |
| Permissible operating frequency | Mechanical | 240 operations/min |
| | Electrical | 30 operations/min |
| Insulation resistance | 100 MΩ min. (at 500 VDC with insulation tester) | |
| Contact resistance (initial value) | Solder terminal models | 100 mΩ max. |
| | Molded lead wire models | 140 mΩ max. |
| Dielectric strength * 1 | Between terminals of the same polarity | 600 VAC 50/60 Hz 1min |
| | Between current-carrying metal parts and ground | 1,000 VAC 50/60 Hz 1min |
| | Between each terminal and non-current-carrying metal parts | 1,000 VAC 50/60 Hz 1min |
| Vibration resistance * 2 | Malfunction | 10 to 55 Hz, 1.5 mm double amplitude |
| Shock resistance | Durability | 1,000 m/s ² {approx. 100G} max. |
| | Malfunction * 2 | 200 m/s ² {approx. 20G} max. |
| Durability * 3 | Mechanical | 1,000,000 operations min. (60 operations/min) |
| | Electrical | 100,000 operations min. (30 operations/min) |
| Degree of protection | Solder terminal models | IEC IP67 (excluding the terminals on terminal models) |
| | Molded lead wire models | IEC IP67 |
| Ambient operating temperature | -40°C to +85°C (at ambient humidity of 60% max.) (with no icing or condensation) | |
| Ambient operating humidity | 35% to 98% (for +5°C to +35°C) | |
| Weight | Approx. 0.6g (for pin plunger models with terminals) | |

Note. The data given above are initial values.

- *1. The dielectric strength values shown apply for use with Separator (refer to **page 4**).
- *2. For the pin plunger models, the above values apply for use at the free position and total travel position. For the lever models, they apply at the total travel position. Close or open circuit of the contact is 1ms max.
- *3. For testing conditions, consult your OMRON sales representative.

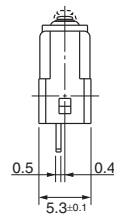
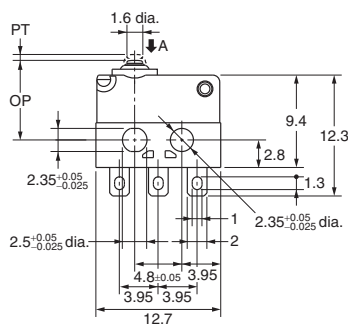
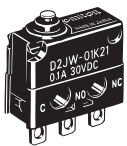
Mounting Holes (Unit: mm)



Dimensions (Unit: mm) / Operating Characteristics

Dimensions and operating characteristics of other actuator models for lead wire models are omitted in the illustration below, as the dimensions other than the terminal part and operating characteristics is common with Solder terminal models.

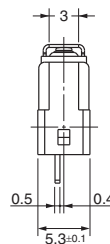
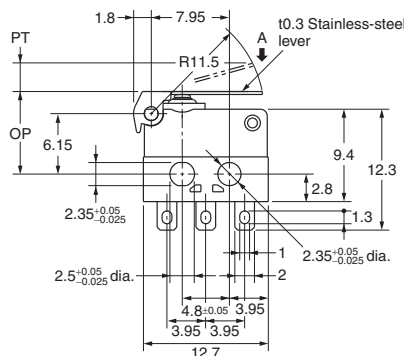
● Pin plunger models D2JW-011



Operating characteristics

| | | |
|-----------------------|---------|-----------------|
| Operating Force | OF Max. | 2.45 N {250 gf} |
| Releasing Force | RF Min. | 0.98 N {100 gf} |
| Pretravel | PT Max. | 0.6 mm |
| Overtravel | OT Min. | 0.3 mm |
| Movement Differential | MD Max. | 0.1 mm |
| Operating Position | OP | 8.1±0.3 mm |

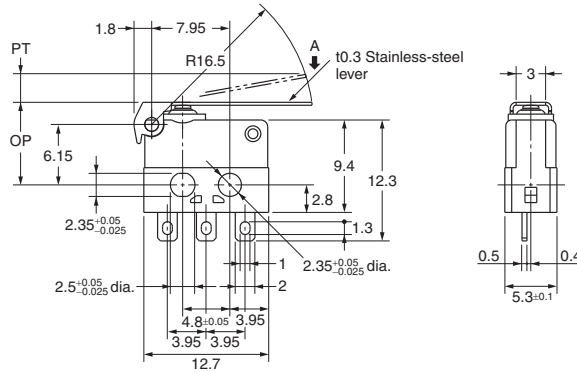
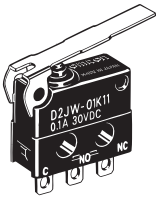
● Short hinge lever models D2JW-01K1A1



| | | |
|-----------------------|---------|-----------------|
| Operating Force | OF Max. | 1.15 N {117 gf} |
| Releasing Force | RF Min. | 0.23 N {23 gf} |
| Pretravel | PT Max. | 5.4 mm |
| Overtravel | OT Min. | 0.7 mm |
| Movement Differential | MD Max. | 0.5 mm |
| Operating Position | OP | 8.4±0.8 mm |

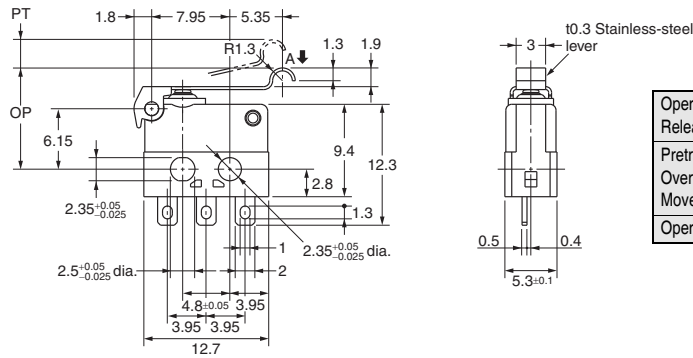
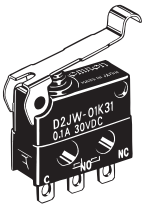
Note 1. Unless otherwise specified, a tolerance of ±0.4 mm applies to all dimensions.
Note 2. The operating characteristics are for operation in the A direction (↓).

●Hinge lever models D2JW-01K11



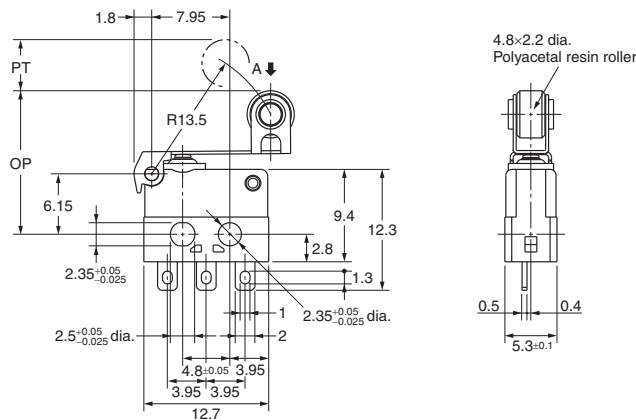
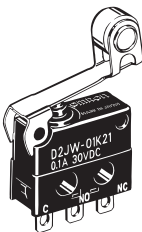
| | | |
|-----------------------|---------|----------------|
| Operating Force | OF Max. | 0.80 N {82 gf} |
| Releasing Force | RF Min. | 0.15 N {16 gf} |
| Pretravel | PT Max. | 6.4 mm |
| Overtravel | OT Min. | 1.4 mm |
| Movement Differential | MD Max. | 0.7 mm |
| Operating Position | OP | 8.4±0.8 mm |

●Simulated roller lever hinge models D2JW-01K31



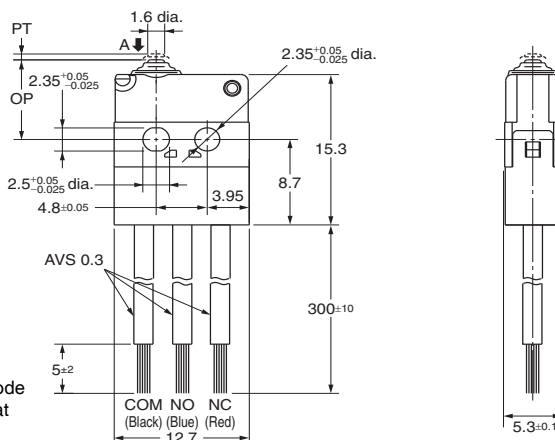
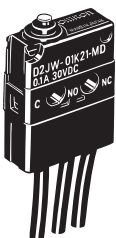
| | | |
|-----------------------|---------|----------------|
| Operating Force | OF Max. | 0.95 N {97 gf} |
| Releasing Force | RF Min. | 0.19 N {20 gf} |
| Pretravel | PT Max. | 5.5 mm |
| Overtravel | OT Min. | 1.1 mm |
| Movement Differential | MD Max. | 0.6 mm |
| Operating Position | OP | 10.3±0.8mm |

●Hinge roller lever models D2JW-01K21



| | | |
|-----------------------|---------|-----------------|
| Operating Force | OF Max. | 0.98 N {100 gf} |
| Releasing Force | RF Min. | 0.19 N {20 gf} |
| Pretravel | PT Max. | 5.2 mm |
| Overtravel | OT Min. | 1.1 mm |
| Movement Differential | MD Max. | 0.5 mm |
| Operating Position | OP | 14.6±0.8 mm |

●Molded lead wire models D2JW-01□□□-MD



| | | |
|-----------------------|---------|-----------------|
| Operating Force | OF Max. | 2.45 N {250 gf} |
| Releasing Force | RF Min. | 0.98 N {100 gf} |
| Pretravel | PT Max. | 0.6 mm |
| Overtravel | OT Min. | 0.3 mm |
| Movement Differential | MD Max. | 0.1 mm |
| Operating Position | OP | 8.1±0.3 mm |

Note. When ordering, replace □ with the code for the actuator and contact form that you need.

Note 1. Unless otherwise specified, a tolerance of ±0.4 mm applies to all dimensions.
Note 2. The operating characteristics are for operation in the A direction (↓).

Precautions

★Please refer to "Basic Switches Common Precautions" for correct use.

Cautions

●Terminal Connection

Before soldering the lead wire to the terminal, first insert the lead wire conductor through the terminal hole.

Complete the soldering at the iron tip temperature till 250°C within 3 seconds, and do not apply any external force for 1 minute after soldering. Soldering at an excessively high temperature or soldering for more than 3 seconds may deteriorate the characteristics of the Switch.

●Degree of Protection

- The Switch was tested and found to meet the conditions necessary to meet the following standard given below. The test checks for water intrusion after immersion for a specified time period, not for switching operation underwater.

JIS C0920:

Degrees of protection provided by enclosures of electrical apparatus (IP Code)

IEC 60529:

Degrees of protection provided by enclosures (IP Code)

Degree of protection: IP67

(check water intrusion after immersion for 30 min. submerged 1m underwater)

●Protection Against Chemicals

Prevent the Switch from coming into contact with oil or chemicals.

Otherwise, damage to or deterioration of Switch materials may result.

Correct Use

●Mounting

Use M2.3 mounting screw with plane washers or spring washers to securely mount the Switch. Tighten the screws to a torque of 0.20 to 0.29 N·m {2 to 3 kgf·cm}.

●Wiring Molded Lead Wire Models

When wiring molded lead wire models, ensure that there is no weight applied on the wire and that the wire is not bent.

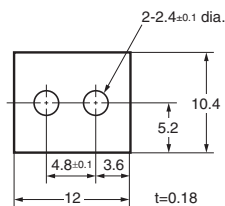
Otherwise, damage to the Switch or deterioration in the sealing may result.

●Using Micro Loads

Even when using micro load models within the operating range shown below, if inrush/surge current occurs, it may increase the contact wear and so decrease durability. Therefore, insert a contact protection circuit where necessary.

Separator (sold separately)

SEPARATOR FOR D2JW



Note. The material of the separator is EAVTC (epoxy alkyd/varnish tetron cloth).

• Application examples provided in this document are for reference only. In actual applications, confirm equipment functions and safety before using the product.
 • Consult your OMRON representative before using the product under conditions which are not described in the manual or applying the product to nuclear control systems, railroad systems, aviation systems, vehicles, combustion systems, medical equipment, amusement machines, safety equipment, and other systems or equipment that may have a serious influence on lives and property if used improperly. Make sure that the ratings and performance characteristics of the product provide a margin of safety for the system or equipment, and be sure to provide the system or equipment with double safety mechanisms.

Note: Do not use this document to operate the Unit.