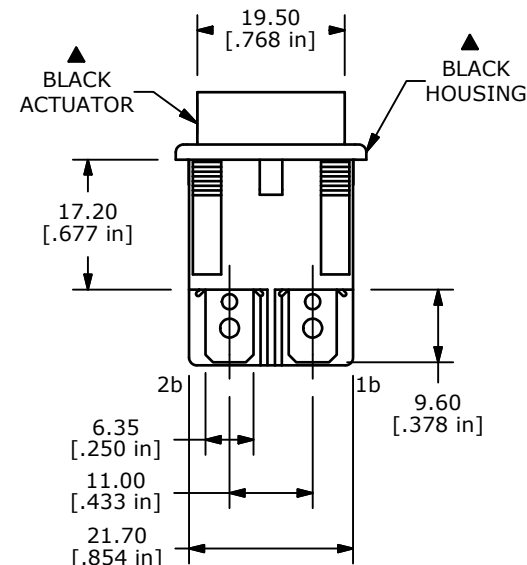
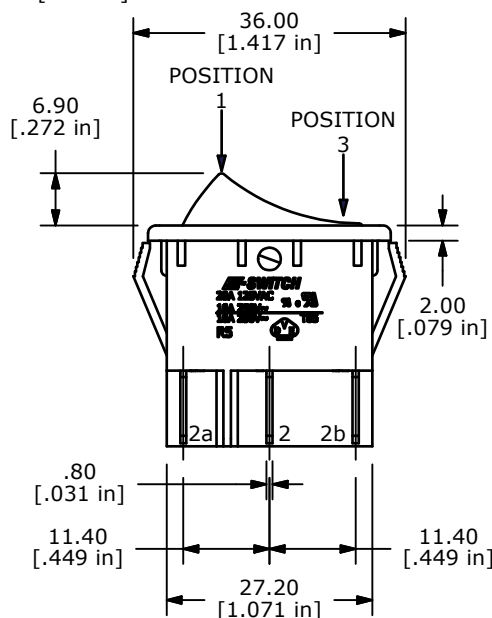
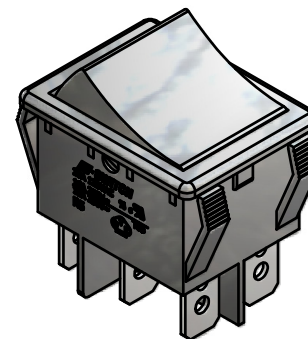
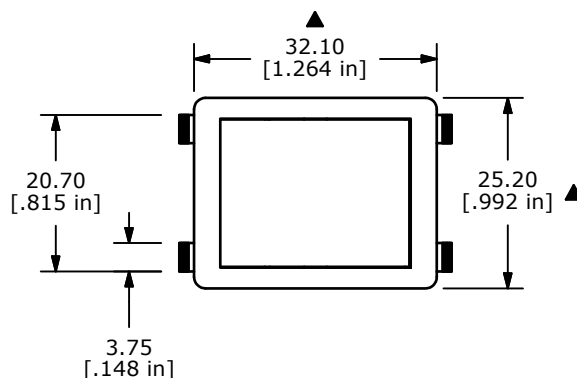
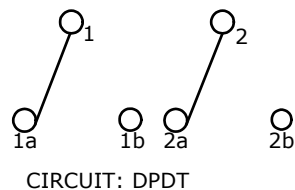


RECOMMENDED PANEL MOUNTING

PANEL THICKNESS	X
0.75-1.25	30.0-30.2
1.25-2.00	30.2-30.4
2.00-3.00	30.6-30.8

SWITCH FUNCTION		
POS. 1	POS. 2	POS. 3
ON	NONE	ON
1-1b, 2-2b	N/A	1-1a, 2-2a



- NOTES:
1. ALL DIMENSIONS IN MM [INCH]
 2. GENERAL TOLERANCE: X.X=±0.4
X.XX=±0.25
 3. TERM. NOS. FOR REF. ONLY
 4. RATING: 20A @125VAC 3/4HP UL APPROVED
16A @250VAC 1HP UL APPROVED
16A @250VAC 1HP VDE APPROVED
 5. ELECTRICAL LIFE: 10,000 CYCLES
 6. MECHANICAL LIFE: 30,000 CYCLES
 7. CONTACT RESISTANCE: <20 MILLI-OHMS INITIAL
 8. DIELECTRIC STRENGTH: >1,500V AC 1MIN
 9. INSULATION RESISTANCE: >1000MOHMS
 10. OPERATING TEMP: TERMINAL SIDE: -20°C to 85°C
ROCKER SIDE: -20°C to 55°C
 11. ▲ DENOTES CRITICAL PARAMETER.
 12. 2002/95/EC (ROHS) COMPLIANT



E	20125	ADD HP RATING	08/31/11	BMA
D	19779	UPDATE / CONVERT TO INVENTOR	03/22/11	BMA
REV	PCR NO	DESCRIPTION	DATE	BY

TITLE R5CBLKBLKEF0				
SCALE 1:1	DATE 3/22/2011	DR BMA	DWG M050204	REV E

THE INFORMATION CONTAINED IN THIS DOCUMENT IS PROPRIETARY TO E-SWITCH AND IS NOT TO BE COPIED OR TRANSFERRED