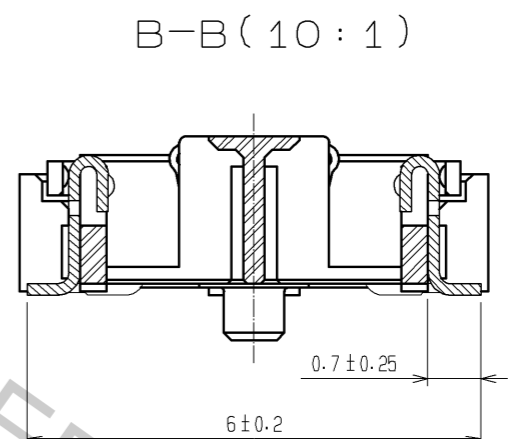
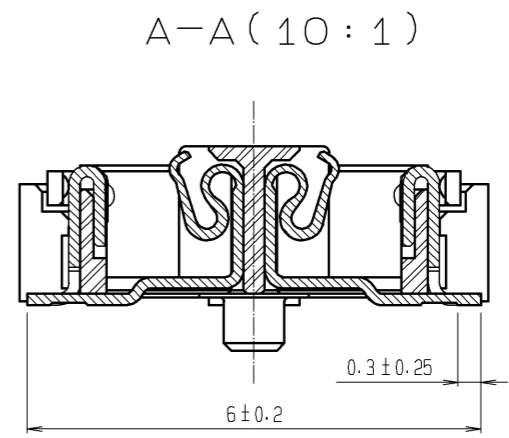
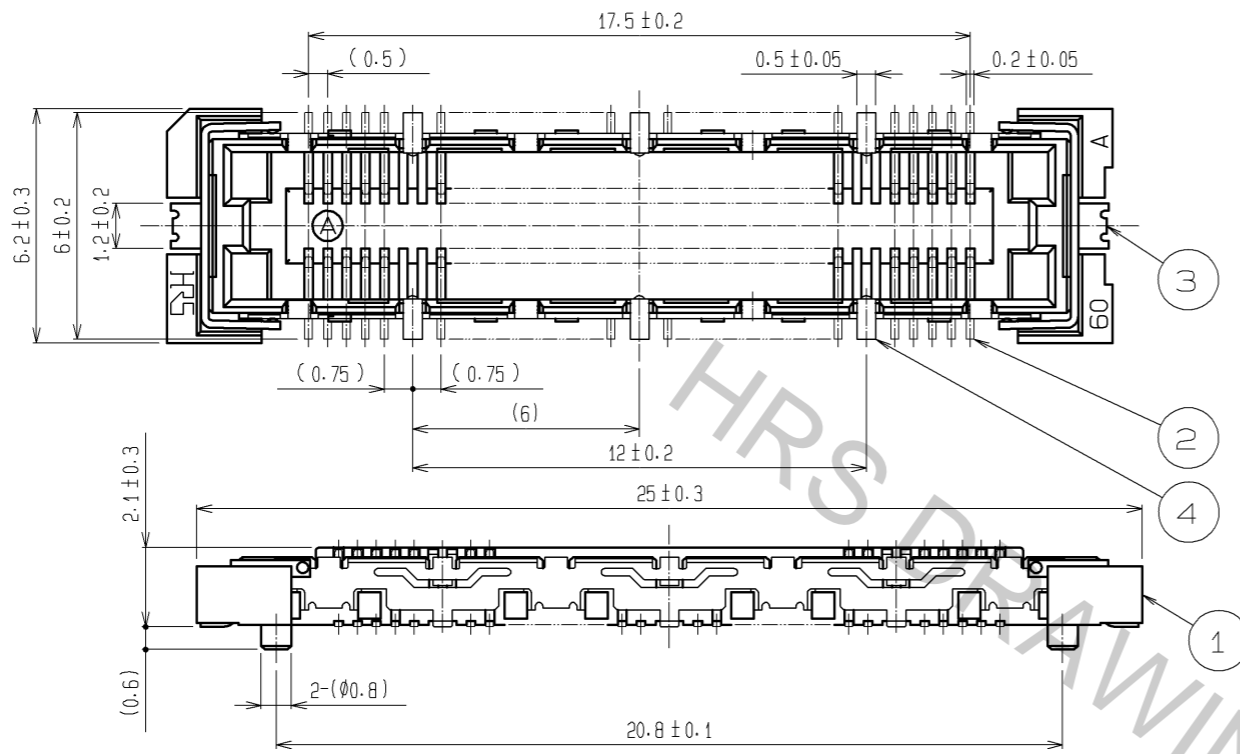
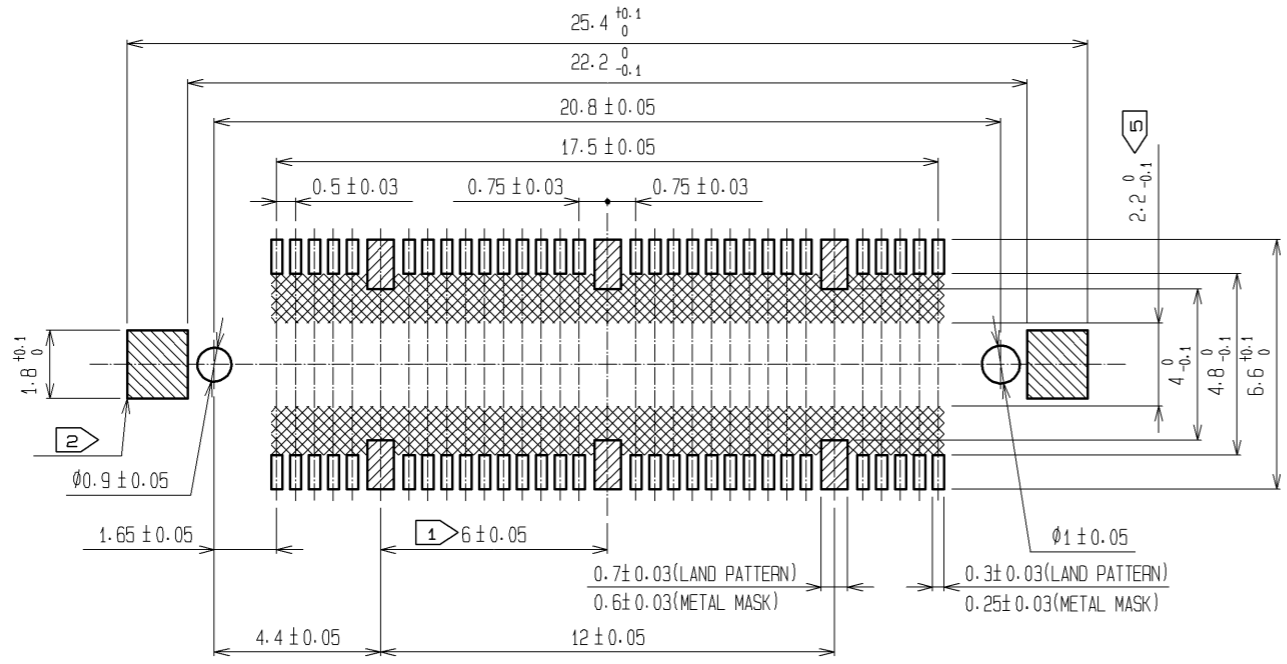


Apr.1.2017 Copyright 2017 HIROSE ELECTRIC CO., LTD. All Rights Reserved.



RECOMMENDED LAND PATTERN DIMENSION OF PCB
(RECOMMENDED METAL MASK THICKNESS: 0.15mm)

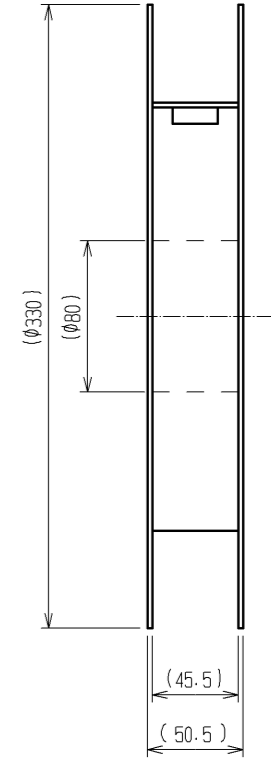
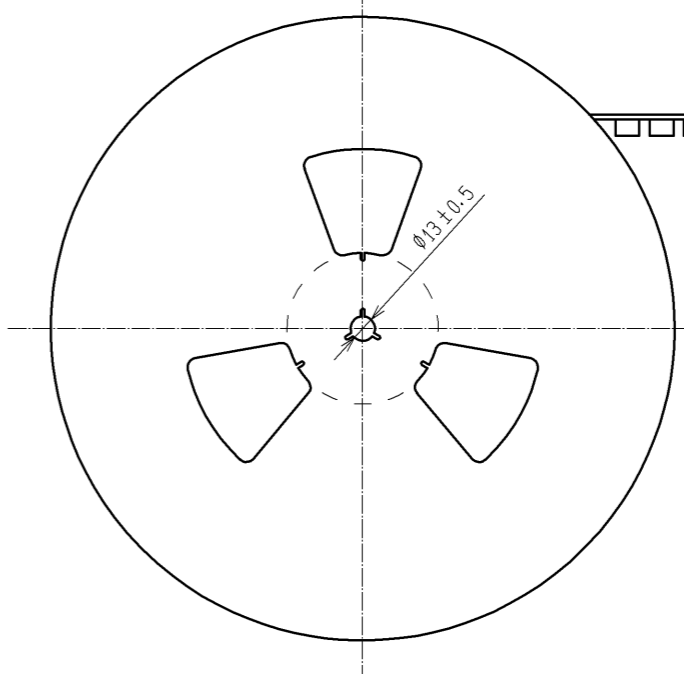
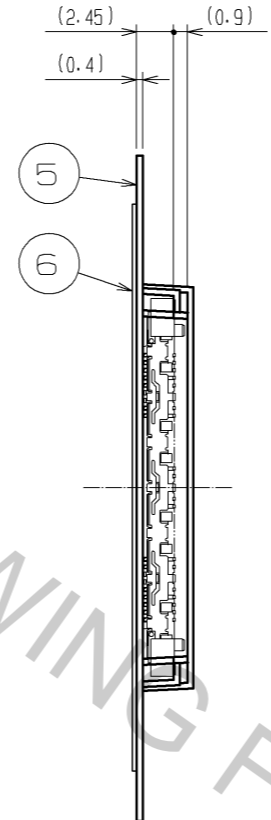
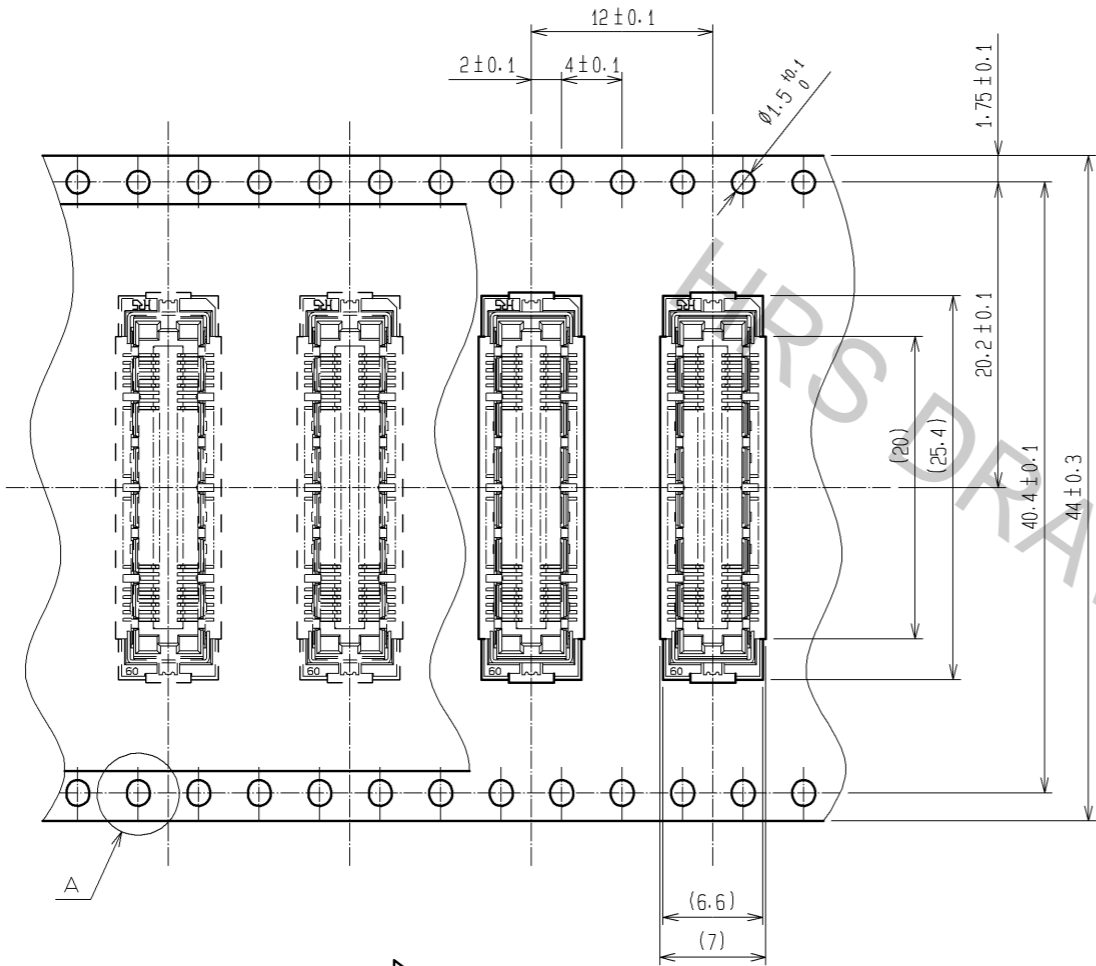


- NOTES
- ① 6 HATCHED PARTS: GROUND CIRCUIT.
 - ② 2 HATCHED PARTS: GROUND CIRCUIT.
 - ③ SMT LEAD-COPLANARITY: 0.1 MAX.
 - ④ THIS PRODUCT HAS NO POLARITY TO PATTERN FOR MOUNTING.
 - ⑤ MAKE SURE WIDTH OF PATTERN IS WITHIN THAT OF LAND, OR LEAD MAY TOUCH PATTERN. (THIS APPLIES TO HATCHED AREA.)
 - ⑥ TO BE EMBOSSED CARRIER TAPED AS SPECIFIED IN SHEET 2.
 - ⑦ THE DIMENSIONS IN PARENTHESES ARE FOR REFERENCE.

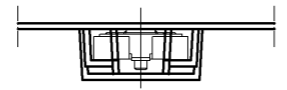
| 3, 4 | PHOSPHOR BRONZE | TIN PLATING | | | | | | |
|-------|-----------------|---------------------------------|----------|-------------|--------------------------|--------------------|---------|------|
| | | CONTACT AREA : GOLD 0.1μm min. | | | | | | |
| 2 | PHOSPHOR BRONZE | LEAD AREA : GOLD FLASH | | | | | | |
| | | UNDER PLATING : NICKEL 1μm min. | 6 | PET | TOP COVER TAPE | | | |
| 1 | LCP | BEIGE UL94V-0 | 5 | PS | EMBOSSED CARRIER TAPE | | | |
| NO. | MATERIAL | FINISH . REMARKS | NO. | MATERIAL | FINISH . REMARKS | | | |
| UNITS | mm | SCALE | 5 : 1 | COUNT | DESCRIPTION OF REVISIONS | DESIGNED | CHECKED | DATE |
| | | APPROVED : HS. OKAWA | 08.11.06 | DRAWING NO. | | EDC3-152632-21 | | |
| | | CHECKED : HT. YAMAGUCHI | 08.11.06 | PART NO. | | FX11A-60S/6-SV(91) | | |
| | | DESIGNED : SY. KAMIGA | 08.11.06 | CODE NO. | | CL573-0702-9-91 | | |
| | | DRAWN : HK. SUNADORI | 08.11.05 | | | 1/2 | | |

DRAWING FOR PACKING(2:1)

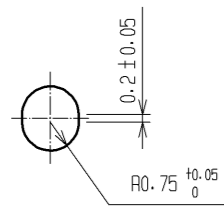
REELED DIMENSION(Free)



THE DIRECTION OF PULLING OUT



A(5:1)



- NOTES
- 1 REEL : 1000 CONNECTORS.
 - 2 MINIMUM 10 COMPARTMENTS FROM BOTH REEL ENDS REMAIN EMPTY.
 - 3 THIS PRODUCT HAS NO POLARITY TO TAPE AND REEL PACKAGING.
 - 4 THE DIMENSIONS IN PARENTHESES ARE FOR REFERENCE.

| | | |
|------------|-------------|--------------------|
| HRS | DRAWING NO. | EDC3-152632-21 |
| | PART NO. | FX11A-60S/6-SV(91) |
| | CODE NO. | CL573-0702-9-91 |
| | | 2/2 |