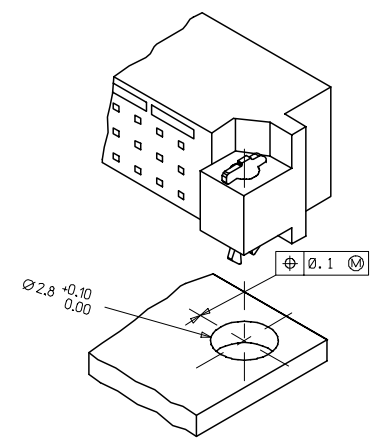
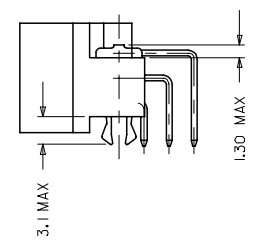


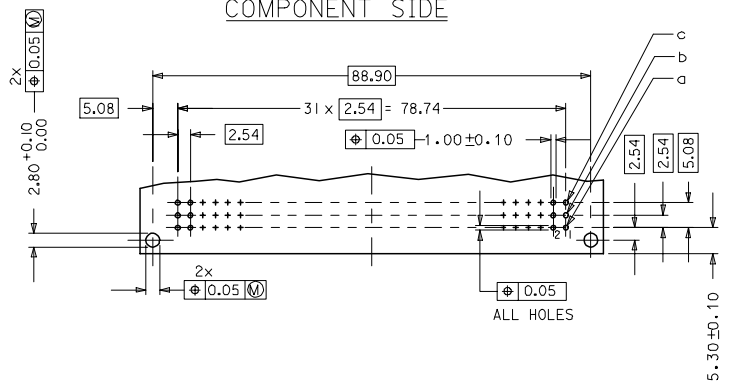
WITH MOUNTING CLIPS

8:1



- NOTES:
- MATERIALS: THERMX (PCT), GLASS FILLED, UL94V-0, COLOR : NATURAL  
TERMINAL - BRASS  
MOUNTING CLIP: STEEL
  - FINISH: CONTACT AREA
    - PERFORMANCE LEVEL 1: SELECTIVE GOLD (Au), THICKNESS = 1.1 MICROMETER  
OVER NICKEL, THICKNESS = 1.25 MICROMETER
    - PERFORMANCE LEVEL 2: SELECTIVE GOLD (Au), THICKNESS = 0.6 MICROMETER  
OVER NICKEL, THICKNESS = 1.25 MICROMETER
    - PERFORMANCE LEVEL 3: SELECTIVE GOLD (Au), THICKNESS = 0.3 MICROMETER  
OVER NICKEL, THICKNESS = 1.25 MICROMETER
  - TERMINATION AREA : SELECTIVE TIN, THICKNESS = 2.5 MICROMETER  
OVER NICKEL, THICKNESS = 1.25 MICROMETER OVERALL
  - MOUNTING CLIP:-  
TIN (Sn), THICKNESS = 5-10 MICROMETER,  
OVER NICKEL (Ni), THICKNESS = 2.5 MICROMETER
  - FOR NON MOUNTING CLIP OPTION, CONNECTOR TO BE SECURED WITH  
RIVETS: 2 TUBULAR RIVETS 2.5 x 0.3 ... DIN 7340  
SCREWS: 2 CHEESEHEAD SCREWS M2.5 x .... DIN 84 AND 2 HEXAGONAL NUTS M2.5 DIN 934
  - STANDARD MARKING : MOLEX, MATERIAL NUMBER, BATCH CODE
  - CUT FACE OF TIP WITHOUT PLATING PERMITTED
  - PRODUCT SPECIFICATION PS : 85003-0001

RECOMMENDED PCB LAYOUT  
COMPONENT SIDE



LMFB CONTACTS	4.2
FMLB CONTACTS	5.4
NORMAL CONTACTS	4.8
	M

RoHS COMPLIANT

ENTER DESCRIPTION ELC INC. 12007-0193 DRAWING NO. 2007/01/08 CHKD/SUBDR 2007/01/08 APPROV/PASAD 2007/01/08	QUALITY SYMBOLS ▽=0 ▽=0	GENERAL TOLERANCES (UNLESS SPECIFIED) mm INCH		DIMENSION STYLE MM ONLY		SCALE 2:1	DESIGN UNITS METRIC	THIRD ANGLE PROJECTION
		4 PLACES ± --- ± --- 3 PLACES ± 0.05 ± --- 2 PLACES ± 0.1 ± --- 1 PLACE ± 0.15 ± ---	DRAWN BY SS	DATE 2001/05/03	CHECKED BY GJLOWE	DATE 2001/05/03	APPROVED BY GJLOWE	DATE 2001/05/03
DRAFT WHERE APPLICABLE MUST REMAIN WITHIN DIMENSIONS	SIZE A 1	MATERIAL NO. SEE CHART	DOCUMENT NO. SD-85003-0001	SHEET NO. 6 OF 12	MOLEX INCORPORATED THIS DRAWING CONTAINS INFORMATION THAT IS PROPRIETARY TO MOLEX INCORPORATED AND SHOULD NOT BE USED WITHOUT WRITTEN PERMISSION			

VIEW ON MATING SIDE

o	C	C	C	C	C	C	C	C	C	C	C	C	C	C	C	C	C	C	C	C	C	C	C	C	C	C	C	C	C	C	C	C	C	C	C	C	C		
b																																							
o	A	A	A	A	A	A	A	A	A	A	A	A	A	A	A	A	A	A	A	A	A	A	A	A	A	A	A	A	A	A	A	A	A	A	A	A	A	A	
	32	31	30	29	28	27	26	25	24	23	22	21	20	19	18	17	16	15	14	13	12	11	10	9	8	7	6	5	4	3	2	1							

A = 32 STANDARD CONTACTS L = 3  
 C = 32 STANDARD CONTACTS L = 3  
 S = 64 TOTAL NUMBER OF CONTACTS

MARKING	STANDARD
PERFORMANCE LEVEL	G2/0 = CONTACT AREA LEVEL 2 / TERMINATION TIN
FLUX PROOF	NO
FIXING CLIP	YES
DIMENSIONS	SD-85003-0001 SHT 6

C	G2/0	c1-32
A	G2/0	a1-32
CONTACT SYMBOL	PERFORMANCE LEVEL	CONTACT POSITION NUMBER

I-2004-XXXX  
 N.S. 09/09/03  
 G.L. 09/09/03  
 G.L. 09/09/03

C

		Y	
			N
	X		N
N.S.	17/09/01	96 POS MALE CONNECTOR	
G.L.	17/09/01	ACCORDING DIN 41612 STYLE C CONTACTS	
		ARRANGEMENT (HIGH TEMP CONNECTOR)	
G.L.	17/09/01		
SD-85003-7081	SD185003-7081	SD-85003-7081	
			NO. OF 1
			ZE
			D

D  
 C  
 B  
 A