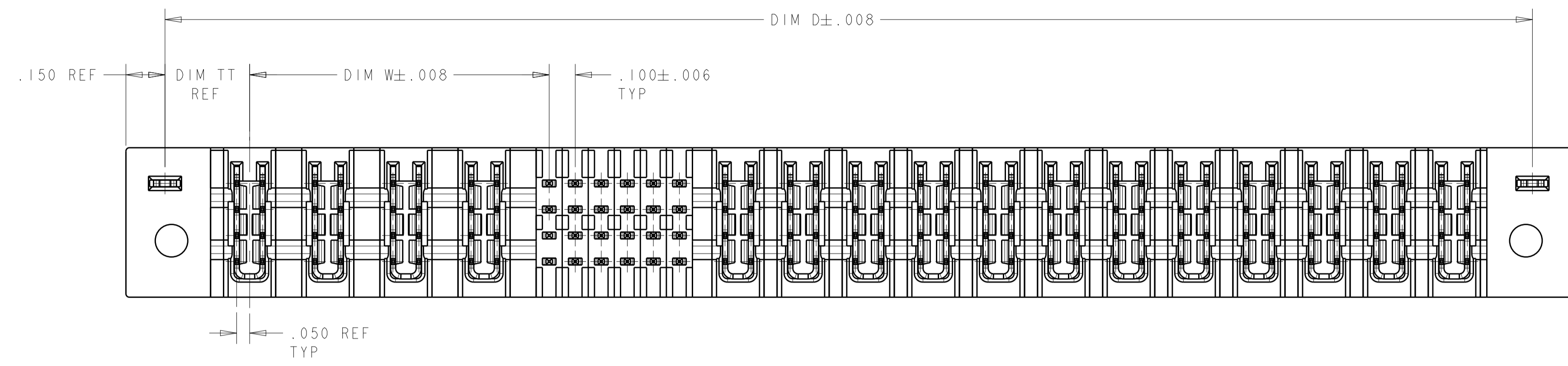
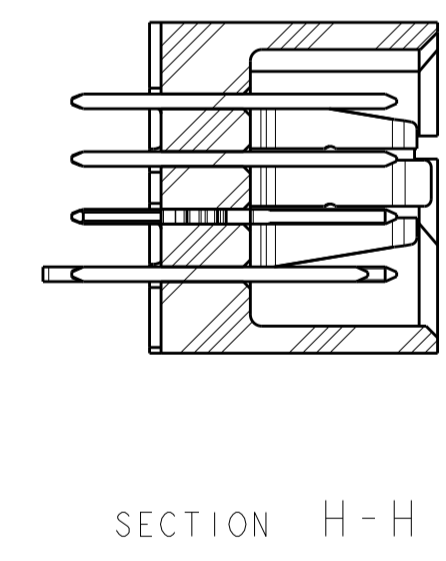
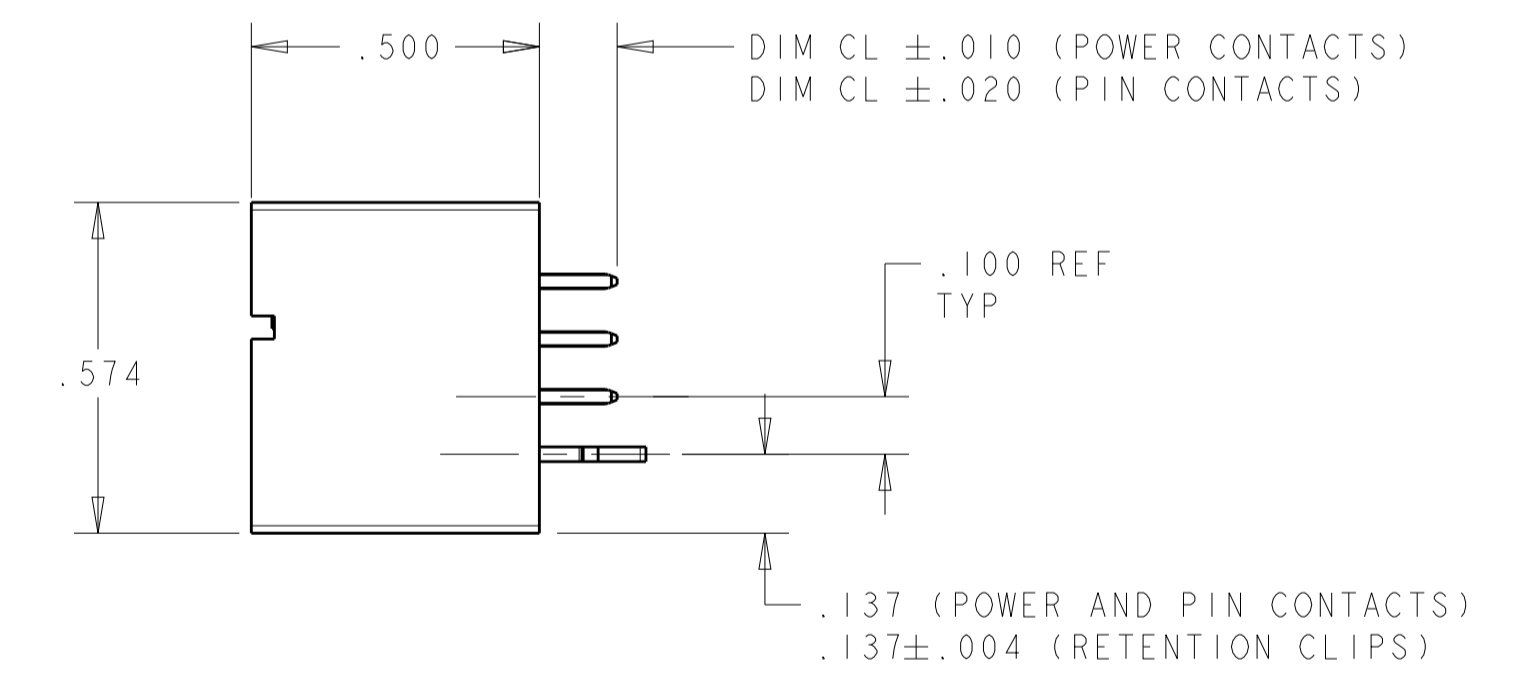
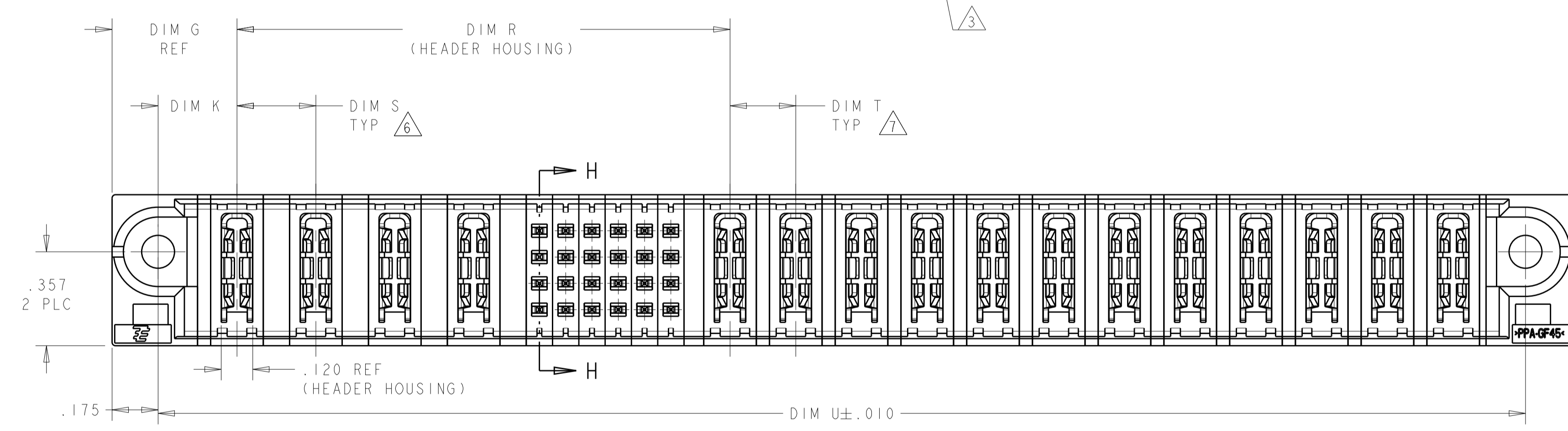
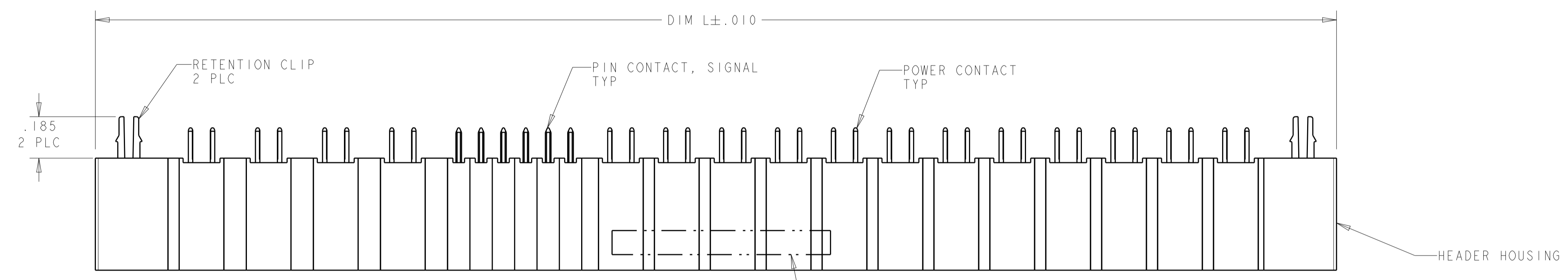


| LOC |     | DIST                       |           | REVISIONS |      |  |  |
|-----|-----|----------------------------|-----------|-----------|------|--|--|
| P   | LTN | DESCRIPTION                | DATE      | DWN       | APVD |  |  |
| J3  |     | ADDED NEW DASH -23.        | 06DEC2010 | IL        | SZ   |  |  |
| J4  |     | ADDED NEW DASH NUMBER 2--4 | 12AUG2012 | CZ        | SZ   |  |  |
| J6  |     | REV PER ECR-13-014088      | 06SEP2013 | CZ        | SZ   |  |  |
| J7  |     | ADD NEW DASH NUMBER 2-5    | 10FEB2015 | CZ        | SZ   |  |  |



- △ 1 HEADER HOUSING: THERMO PLASTIC, BLACK, UL94 V-0; CONTACTS AND RETENTION CLIPS: COPPER ALLOY.
- △ 2 CONTACT PLATING: NOBLE METAL PLATING ON CONTACT FUNCTIONAL AREA OF POWER AND SIGNAL CONTACTS
- △ 3 "AMP", PART NUMBER AND DATE CODE MARKED IN THIS AREA. PARTS UNDER 2.50 LONG MAY BE MARKED ON BOTH SIDES.
- △ 4 DATUM AND BASIC DIMENSIONS ESTABLISHED BY CUSTOMER.
- △ 5 PCB - ALL HOLE DIAMETERS ARE FINISHED HOLE SIZES.
- △ 6 APPLIES TO POWER MODULES ON LEFT SIDE OF SIGNAL CAVITIES OF HOUSING.
- △ 7 APPLIES TO POWER MODULES ON RIGHT SIDE OF SIGNAL CAVITIES OF HOUSING.
- △ 8 MECHANICAL CONNECTOR KEEP OUT ZONE.



THIS DRAWING IS A CONTROLLED DOCUMENT.


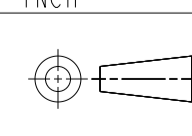
|                  |  |                             |                             |                          |
|------------------|--|-----------------------------|-----------------------------|--------------------------|
| DIMENSIONS: INCH | TOLERANCES UNLESS OTHERWISE SPECIFIED: | DWN: J. McCLINTON 22MAR2005 | CHK: D. TROUT 22MAR2005     | APVD: B. WHYNE 22MAR2005 |
| 0 PLC ±          | 1 PLC ±                                | 2 PLC ±                     | 3 PLC ±.005                 | 4 PLC ±.0020             |
| ANGLES ±.0020    | FINISH                                 | PRODUCT SPEC: 108-1973      | APPLICATION SPEC: 114-13038 | WEIGHT                   |
| MATERIAL         | FINISH                                 | SIZE: A100779               | CAGE CODE: 6600330          | SCALE: 4:1               |
| CUSTOMER DRAWING |  | SHEET 1 OF 10               |                             | REV J7                   |

STE TE Connectivity  
 VERTICAL HEADER ASSEMBLY W/ GUIDES AND SOLDER TAILS MULTI-BEAM XL

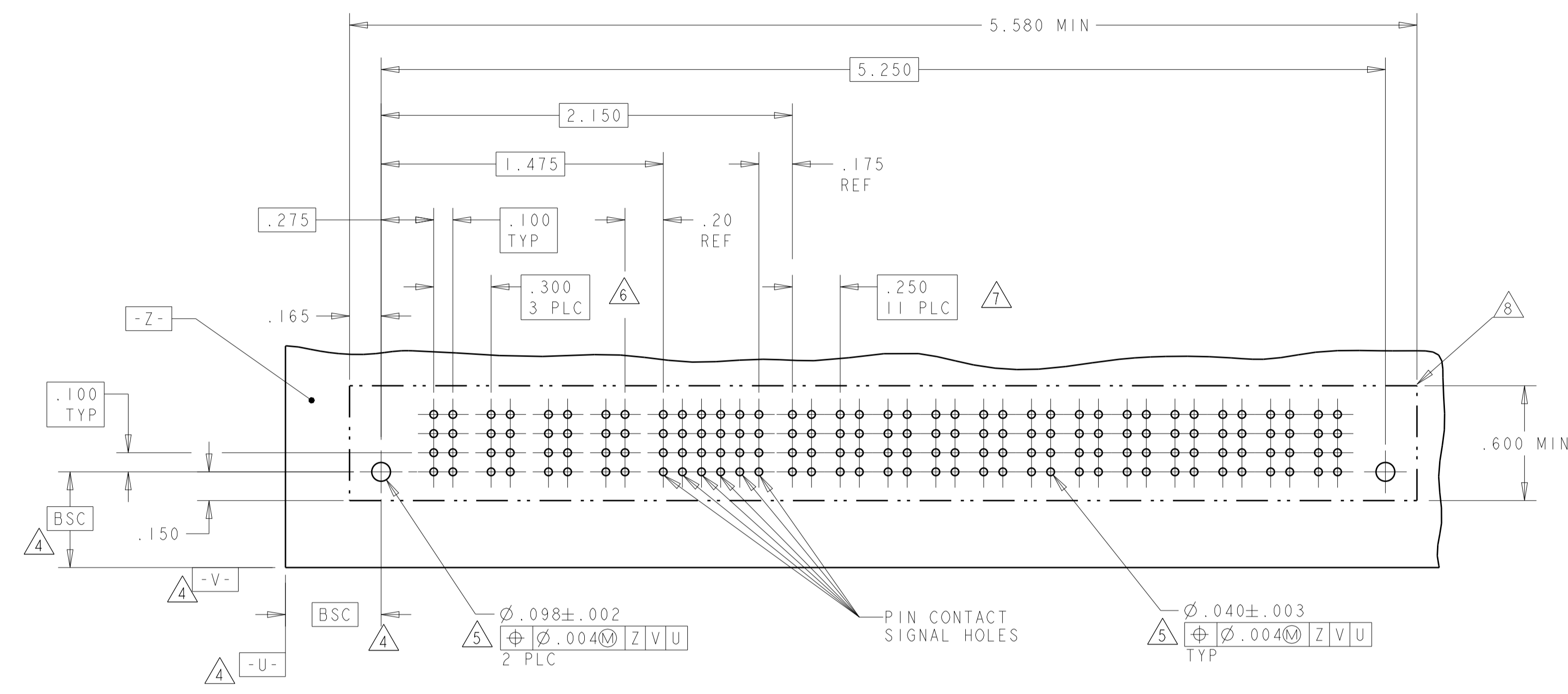
THIS DRAWING IS UNPUBLISHED. RELEASED FOR PUBLICATION 20  
 © COPYRIGHT 20 TE CONNECTIVITY ALL RIGHTS RESERVED.

| LOC | DIST | REVISIONS |     |             |      |     |      |
|-----|------|-----------|-----|-------------|------|-----|------|
|     |      | P         | LTN | DESCRIPTION | DATE | DWN | APVD |
| ES  | 00   | -         |     | SEE SHEET 1 | -    | -   | -    |
|     |      |           |     |             |      |     |      |
|     |      |           |     |             |      |     |      |

| DIM "CL" | DIM "TT" | DIM "W" | DIM "U" | DIM "T" | DIM "S" | DIM "R" | DIM "L" | DIM "K" | DIM "G" | DIM "D" | RETENTION CLIP | DESCRIPTION       | PART NUMBER |
|----------|----------|---------|---------|---------|---------|---------|---------|---------|---------|---------|----------------|-------------------|-------------|
| .135     | .300     | .175    | 1.600   | -       | -       | 1.050   | 1.950   | .275    | .450    | 1.650   | YES            | 1P + 32S + 1P     | 2-6600330-5 |
| .135     | .300     | .175    | 1.300   | -       | -       | .750    | 1.650   | .275    | .450    | 1.350   | YES            | 1P + 20S + 1P     | 2-6600330-4 |
| .135     | .175     | -       | .400    | -       | -       | -       | .750    | .200    | .375    | .450    | YES            | 4S                | 2-6600330-3 |
| .135     | .300     | .425    | 1.600   | .250    | .250    | .800    | 1.950   | .275    | .450    | 1.650   | YES            | 2P + 12S + 2P     | 2-6600330-1 |
| .135     | .300     | .925    | 3.200   | .250    | .250    | 1.900   | 3.550   | .275    | .450    | 3.250   | YES            | 4P + 36S + 4P     | 2-6600330-0 |
| .135     | .300     | .975    | 3.000   | .250    | .250    | 1.700   | 3.350   | .275    | .450    | 3.050   | YES            | 4P + 24S + 4P     | 1-6600330-9 |
| .135     | .300     | .375    | 2.400   | .200    | .200    | 1.650   | 2.750   | .275    | .450    | 2.450   | YES            | 2HDP + 48S + 2HDP | 1-6600330-3 |
| .135     | .300     | .675    | 2.400   | .250    | .250    | 1.350   | 2.750   | .275    | .450    | 2.450   | YES            | 3P + 24S + 3P     | 1-6600330-2 |
| .135     | .325     | 1.700   | 4.500   | .300    | .300    | 2.400   | 4.850   | .300    | .475    | 4.550   | YES            | 6ACP + 24S + 6ACP | 1-6600330-1 |
| .135     | .300     | 2.175   | 5.400   | .250    | .250    | 2.850   | 5.750   | .275    | .450    | 5.450   | YES            | 9P + 24S + 9P     | 1-6600330-0 |
| .135     | .300     | .925    | 2.900   | .250    | .250    | 1.600   | 3.250   | .275    | .450    | 2.950   | NO             | 4P + 24S + 4P     | 6600330-9   |
| .135     | .300     | .975    | 3.250   | .250    | .250    | 1.700   | 3.600   | .275    | .450    | 3.300   | YES            | 4P + 24S + 5P     | 6600330-8   |
| .165     | .300     | .425    | 1.900   | .250    | .250    | 1.100   | 2.250   | .275    | .450    | 1.950   | YES            | 2P + 24S + 2P     | 6600330-6   |
| .135     | .300     | 1.375   | 4.000   | .200    | .200    | 2.250   | 4.350   | .275    | .450    | 4.050   | YES            | 7P + 32S + 7P     | 6600330-5   |
| .135     | .325     | .225    | 1.575   | -       | -       | .950    | 1.925   | .300    | .475    | 1.625   | YES            | 1P + 24S + 1P     | 6600330-4   |
| .135     | .300     | 1.975   | 4.200   | .300    | .250    | 2.725   | 4.550   | .275    | .450    | 4.250   | YES            | 8P + 24S + 4ACP   | 6600330-3   |
| .135     | .325     | .250    | 2.500   | -       | -       | 1.900   | 2.850   | .300    | .475    | 2.550   | YES            | 1P + 60S + 1P     | 6600330-2   |
| .135     | .325     | 1.150   | 5.200   | .250    | .300    | 1.875   | 5.550   | .300    | .475    | 5.250   | YES            | 4ACP + 24S + 12P  | 6600330-1   |

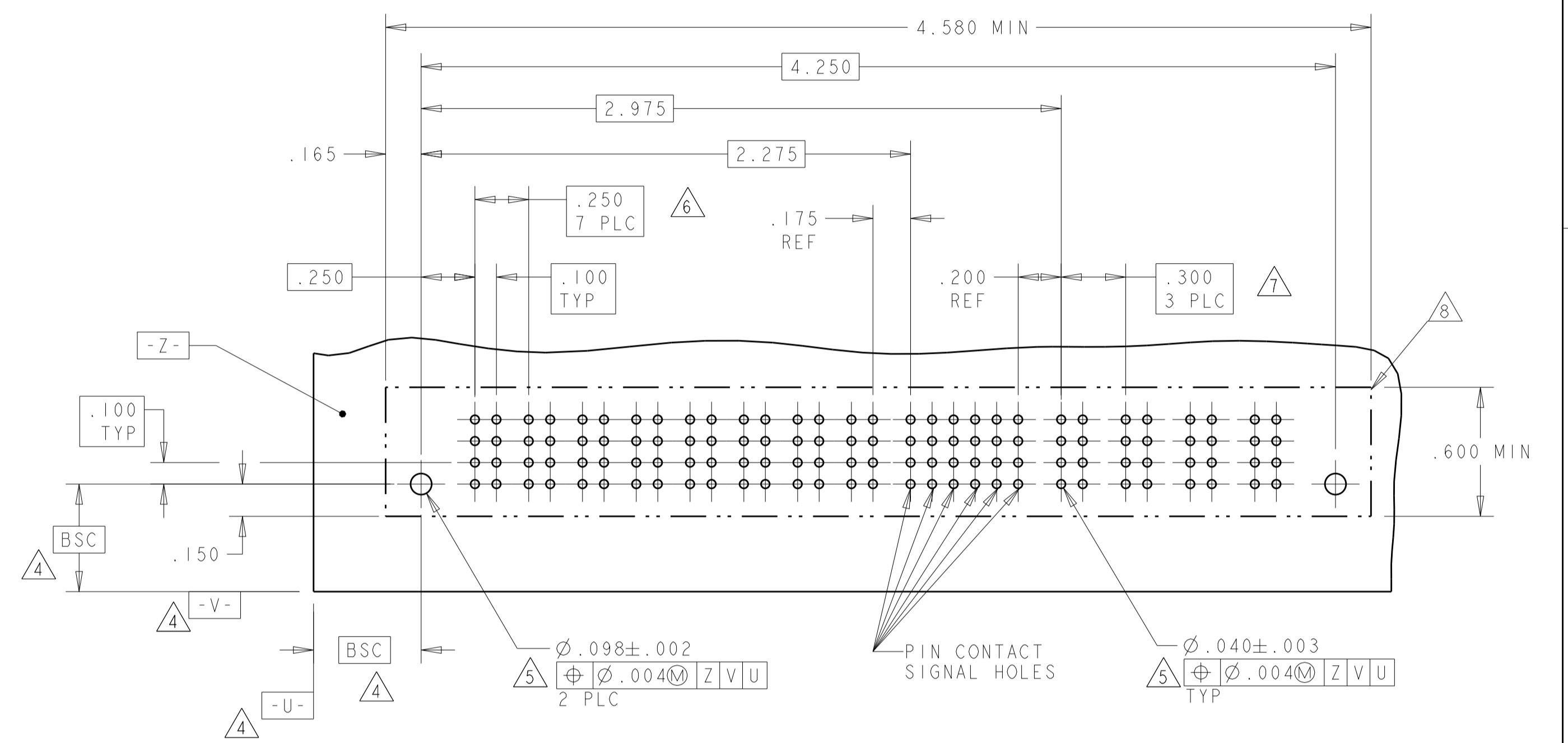
|   |  |   |   |
|---|--|---|---|
| THIS DRAWING IS A CONTROLLED DOCUMENT.  |  | DWN<br>J. McCLINTON<br>22MAR2005                          |  TE Connectivity |
| DIMENSIONS:<br>INCH   |  | CHK<br>D. TROUT<br>22MAR2005                              |   |
|                                  |  | APVD<br>B. WHYNE<br>22MAR2005                             | NAME<br>VERTICAL HEADER ASSEMBLY<br>W/ GUIDES AND SOLDER TAILS<br>MULTI-BEAM XL                       |
| TOLERANCES UNLESS OTHERWISE SPECIFIED:<br>0 PLC ±.<br>1 PLC ±.<br>2 PLC ±.<br>3 PLC ±.<br>4 PLC ±.002<br>ANGLES ±.002 |  | PRODUCT SPEC<br>108-1973<br>APPLICATION SPEC<br>114-13038 | SIZE<br>A100779   |
| MATERIAL  |  | WEIGHT  | RESTRICTED TO   |
| FINISH  |  | CUSTOMER DRAWING  | SCALE 4:1 SHEET 2 OF 10 REV J7  |

| PART NUMBER | ROWS | POWER |    |    |    | SIGNAL |    |    |    |    |    | POWER |    |    |    |    |     |     |     |     |     |     |     |    |    |    |    |    |  |
|-------------|------|-------|----|----|----|--------|----|----|----|----|----|-------|----|----|----|----|-----|-----|-----|-----|-----|-----|-----|----|----|----|----|----|--|
|             |      | P1    | P2 | P3 | P4 | 1      | 2  | 3  | 4  | 5  | 6  | P5    | P6 | P7 | P8 | P9 | P10 | P11 | P12 | P13 | P14 | P15 | P16 |    |    |    |    |    |  |
| 6600330-1   | D    | SZ    | SZ | SZ | SZ | SV     | SV | SV | SV | SV | SV | SV    | SV | SV | SV | SV | SV  | SV  | SV  | SV  | SV  | SV  | SV  |    |    |    |    |    |  |
|             | C    |       |    |    |    | SV     | SV | SV | SV | SV | SV | SV    | SV | SV | SV | SV | SV  | SV  | SV  | SV  | SV  | SV  | SV  | SV | SV | SV |    |    |  |
|             | B    |       |    |    |    | SV     | SV | SV | SV | SV | SV | SV    | SV | SV | SV | SV | SV  | SV  | SV  | SV  | SV  | SV  | SV  | SV | SV | SV | SV |    |  |
|             | A    |       |    |    |    | SV     | SV | SV | SV | SV | SV | SV    | SV | SV | SV | SV | SV  | SV  | SV  | SV  | SV  | SV  | SV  | SV | SV | SV | SV |    |  |
| 4P+24S+12P  |      | HD    |    |    |    |        |    |    |    |    |    |       |    |    |    |    |     |     |     |     |     |     |     |    |    |    |    | HD |  |



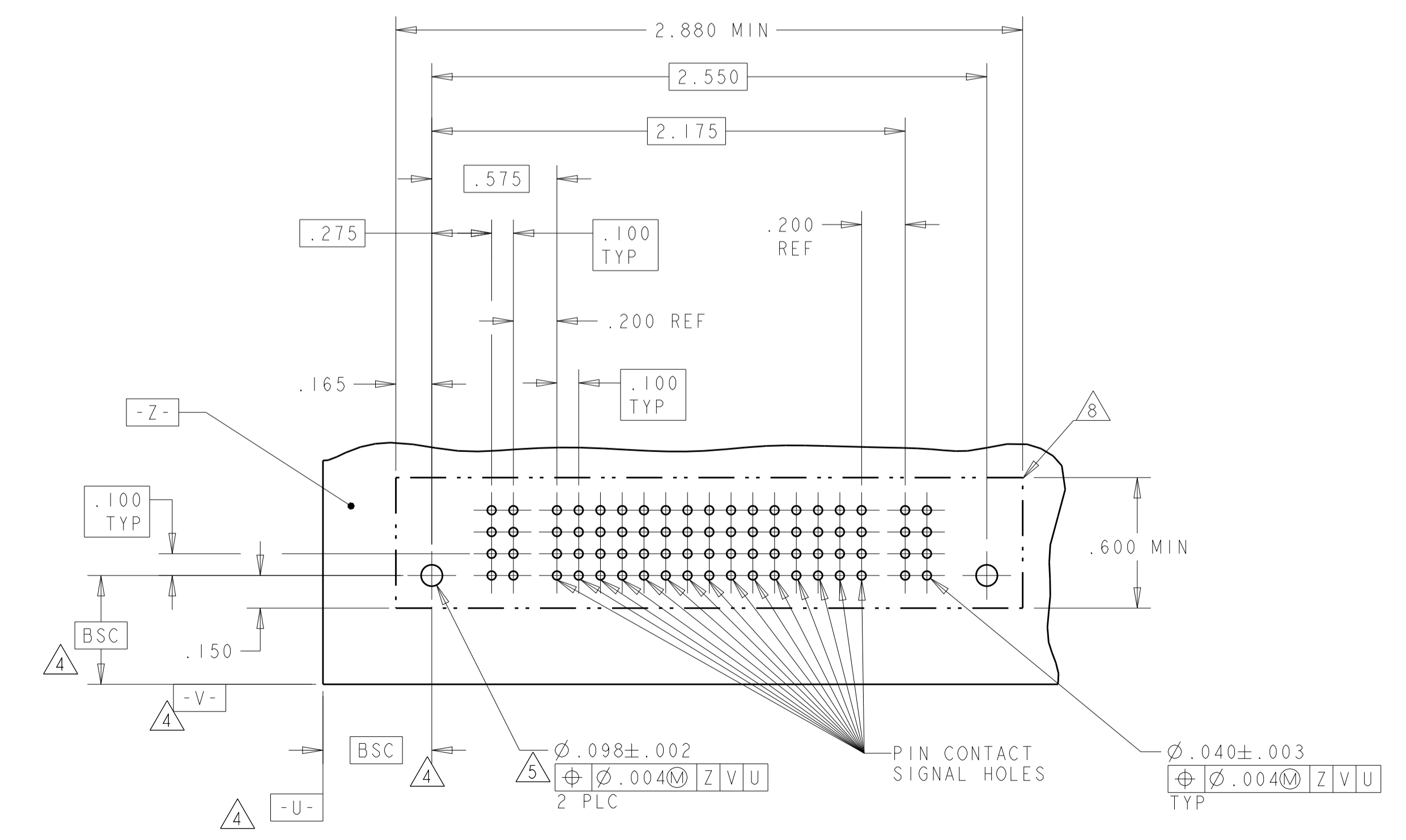
RECOMMENDED PCB LAYOUT 6600330-1  
 SCALE 2:1

| PART NUMBER | ROWS | POWER |    |    |    | SIGNAL |    |    |    |    |    | POWER |    |    |    |    |     |     |     |    |    |    |    |    |    |    |    |    |    |    |    |    |    |    |    |    |    |    |    |    |    |    |    |    |    |    |
|-------------|------|-------|----|----|----|--------|----|----|----|----|----|-------|----|----|----|----|-----|-----|-----|----|----|----|----|----|----|----|----|----|----|----|----|----|----|----|----|----|----|----|----|----|----|----|----|----|----|----|
|             |      | P1    | P2 | P3 | P4 | P5     | P6 | P7 | P8 | 1  | 2  | 3     | 4  | 5  | 6  | P9 | P10 | P11 | P12 |    |    |    |    |    |    |    |    |    |    |    |    |    |    |    |    |    |    |    |    |    |    |    |    |    |    |    |
| 6600330-3   | D    | SZ    | SZ | SZ | SZ | SZ     | SZ | SZ | SZ | SZ | SZ | SZ    | SZ | SZ | SZ | SZ | SZ  | SZ  | SZ  | SZ | SZ | SZ | SZ |    |    |    |    |    |    |    |    |    |    |    |    |    |    |    |    |    |    |    |    |    |    |    |
|             | C    |       |    |    |    |        |    |    |    |    |    |       |    |    |    |    |     |     |     |    |    |    |    | SV | SV | SV | SV | SV | SV | SV | SV | SV | SV | SV | SV | SV | SV | SV | SV | SV | SV | SV | SV | SV |    |    |
|             | B    |       |    |    |    |        |    |    |    |    |    |       |    |    |    |    |     |     |     |    |    |    |    | SV | SV | SV | SV | SV | SV | SV | SV | SV | SV | SV | SV | SV | SV | SV | SV | SV | SV | SV | SV | SV | SV | SV |
|             | A    |       |    |    |    |        |    |    |    |    |    |       |    |    |    |    |     |     |     |    |    |    |    | SV | SV | SV | SV | SV | SV | SV | SV | SV | SV | SV | SV | SV | SV | SV | SV | SV | SV | SV | SV | SV | SV | SV |
| 8P+24S+4ACP |      | HD    |    |    |    |        |    |    |    |    |    |       |    |    |    |    |     |     |     |    |    | HD |    |    |    |    |    |    |    |    |    |    |    |    |    |    |    |    |    |    |    |    |    |    |    |    |



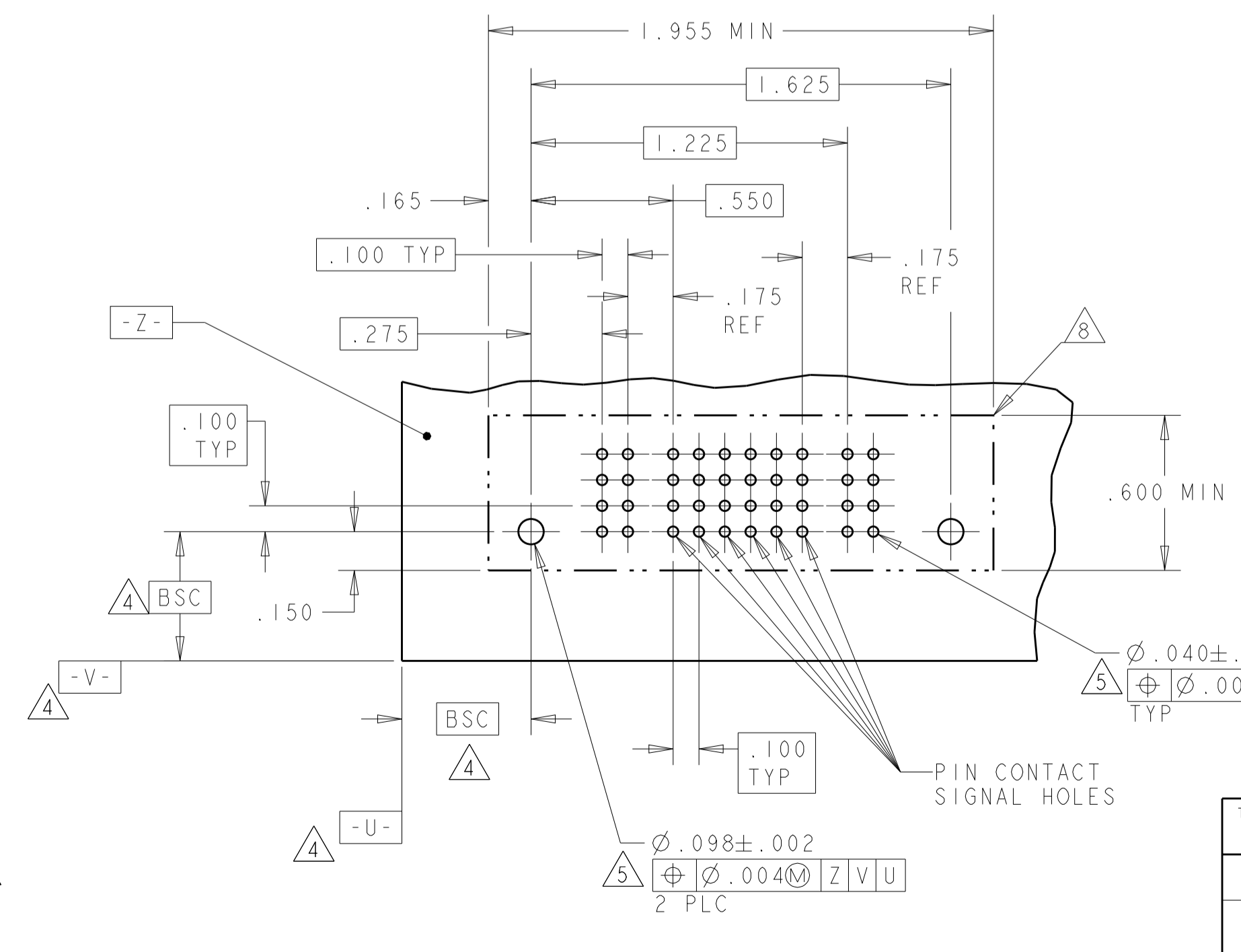
RECOMMENDED PCB LAYOUT 6600330-3  
 SCALE 2:1

| PART NUMBER | ROWS | SIGNAL |    |    |    |    |    |    |    |    |    |    |    |    |    | POWER |    |    |    |    |    |    |    |    |    |    |
|-------------|------|--------|----|----|----|----|----|----|----|----|----|----|----|----|----|-------|----|----|----|----|----|----|----|----|----|----|
|             |      | P1     | 1  | 2  | 3  | 4  | 5  | 6  | 7  | 8  | 9  | 10 | 11 | 12 | 13 | 14    | 15 | P2 |    |    |    |    |    |    |    |    |
| 6600330-2   | D    | SZ     | SV | SV | SV | SV | SV | SV | SV | SV | SV | SV | SV | SV | SV | SV    | SV | SV | SV | SV | SV | SV | SV | SV |    |    |
|             | C    |        | SV | SV | SV | SV | SV | SV | SV | SV | SV | SV | SV | SV | SV | SV    | SV | SV | SV | SV | SV | SV | SV | SV | SV |    |
|             | B    |        | SV | SV | SV | SV | SV | SV | SV | SV | SV | SV | SV | SV | SV | SV    | SV | SV | SV | SV | SV | SV | SV | SV | SV | SV |
|             | A    |        | SV | SV | SV | SV | SV | SV | SV | SV | SV | SV | SV | SV | SV | SV    | SV | SV | SV | SV | SV | SV | SV | SV | SV | SV |
| 1P+60S+1P   |      | HD     |    |    |    |    |    |    |    |    |    |    |    |    |    |       |    |    |    |    |    | HD |    |    |    |    |



RECOMMENDED PCB LAYOUT 6600330-2  
 SCALE 2:1

| PART NUMBER | ROWS | SIGNAL |    |    |    |    |    | POWER |    |    |    |    |    |    |
|-------------|------|--------|----|----|----|----|----|-------|----|----|----|----|----|----|
|             |      | P1     | 1  | 2  | 3  | 4  | 5  | 6     | P2 |    |    |    |    |    |
| 6600330-4   | D    | SZ     | SV | SV | SV | SV | SV | SV    | SV | SV | SV | SV | SV |    |
|             | C    |        | SV | SV | SV | SV | SV | SV    | SV | SV | SV | SV | SV |    |
|             | B    |        | SV | SV | SV | SV | SV | SV    | SV | SV | SV | SV | SV | SV |
|             | A    |        | SV | SV | SV | SV | SV | SV    | SV | SV | SV | SV | SV | SV |
| 1P+24S+1P   |      | HD     |    |    |    |    |    |       |    | HD |    |    |    |    |



RECOMMENDED PCB LAYOUT 6600330-4  
 SCALE 2:1

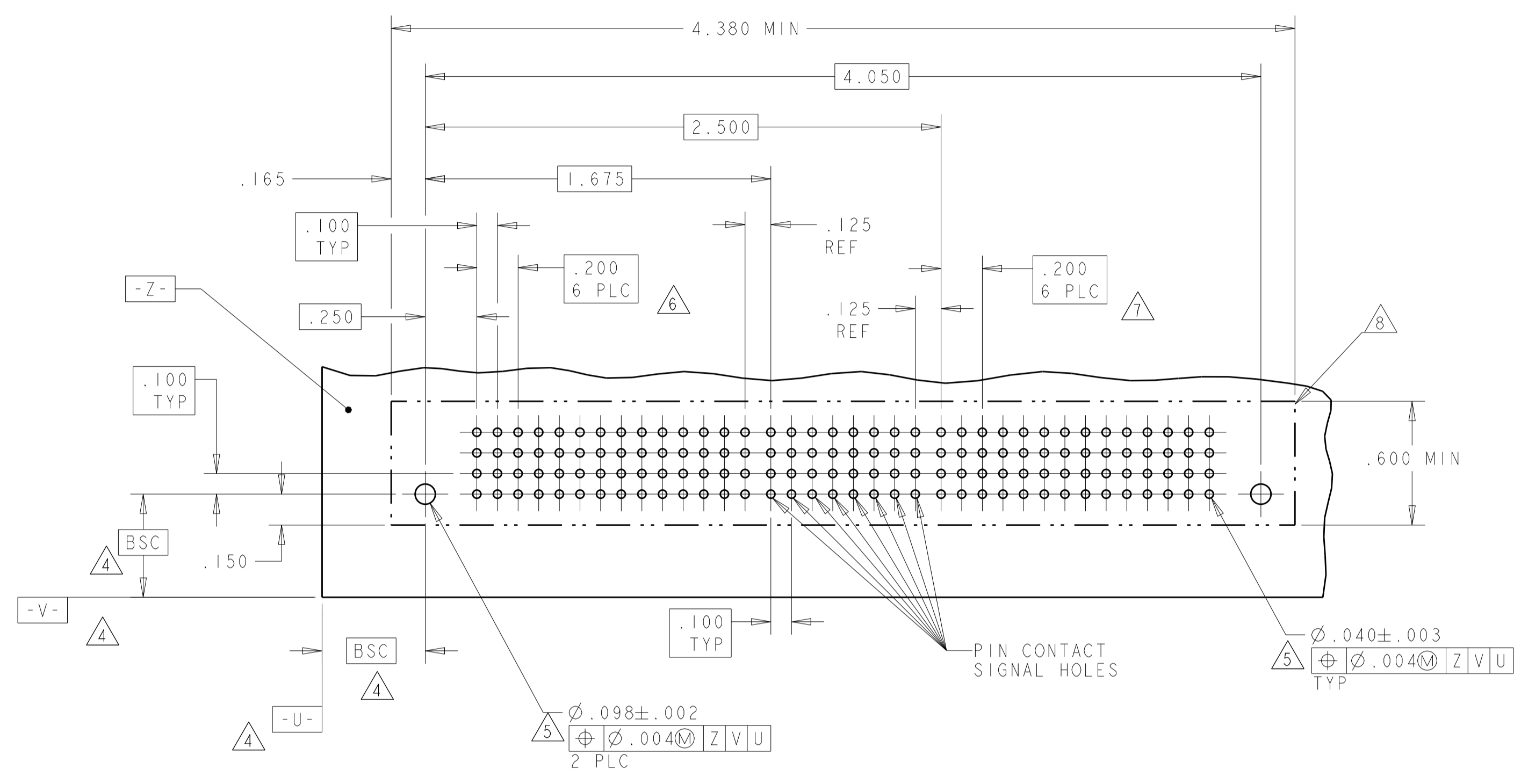
|                 |                |            |
|-----------------|----------------|------------|
| -               | RETENTION CLIP | HD         |
| STANDARD        | SIGNAL CONTACT | SV or MV   |
| MLBF            | SIGNAL CONTACT | SS or MS   |
| -               | POWER CONTACT  | SZ or MP   |
| MATING SEQUENCE | DESCRIPTION    | IDENTIFIER |

|  |        |                                |
|--|--------|--------------------------------|
| THIS DRAWING IS A CONTROLLED DOCUMENT. |        | DWN J. McCLINTON 22MAR2005     |
| DIMENSIONS: INCH                       |        | CHK D. TROUT 22MAR2005         |
| TOLERANCES UNLESS OTHERWISE SPECIFIED: |        | APVD R. MLYNE 22MAR2005        |
| 0 PLC                                  | ±      | NAME                           |
| 1 PLC                                  | ±      | PRODUCT SPEC                   |
| 2 PLC                                  | ±      | 108-1973                       |
| 3 PLC                                  | ±.005  | APPLICATION SPEC               |
| 4 PLC                                  | ±.0020 | SIZE CAGE CODE DRAWING NO      |
| ANGLES                                 | ±      | 114-13038                      |
| MATERIAL                               | FINISH | WEIGHT                         |
|  |        | A100779C=6600330               |
| CUSTOMER DRAWING                       |        | SCALE 4:1 SHEET 3 OF 10 REV J7 |

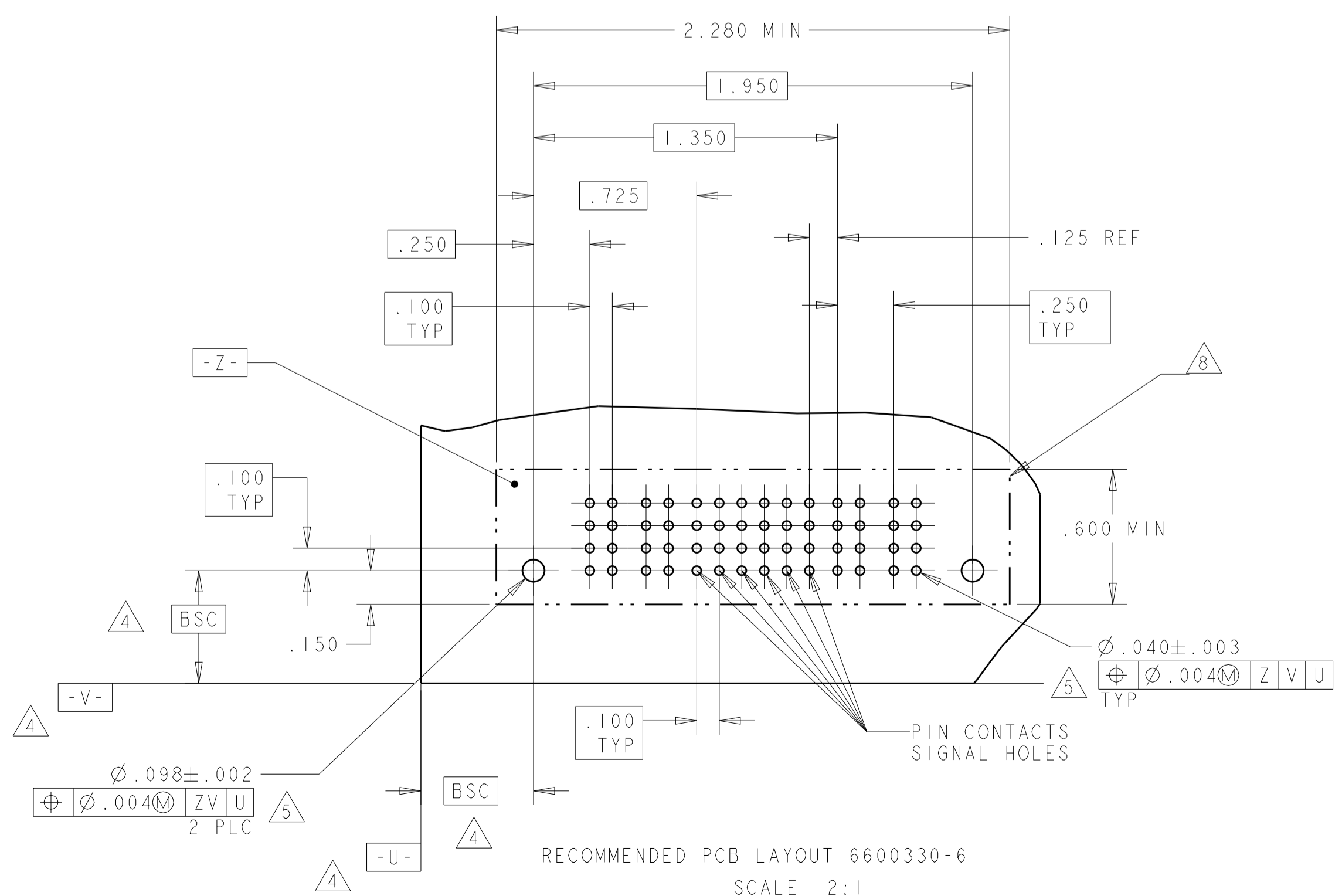
| LOC | DIST | REVISIONS   |      |     |      |
|-----|------|-------------|------|-----|------|
| P   | LTN  | DESCRIPTION | DATE | OWN | APVD |
| ES  | 00   | SEE SHEET 1 |      |     |      |

| PART NUMBER | ROWS | POWER |    |    |    |    |    | SIGNAL |    |    |    |    |    |    |    | POWER |    |    |     |     |     |     |     |  |  |  |  |    |
|-------------|------|-------|----|----|----|----|----|--------|----|----|----|----|----|----|----|-------|----|----|-----|-----|-----|-----|-----|--|--|--|--|----|
|             |      | P1    | P2 | P3 | P4 | P5 | P6 | P7     | 1  | 2  | 3  | 4  | 5  | 6  | 7  | 8     | P8 | P9 | P10 | P11 | P12 | P13 | P14 |  |  |  |  |    |
| 6600330-5   | D    | SZ    | SZ | SZ | SZ | SZ | SZ | SV     | SV | SV | SV | SV | SV | SV | SV | SZ    | SZ | SZ | SZ  | SZ  | SZ  | SZ  |     |  |  |  |  |    |
|             | SV   |       |    |    |    |    |    | SV     | SV | SV | SV | SV | SV | SV |    |       |    |    |     |     |     |     |     |  |  |  |  |    |
|             | SV   |       |    |    |    |    |    | SV     | SV | SV | SV | SV | SV | SV |    |       |    |    |     |     |     |     |     |  |  |  |  |    |
|             | SV   |       |    |    |    |    |    | SV     | SV | SV | SV | SV | SV | SV |    |       |    |    |     |     |     |     |     |  |  |  |  |    |
| 7P+32S+7P   | HD   |       |    |    |    |    |    |        |    |    |    |    |    |    |    |       |    |    |     |     |     |     |     |  |  |  |  | HD |



RECOMMENDED PCB LAYOUT 6600330-5  
 SCALE 2:1

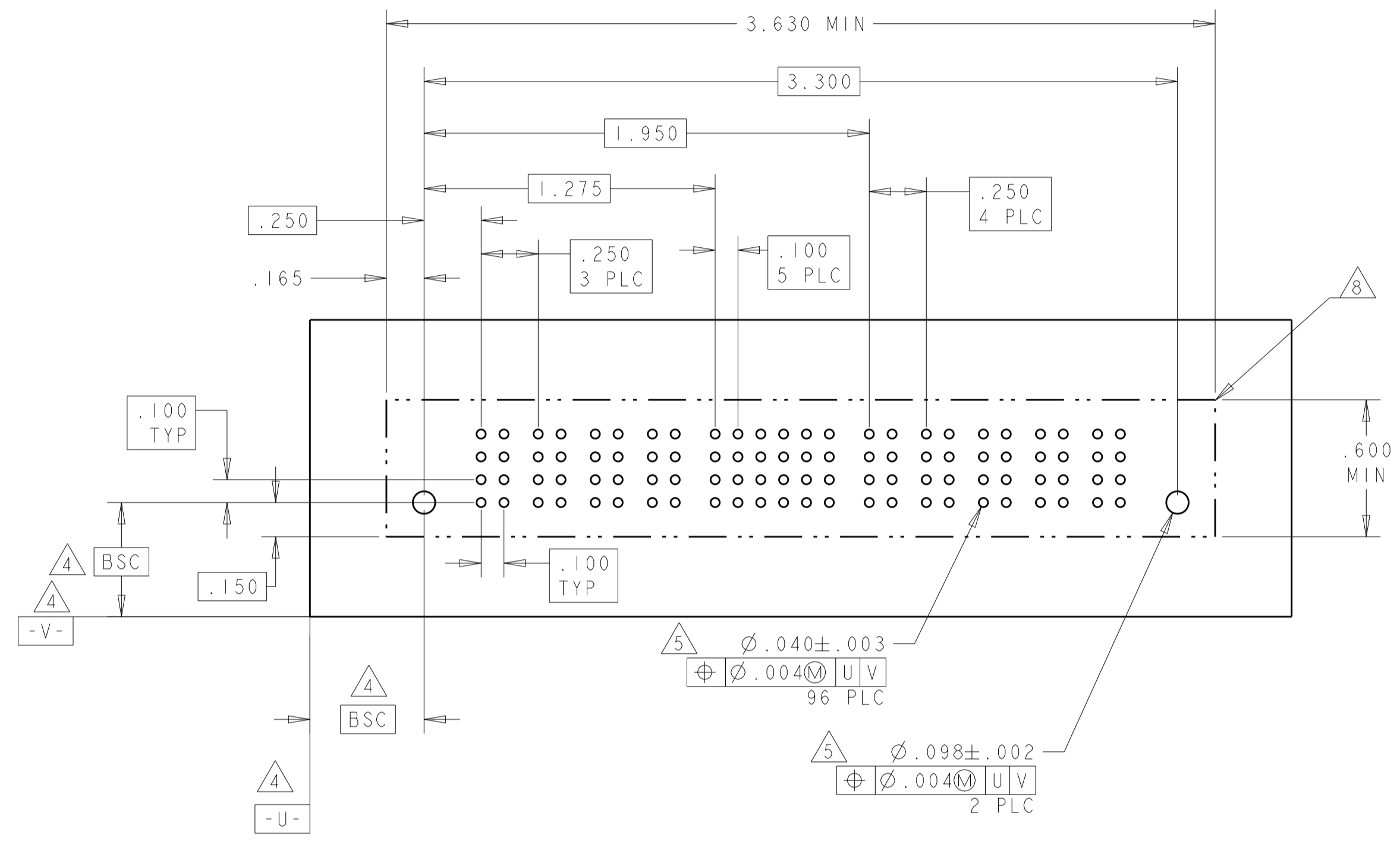
| PART NUMBER | ROWS | POWER |    | SIGNAL |    |    |    |    |    | POWER |    |    |
|-------------|------|-------|----|--------|----|----|----|----|----|-------|----|----|
|             |      | P1    | P2 | 1      | 2  | 3  | 4  | 5  | 6  | P3    | P4 |    |
| 6600330-6   | D    | MP    | MP | MV     | MV | MS | MV | MV | MV | MP    | MP |    |
|             | MV   |       |    | MV     | MV | MV | MV | MV |    |       |    |    |
|             | MV   |       |    | MV     | MS | MV | MV | MV |    |       |    |    |
|             | MV   |       |    | MV     | MV | MV | MV | MV |    |       |    |    |
| 2P+24S+2P   | HD   |       |    |        |    |    |    |    |    |       |    | HD |



RECOMMENDED PCB LAYOUT 6600330-6  
 SCALE 2:1

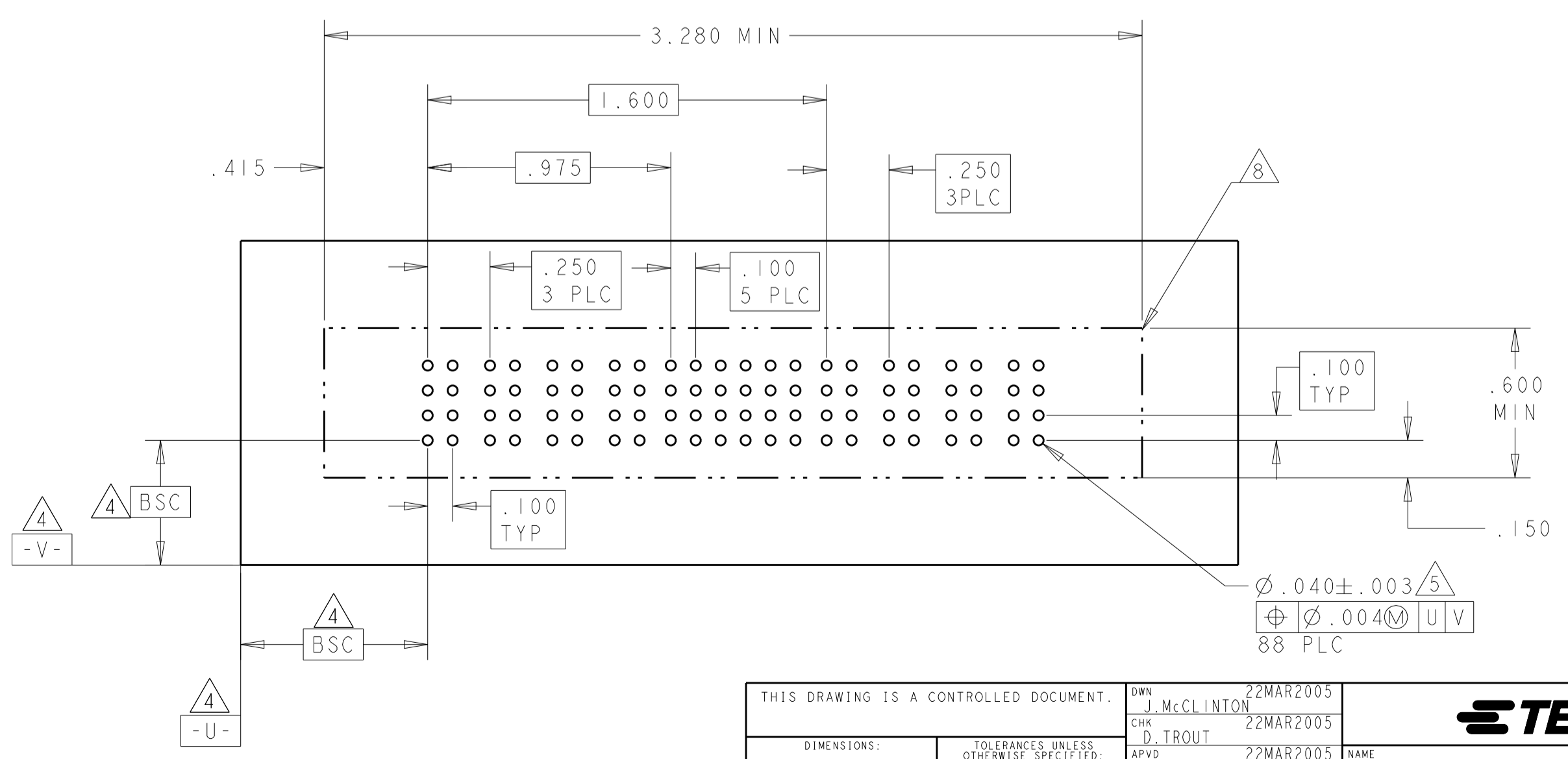
| PART NUMBER | ROWS | POWER |    |    |    | SIGNAL |    |    |    |    | POWER |    |    |    |    |    |    |
|-------------|------|-------|----|----|----|--------|----|----|----|----|-------|----|----|----|----|----|----|
|             |      | P1    | P2 | P3 | P4 | 1      | 2  | 3  | 4  | 5  | 6     | P5 | P6 | P7 | P8 | P9 |    |
| 6600330-8   | D    | SZ    | SZ | SZ | SZ | SS     | SV | SS | SV | SV |       | SZ | SZ | SZ | SZ | SZ |    |
|             | SV   |       |    |    |    | SV     | SV | SV | SV |    |       |    |    |    |    |    |    |
|             | SV   |       |    |    |    | SS     | SV | SS | SV |    |       |    |    |    |    |    |    |
|             | SS   |       |    |    |    | SS     | SV | SV | SS |    |       |    |    |    |    |    |    |
| 4P+24S+5P   | HD   |       |    |    |    |        |    |    |    |    |       |    |    |    |    |    | HD |

NO CONTACTS LOADED



RECOMMENDED PCB LAYOUT FOR 6600330-8

| PART NUMBER | ROWS | POWER |    |    |    | SIGNAL |    |    |    |    |    | POWER |    |    |    |
|-------------|------|-------|----|----|----|--------|----|----|----|----|----|-------|----|----|----|
|             |      | P1    | P2 | P3 | P4 | 1      | 2  | 3  | 4  | 5  | 6  | P5    | P6 | P7 | P8 |
| 6600330-9   | D    | SZ    | SZ | SZ | SZ | SV     | SV | SV | SV | SV | SV | SZ    | SZ | SZ | SZ |
|             | SV   |       |    |    |    | SV     | SV | SV | SV | SV |    |       |    |    |    |
|             | SV   |       |    |    |    | SV     | SV | SV | SV | SV |    |       |    |    |    |
|             | SV   |       |    |    |    | SV     | SV | SV | SV | SV |    |       |    |    |    |
| 4P+24S+4P   |      |       |    |    |    |        |    |    |    |    |    |       |    |    |    |



THIS DRAWING IS A CONTROLLED DOCUMENT.

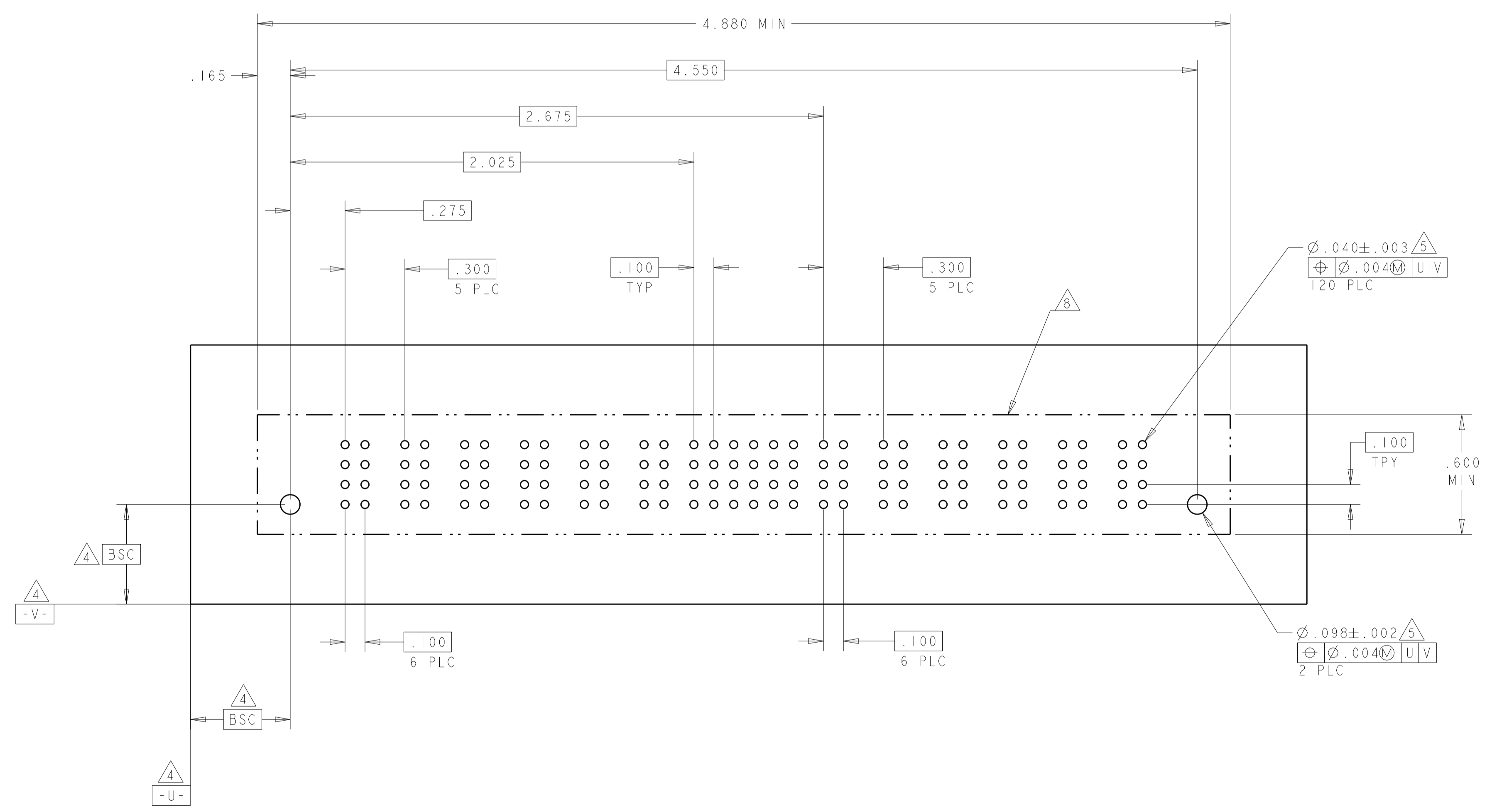
|   |  |                             |                             |                          |                |
|---|--|-----------------------------|-----------------------------|--------------------------|----------------|
| DIMENSIONS: INCH  | TOLERANCES UNLESS OTHERWISE SPECIFIED: | OWN: J. McCLINTON 22MAR2005 | CHK: D. TROUT 22MAR2005     | APVD: B. MLYNE 22MAR2005 | NAME: B. MLYNE |
| 0 PLC ± .010<br>1 PLC ± .005<br>2 PLC ± .005<br>3 PLC ± .005<br>4 PLC ± .005<br>ANGLES ± .002 |  | PRODUCT SPEC: 108-1973      | APPLICATION SPEC: 114-13038 | WEIGHT: A100779          | SCALE: 4:1     |
| MATERIAL: FINISH:   |  | CUSTOMER DRAWING            |                             | SHEET 4 OF 10            |                |

TE Connectivity  
 VERTICAL HEADER ASSEMBLY W/ GUIDES AND SOLDER TAILS MULTI-BEAM XL  
 REV J7



| LOC | DIST | REVISIONS |     |             |      |     |      |
|-----|------|-----------|-----|-------------|------|-----|------|
|     |      | P         | LTN | DESCRIPTION | DATE | DWN | APVD |
| ES  | 00   | -         | -   | SEE SHEET 1 | -    | -   | -    |
|     |      |           |     |             |      |     |      |
|     |      |           |     |             |      |     |      |

| PART NUMBER   | ROWS | POWER |    |    |    |    |    | SIGNAL |    |    |    |    |    | POWER |    |    |     |     |     |    |
|---------------|------|-------|----|----|----|----|----|--------|----|----|----|----|----|-------|----|----|-----|-----|-----|----|
|               |      | P1    | P2 | P3 | P4 | P5 | P6 | 1      | 2  | 3  | 4  | 5  | 6  | P7    | P8 | P9 | P10 | P11 | P12 |    |
| I-6600330-1   | D    | SZ    | SZ | SZ | SZ | SZ | SZ | SV     | SV | SV | SV | SV | SV | SZ    | SZ | SZ | SZ  | SZ  | SZ  |    |
|               | C    |       |    |    |    |    |    | SS     | SS | SS | SS | SS | SS |       |    |    |     |     |     |    |
|               | B    |       |    |    |    |    |    | SS     | SS | SS | SS | SS | SS |       |    |    |     |     |     |    |
|               | A    |       |    |    |    |    |    | SS     | SS | SS | SS | SS | SS |       |    |    |     |     |     |    |
| 6ACP+24S+6ACP | HD   |       |    |    |    |    |    |        |    |    |    |    |    |       |    |    |     |     |     | HD |



|  |        |                                  |   |       |   |       |   |       |   |       |       |        |        |        |  |                          |               |
|--|--------|----------------------------------|---|-------|---|-------|---|-------|---|-------|-------|--------|--------|--------|--|--------------------------|---------------|
| THIS DRAWING IS A CONTROLLED DOCUMENT.   |        | DWN<br>J. McCLINTON<br>22MAR2005 |   |       |   |       |   |       |   |       |       |        |        |        |  |                          |               |
| DIMENSIONS:<br>INCH  |        | CHK<br>D. TROUT<br>22MAR2005     |   |       |   |       |   |       |   |       |       |        |        |        |  |                          |               |
| TOLERANCES UNLESS OTHERWISE SPECIFIED:   |        | APVD<br>B. WHYNE<br>22MAR2005    | NAME<br>VERTICAL HEADER ASSEMBLY<br>W/ GUIDES AND SOLDER TAILS<br>MULTI-BEAM XL |       |   |       |   |       |   |       |       |        |        |        |  |                          |               |
| <table border="1"> <tr> <td>0 PLC</td> <td>±</td> </tr> <tr> <td>1 PLC</td> <td>±</td> </tr> <tr> <td>2 PLC</td> <td>±</td> </tr> <tr> <td>3 PLC</td> <td>±</td> </tr> <tr> <td>4 PLC</td> <td>±.005</td> </tr> <tr> <td>ANGLES</td> <td>±.0020</td> </tr> <tr> <td>FINISH</td> <td></td> </tr> </table> |        | 0 PLC                            | ±   | 1 PLC | ± | 2 PLC | ± | 3 PLC | ± | 4 PLC | ±.005 | ANGLES | ±.0020 | FINISH |  | PRODUCT SPEC<br>108-1973 | RESTRICTED TO |
| 0 PLC  | ±      |                                  |   |       |   |       |   |       |   |       |       |        |        |        |  |                          |               |
| 1 PLC  | ±      |                                  |   |       |   |       |   |       |   |       |       |        |        |        |  |                          |               |
| 2 PLC  | ±      |                                  |   |       |   |       |   |       |   |       |       |        |        |        |  |                          |               |
| 3 PLC  | ±      |                                  |   |       |   |       |   |       |   |       |       |        |        |        |  |                          |               |
| 4 PLC  | ±.005  |                                  |   |       |   |       |   |       |   |       |       |        |        |        |  |                          |               |
| ANGLES   | ±.0020 |                                  |   |       |   |       |   |       |   |       |       |        |        |        |  |                          |               |
| FINISH   |        |                                  |   |       |   |       |   |       |   |       |       |        |        |        |  |                          |               |
| MATERIAL   |        | APPLICATION SPEC<br>114-13038    | SIZE<br>A100779   |       |   |       |   |       |   |       |       |        |        |        |  |                          |               |
| CUSTOMER DRAWING   |        | WEIGHT                           | CAGE CODE<br>6600330  |       |   |       |   |       |   |       |       |        |        |        |  |                          |               |
| SCALE 4:1  |        | SHEET 6 OF 10                    | REV J7  |       |   |       |   |       |   |       |       |        |        |        |  |                          |               |

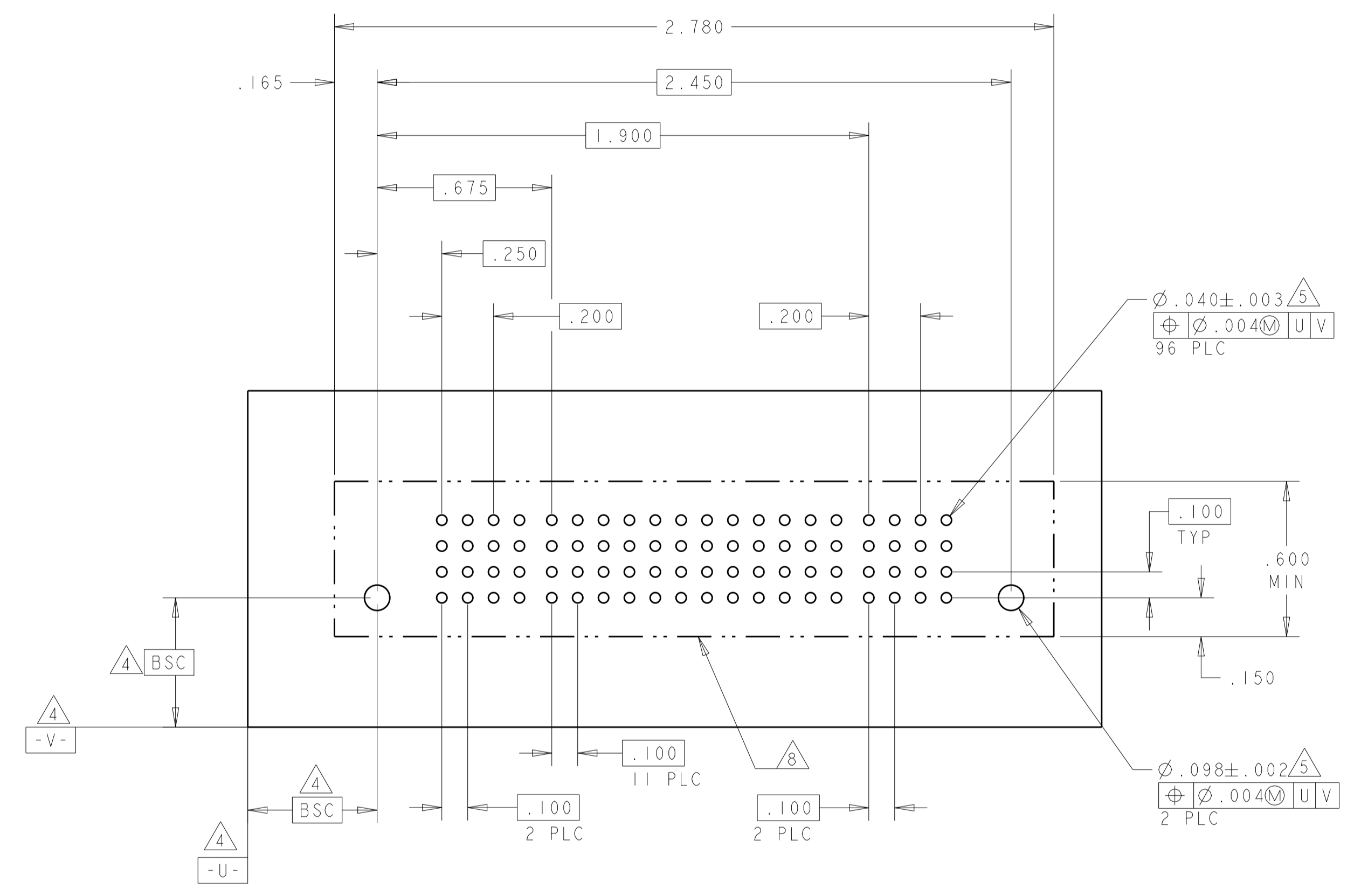
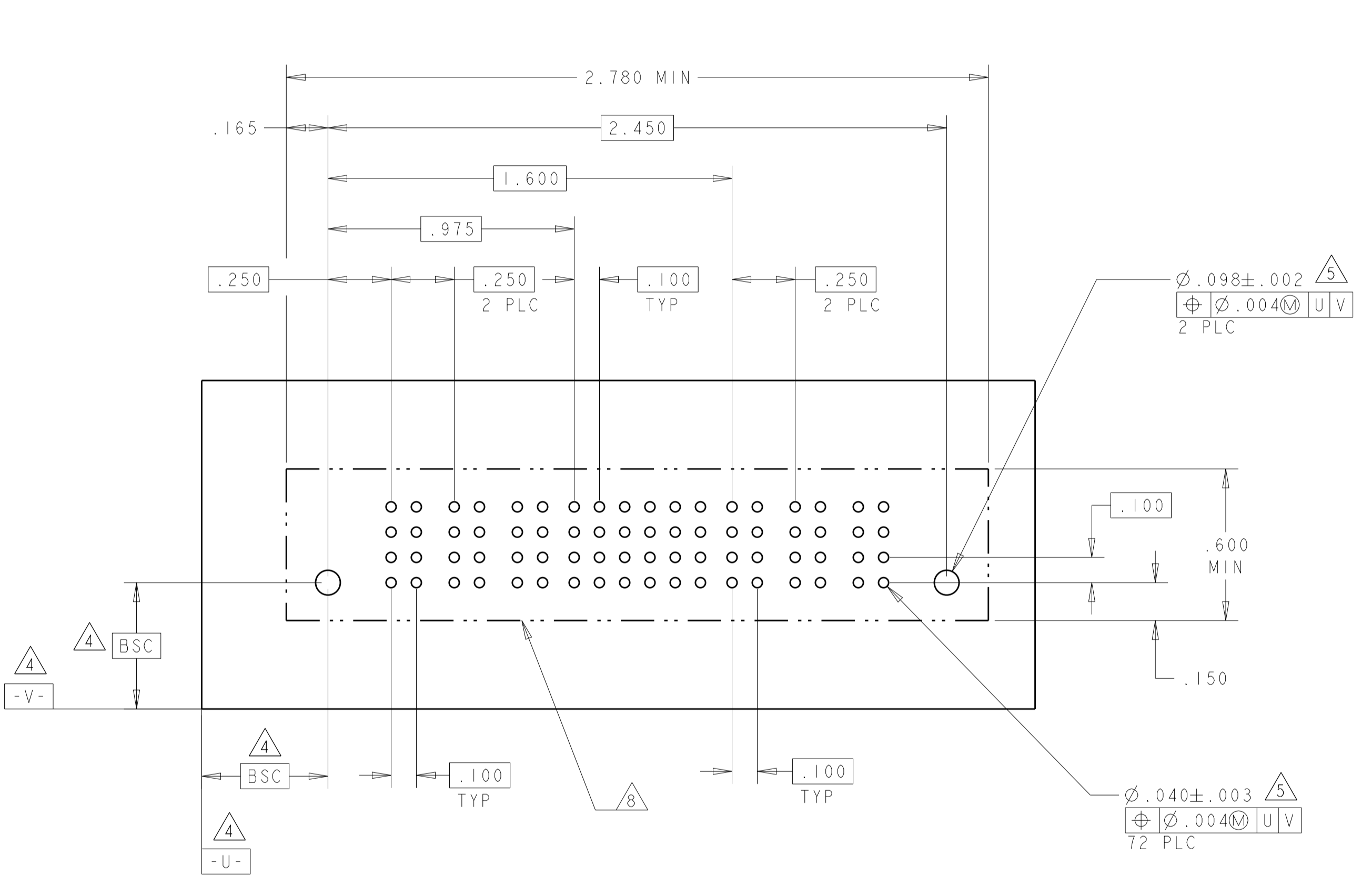
| LOC | DIST | REV | DATE | BY | APPV |
|-----|------|-----|------|----|------|
| ES  | 00   |     |      |    |      |

| REVISIONS   |      |    |      |
|-------------|------|----|------|
| REV         | DATE | BY | APPV |
| -           | -    | -  | -    |
| SEE SHEET 1 |      |    |      |

| PART NUMBER   | ROWS | POWER |    |    | SIGNAL |    |    |    |    |    | POWER |    |    |    |    |
|---------------|------|-------|----|----|--------|----|----|----|----|----|-------|----|----|----|----|
|               |      | P1    | P2 | P3 | 1      | 2  | 3  | 4  | 5  | 6  | P4    | P5 | P6 |    |    |
| 1-6600330-2   | D    | SZ    | SZ | SZ | SV     | SV | SV | SV | SV | SV | SV    | SV | SV |    |    |
|               | C    |       |    |    | SV     | SV | SV | SV | SV | SV | SV    | SV | SV | SV |    |
|               | B    |       |    |    | SV     | SV | SV | SV | SV | SV | SV    | SV | SV | SV | SV |
|               | A    |       |    |    | SV     | SV | SV | SV | SV | SV | SV    | SV | SV | SV | SV |
| 3P + 24S + 3P |      |       |    |    |        |    |    |    |    |    |       |    |    |    |    |

| PART NUMBER       | ROWS | POWER |    | SIGNAL |    |    |    |    |    |    |    |    |    |    |    | POWER |    |    |
|-------------------|------|-------|----|--------|----|----|----|----|----|----|----|----|----|----|----|-------|----|----|
|                   |      | P1    | P2 | 1      | 2  | 3  | 4  | 5  | 6  | 7  | 8  | 9  | 10 | 11 | 12 | P3    | P4 |    |
| 1-6600330-3       | D    | SZ    | SZ | SV     | SV | SS | SS | SV | SS | SS | SV | SS | SS | SV | SS | SS    | SV | SS |
|                   | C    |       |    | SS     | SS | SV | SS | SS | SS | SS | SV | SS | SS | SS | SS | SS    | SS | SS |
|                   | B    |       |    | SV     | SV | SS | SS | SS | SS | SS | SS | SV | SS | SS | SS | SS    | SS | SS |
|                   | A    |       |    | SS     | SS | SV | SS | SS | SS | SS | SS | SV | SS | SS | SS | SS    | SS | SS |
| 2HDP + 48S + 2HDP |      |       |    |        |    |    |    |    |    |    |    |    |    |    |    |       |    |    |

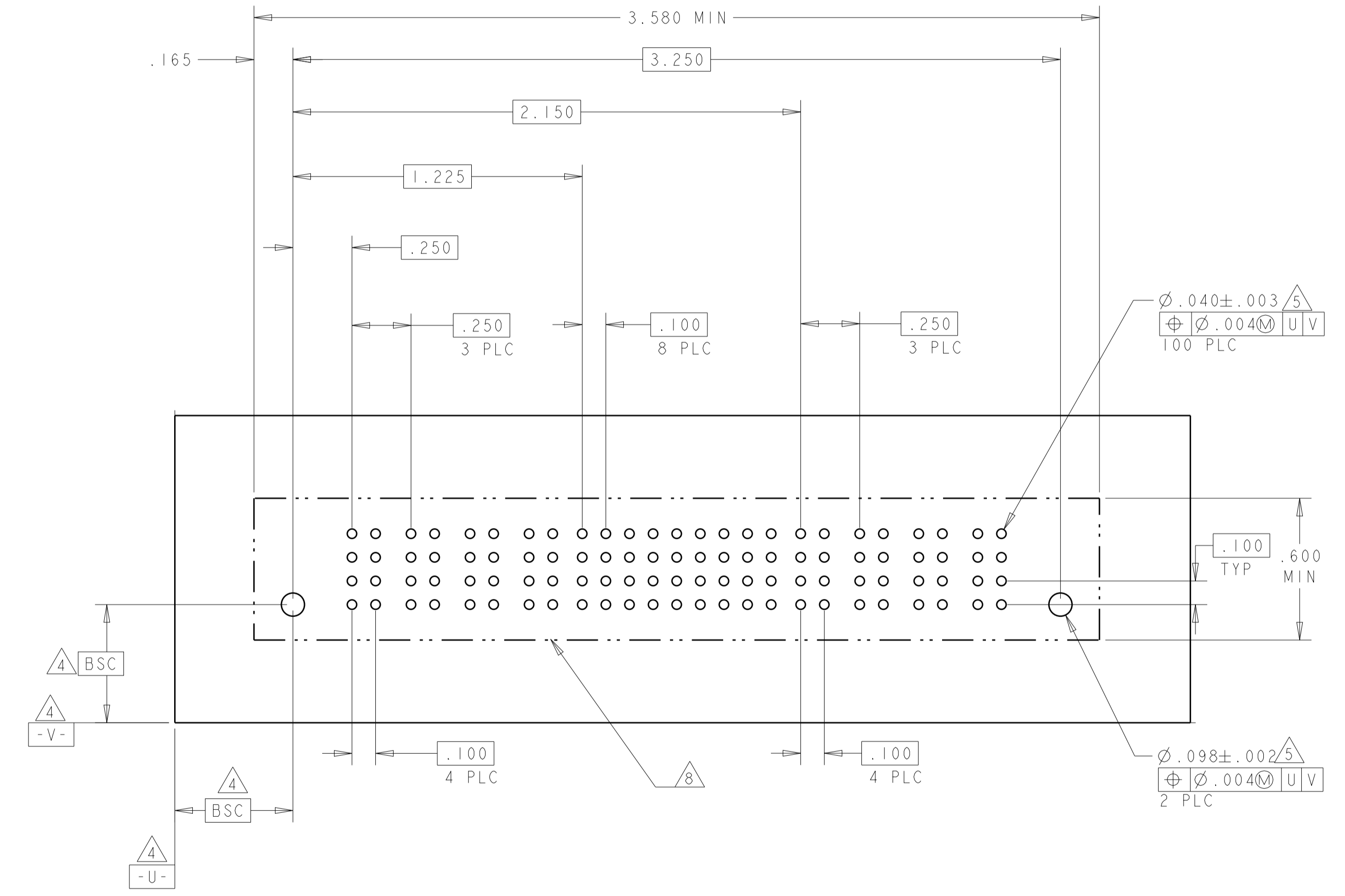
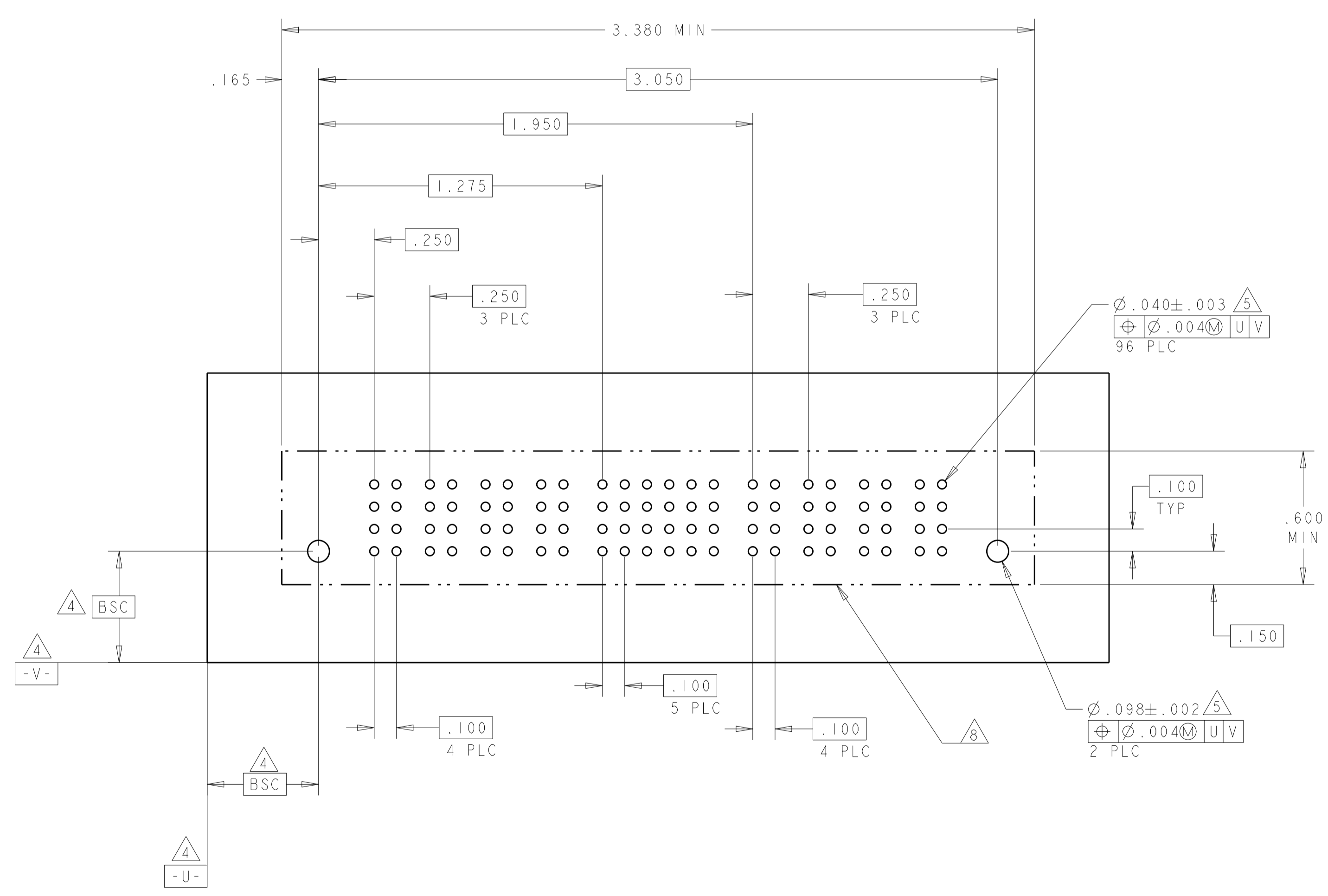


|  |  |  |                            |   |  |
|--|--|--|----------------------------|---|--|
| THIS DRAWING IS A CONTROLLED DOCUMENT. |  | DWN: J. McCLINTON 22MAR2005<br>CHK: D. TROUT 22MAR2005<br>APVD: B. WHYNE 22MAR2005                                     | <b>STE</b> TE Connectivity |   |  |
| DIMENSIONS: INCH<br>                   |  | TOLERANCES UNLESS OTHERWISE SPECIFIED:<br>0 PLC ±.<br>1 PLC ±.<br>2 PLC ±.<br>3 PLC ±.005<br>4 PLC ±.0020<br>ANGLES ±. |                            | NAME: VERTICAL HEADER ASSEMBLY W/ GUIDES AND SOLDER TAILS MULTI-BEAM XL<br>PRODUCT SPEC: 108-1973<br>APPLICATION SPEC: 114-13038<br>WEIGHT: -<br>RESTRICTED TO: - |  |
| MATERIAL: -                            |  | FINISH: -  |                            | SIZE: A1<br>CAGE CODE: 100779<br>DRAWING NO: C=6600330<br>SCALE: 4:1<br>SHEET: 7 OF 10<br>REV: J7   |  |
| CUSTOMER DRAWING                       |  |  |                            |   |  |

| LOC       | DIST | REV | DATE        | BY   | APPD |
|-----------|------|-----|-------------|------|------|
| ES        | 00   |     |             |      |      |
| REVISIONS |      |     | DESCRIPTION | DATE | BY   |
| -         |      |     | SEE SHEET 1 | -    | -    |

| PART NUMBER | ROWS | POWER |    |    |    | SIGNAL |    |    |    |    |    | POWER |    |    |    |
|-------------|------|-------|----|----|----|--------|----|----|----|----|----|-------|----|----|----|
|             |      | P1    | P2 | P3 | P4 | 1      | 2  | 3  | 4  | 5  | 6  | P5    | P6 | P7 | P8 |
| 1-6600330-9 | D    | SZ    | SZ | SZ | SZ | SS     | SS | SS | SS | SV | SS | SZ    | SZ | SZ | SZ |
|             | C    |       |    |    |    | SS     | SS | SS | SS | SV | SS |       |    |    |    |
|             | B    |       |    |    |    | SS     | SS | SS | SS | SV | SS |       |    |    |    |
|             | A    |       |    |    |    | SS     | SS | SV | SS | SV | SS |       |    |    |    |
| 4P+24S+4P   |      | HD    |    |    |    |        |    |    |    |    |    |       |    |    | HD |

| PART NUMBER | ROWS | POWER |    |    |    | SIGNAL |    |    |    |    |    |    |    |    | POWER |    |    |    |
|-------------|------|-------|----|----|----|--------|----|----|----|----|----|----|----|----|-------|----|----|----|
|             |      | P1    | P2 | P3 | P4 | 1      | 2  | 3  | 4  | 5  | 6  | 7  | 8  | 9  | P5    | P6 | P7 | P8 |
| 2-6600330-0 | D    | SZ    | SZ | SZ | SZ | SV     | SV | SV | SV | SV | SV | SV | SV | SV | SZ    | SZ | SZ | SZ |
|             | C    |       |    |    |    | SV     | SV | SV | SV | SV | SV | SV | SV | SV |       |    |    |    |
|             | B    |       |    |    |    | SV     | SV | SV | SV | SV | SV | SV | SV | SV |       |    |    |    |
|             | A    |       |    |    |    | SV     | SV | SV | SV | SV | SV | SV | SV | SV |       |    |    |    |
| 4P+36S+4P   |      | HD    |    |    |    |        |    |    |    |    |    |    |    |    |       |    |    | HD |



THIS DRAWING IS A CONTROLLED DOCUMENT.

|             |  |                  |              |           |
|-------------|--|------------------|--------------|-----------|
| DIMENSIONS: | TOLERANCES UNLESS OTHERWISE SPECIFIED: | OWN              | J. McCLINTON | 22MAR2005 |
| INCH        | 0 PLC ± .005                           | CHK              | D. TROUT     | 22MAR2005 |
|             | 1 PLC ± .005                           | APPD             | B. WHYNE     | 22MAR2005 |
|             | 2 PLC ± .005                           | PRODUCT SPEC     |              |           |
|             | 3 PLC ± .005                           | APPLICATION SPEC |              |           |
|             | 4 PLC ± .0020                          | SIZE             | 114-13038    |           |
|             | ANGLES ± .0020                         | WEIGHT           |              |           |
| MATERIAL    | FINISH                                 | CUSTOMER DRAWING |              |           |

NAME: VERTICAL HEADER ASSEMBLY W/ GUIDES AND SOLDER TAILS MULTI-BEAM XL  
 SIZE: A100779 C=6600330  
 SCALE: 4:1 SHEET 8 OF 10 REV J7

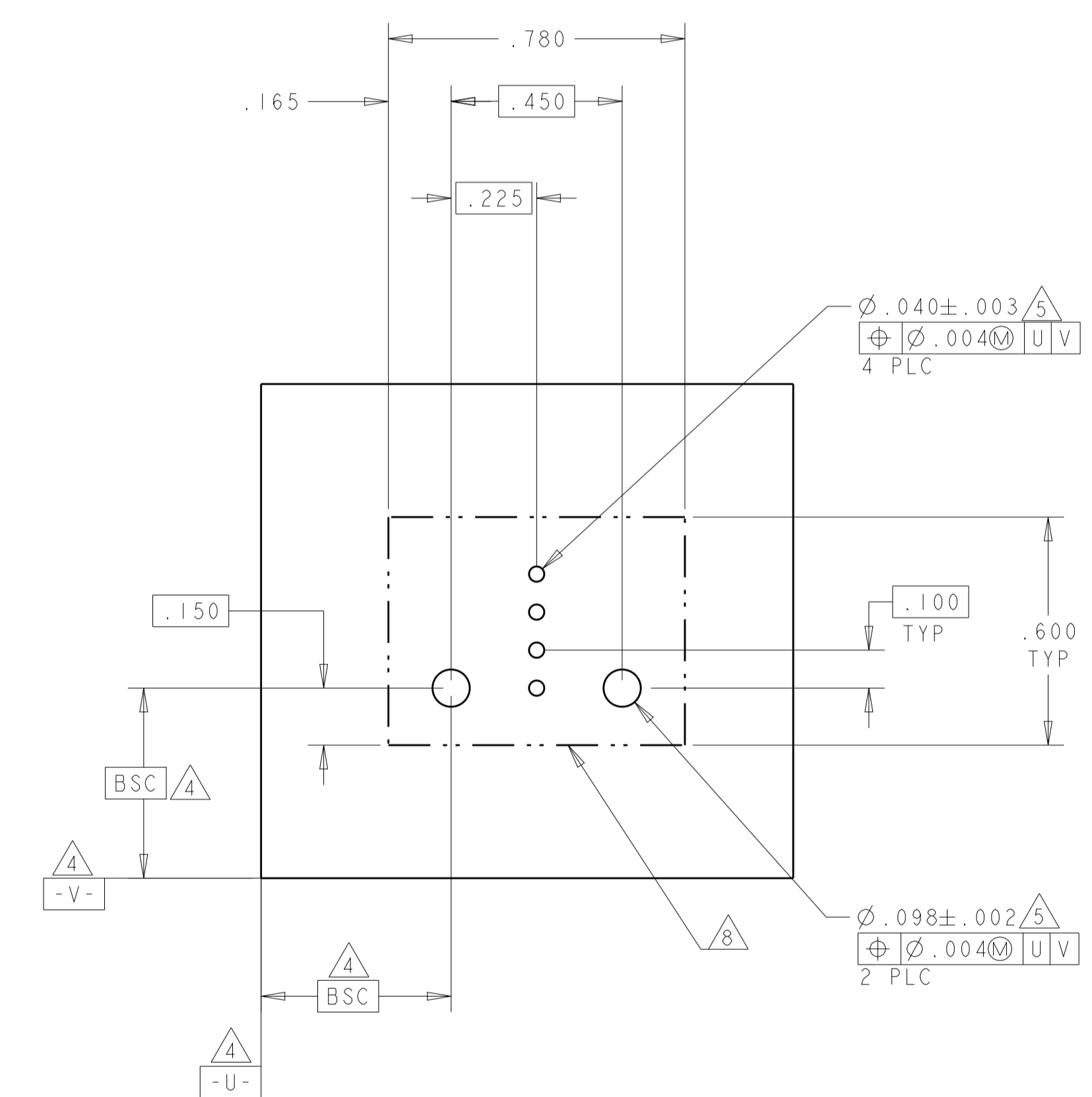
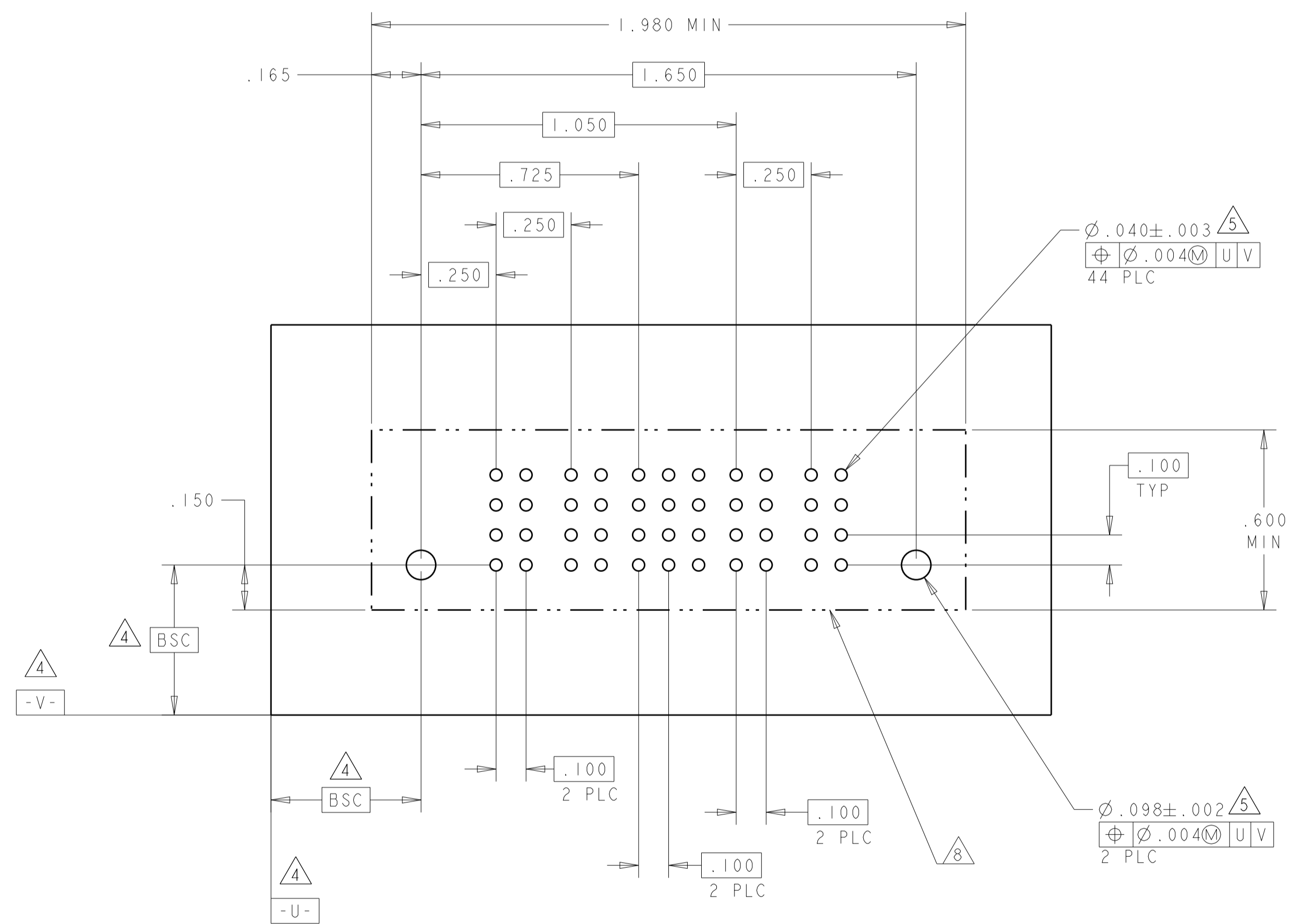


| LOC |     | DIST        |      | REVISIONS |      |  |  |
|-----|-----|-------------|------|-----------|------|--|--|
| P   | LTN | DESCRIPTION | DATE | DMN       | APVD |  |  |
| -   | -   | SEE SHEET 1 | -    | -         | -    |  |  |

| PART NUMBER   | ROWS | POWER |    | SIGNAL |    |    | POWER |    |
|---------------|------|-------|----|--------|----|----|-------|----|
|               |      | P1    | P2 | 1      | 2  | 3  | P3    | P4 |
| 2-6600330-1   | D    | SZ    | SZ | SV     | SV | SV | SZ    | SZ |
|               | C    |       |    | SV     | SV | SV |       |    |
|               | B    |       |    | SV     | SV | SV |       |    |
|               | A    |       |    | SV     | SV | SV |       |    |
| 2P + 12S + 2P |      | HD    |    |        |    |    | HD    |    |

| PART NUMBER | ROWS | SIGNAL |    |
|-------------|------|--------|----|
|             |      | 1      |    |
| 2-6600330-3 | D    | SV     |    |
|             | C    | SV     |    |
|             | B    | SV     |    |
|             | A    | SV     |    |
| 4S          |      | HD     | HD |

J3



THIS DRAWING IS A CONTROLLED DOCUMENT. DWN: J. McCLINTON 22MAR2005  
 CHK: D. TROUT 22MAR2005  
 APVD: B. WHYNE 22MAR2005

TE Connectivity

NAME: VERTICAL HEADER ASSEMBLY W/ GUIDES AND SOLDER TAILS MULTI-BEAM XL

PRODUCT SPEC: 108-1973  
 APPLICATION SPEC: 114-13038

SIZE: A1  
 CAGE CODE: 6600330  
 DRAWING NO: 100779

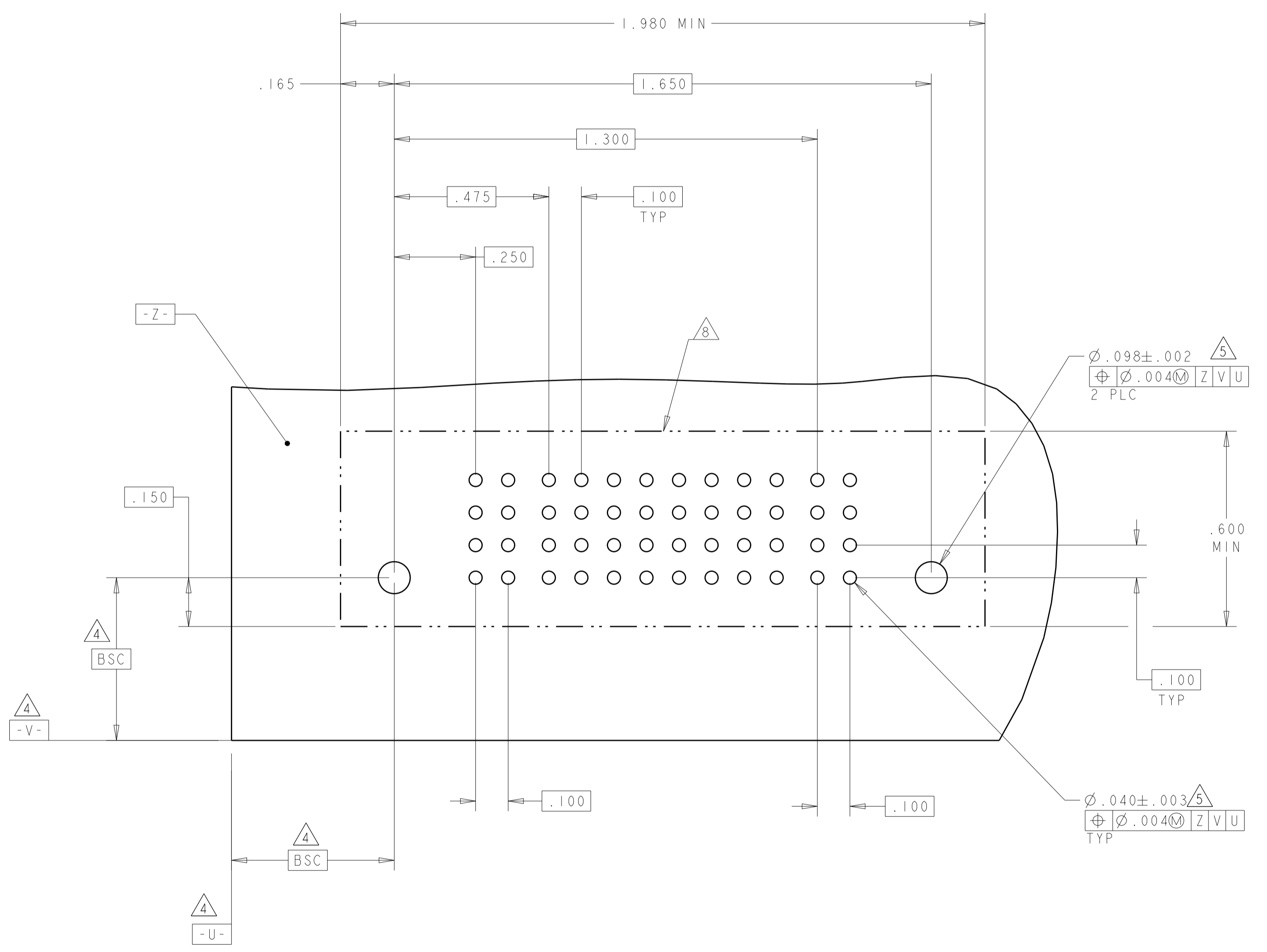
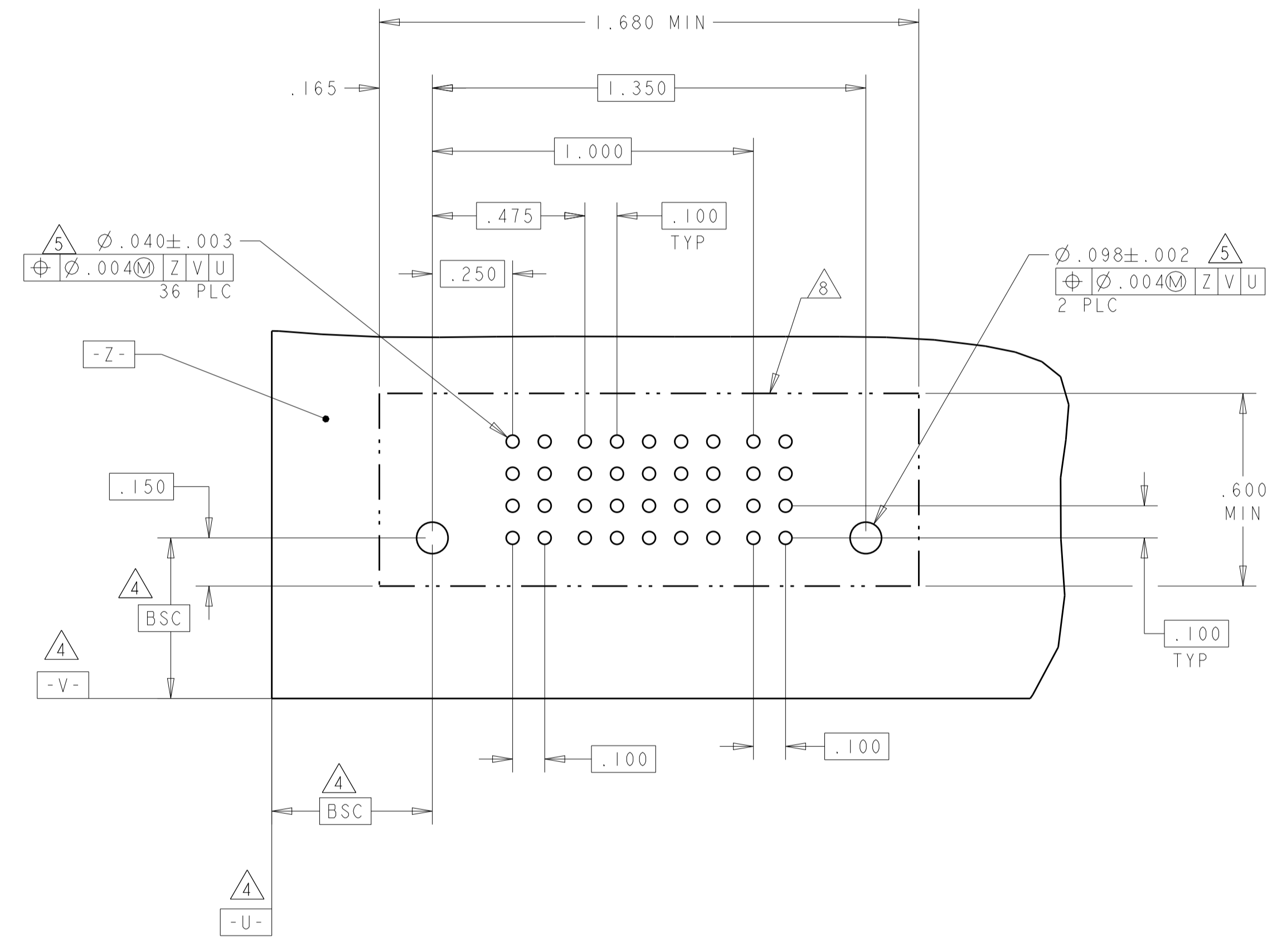
RESTRICTED TO: -  
 SCALE: 4:1  
 SHEET: 9 OF 10  
 REV: J7

CUSTOMER DRAWING

| LOC       | DIST | REV | DATE        | BY   | APPV |
|-----------|------|-----|-------------|------|------|
| ES        | 00   |     |             |      |      |
| REVISIONS |      |     | DESCRIPTION | DATE | BY   |
|           |      |     | SEE SHEET 1 |      |      |

| PART NUMBER | ROWS | POWER | SIGNAL |    |    |    |    | POWER |    |
|-------------|------|-------|--------|----|----|----|----|-------|----|
|             |      |       | PI     | 1  | 2  | 3  | 4  |       | 5  |
| 2-6600330-4 | D    | SZ    | SZ     | SV | SV | SV | SV | SV    | SZ |
|             | C    |       |        | SV | SV | SV | SV | SV    |    |
|             | B    |       |        | SV | SV | SV | SV | SV    |    |
|             | A    |       |        | SV | SV | SV | SV | SV    |    |
| IP+20S+IP   |      | HD    |        |    |    |    |    | HD    |    |

| PART NUMBER | ROWS | POWER | SIGNAL |    |    |    |    |    |    |    | POWER |    |    |
|-------------|------|-------|--------|----|----|----|----|----|----|----|-------|----|----|
|             |      |       | PI     | 1  | 2  | 3  | 4  | 5  | 6  | 7  |       | 8  | P2 |
| 2-6600330-5 | D    | SZ    | SZ     | SV | SV | SV | SV | SV | SV | SV | SV    | SV | SZ |
|             | C    |       |        | SV | SV | SV | SV | SV | SV | SV | SV    |    |    |
|             | B    |       |        | SV | SV | SV | SV | SV | SV | SV | SV    |    |    |
|             | A    |       |        | SV | SV | SV | SV | SV | SV | SV | SV    |    |    |
| IP+32S+IP   |      | HD    |        |    |    |    |    |    |    |    |       | HD |    |



THIS DRAWING IS A CONTROLLED DOCUMENT.

|             |  |                  |              |           |
|-------------|--|------------------|--------------|-----------|
| DIMENSIONS: | TOLERANCES UNLESS OTHERWISE SPECIFIED: | OWN              | J. McCLINTON | 22MAR2005 |
| INCH        | 0 PLC ± .005                           | CHK              | D. TROUT     | 22MAR2005 |
|             | 1 PLC ± .005                           | APPV             | B. WHYNE     | 22MAR2005 |
|             | 2 PLC ± .005                           | PRODUCT SPEC     |              |           |
|             | 3 PLC ± .005                           | APPLICATION SPEC |              |           |
|             | 4 PLC ± .0020                          | SIZE             | 114-13038    |           |
|             | ANGLES ± .0020                         | WEIGHT           |              |           |
| MATERIAL    | FINISH                                 | CUSTOMER DRAWING |              |           |

NAME: VERTICAL HEADER ASSEMBLY W/ GUIDES AND SOLDER TAILS MULTI-BEAM XL  
 SIZE: A1  
 CAGE CODE: 100779  
 DRAWING NO: 6600330  
 SCALE: 4:1  
 SHEET: 10 OF 10  
 REV: J7