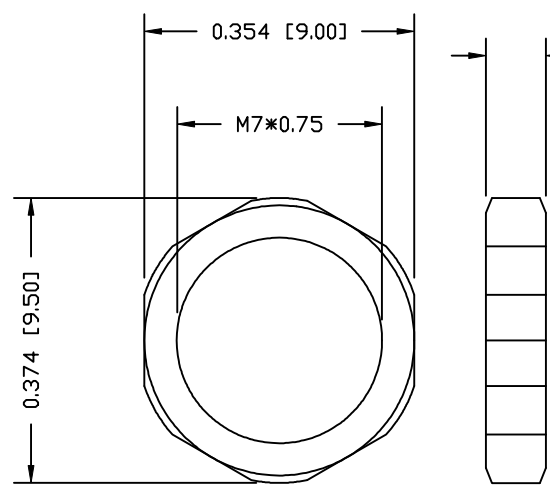


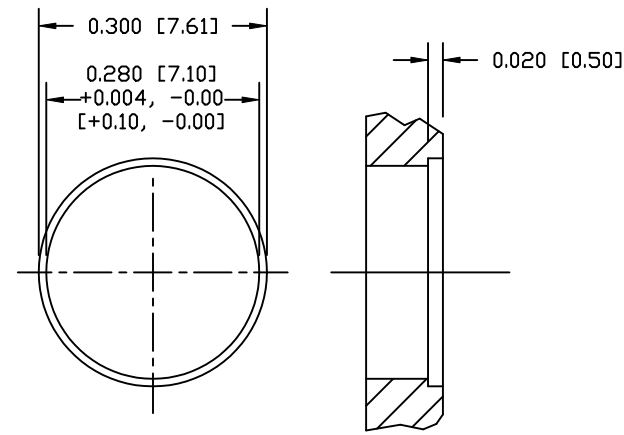
NOTE:

- MATERIAL
- HOUSING: PBT UL94V-0, BLACK
  - CONTACT: BRASS
  - NUT: BRASS
  - SHELL: BRASS
  - O-RING: NBR, BLACK
- FINISH
- CONTACT: GOLD PLATED
  - NUT: OVER 50µ NICKEL
  - SHELL: NICKEL PLATED
- ELECTRICAL
- RATED CURRENT: 1A
  - RATED VOLTAGE: 60V
  - INSULATION RESISTANCE: 100 MΩhms MIN.
  - CONTACT RESISTANCE: 10 MΩhms MAX.
  - WATER PROOF: IP67
- ENVIRONMENT
- OPERATION TEMPERATURE: -40°C TO +85°C
  - MAX ASSEMBLY TORQUE: 1.5 in lbs



NUT

NEED FOOTPRINT (SEE 4 POSITION)



RECOMMEND PANEL CUT-OUT  
MAX. PANEL THICKNESS: 0.125

852-003-213R00Y

- 1 = GOLD FLASH
- 4 = 10µ" GOLD

RoHS COMPLIANT

DO NOT SCALE FROM DRAWING



THESE DRAWINGS AND SPECIFICATIONS ARE THE PROPERTY OF NorComp AND SHALL NOT BE REPRODUCED, COPIED OR USED AS THE BASIS FOR THE MANUFACTURE OR SALE OF APPARATUS WITHOUT WRITTEN PERMISSION.

DRAWN: M. SIGMON	DATE: 03-03-16
CHECKED:	DATE:

NorComp

SCALE: NTS	SHEET 1	OF 1	REV 2
DWG NO. 852-003-213R00Y			