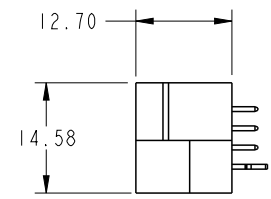
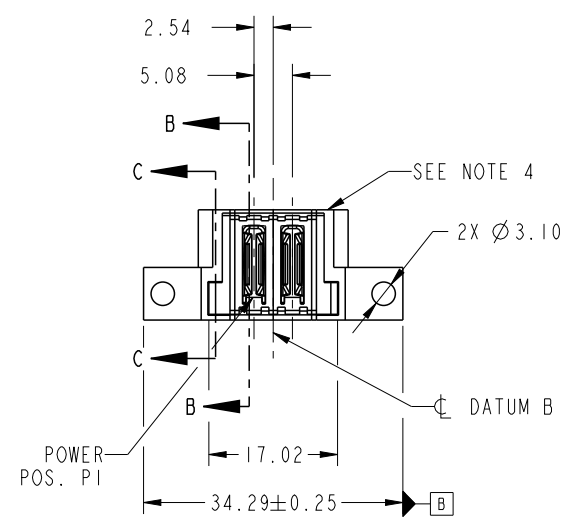
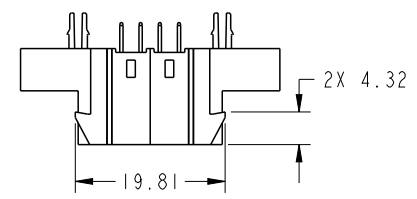
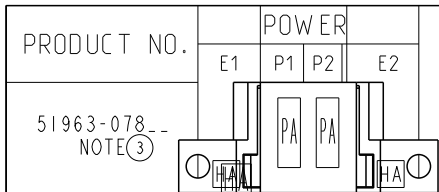




Copyright FCI.



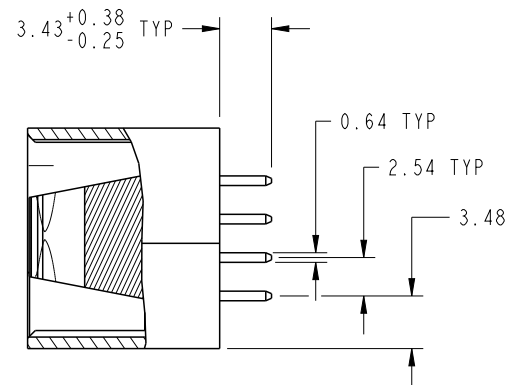
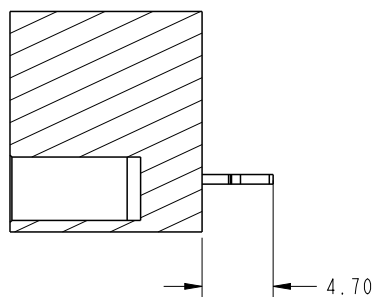
CODE	DIM "M" MATING LENGTH	CONTACT TYPE
PA	[N/A]	POWER
HA	[N/A]	HOLD-DOWN

spec ref	SEE NOTES			dr	X Q Wang	2012/05/14	projection 	MM ←→	size	A4	scale	1:1	
tolerance std	TOLERANCES UNLESS OTHERWISE SPECIFIED			eng	X Q Wang	2012/05/18			ecn no	-			
SEE NOTES				chr	-	-			rel level	Released			
surface	linear	0.X	±0.50	appr	Pei-Ming Zheng	2012/05/22	product family	PwrBlade		rev			
		0.XX	±0.25	 title 2DCP VERTICAL SOLDER HEADER www.fci.com			cat. no.	Product - Customer Drw		dwg no	51963-078	rev	A
	angular	0°	±2°				sheet 1 of 4						

PrdE File - REV C - 2009-06-09

PRODUCT NUMBER

51963-078__
NOTE 3



Copyright FCI.

dr	X Q Wang	2012/05/14	projection 	MM 	size	A4	scale	1:1
eng	X Q Wang	2012/05/18			ecn no	-		
chr	-	-			product family	PwrBlade	rel level	Released
appr	Pei-Ming Zheng	2012/05/22			title 2DCP VERTICAL SOLDER HEADER	dwg no 51963-078	rev A	
www.fci.com		cat. no.	Product - Customer Drw			sheet 2 of 4		

PRODUCT NUMBER

51963-078__
NOTE 3

NOTES:

1. DIMENSIONS AND TOLERANCES ARE IN ACCORDANCE WITH ASME Y14.5M, 1994 UNLESS OTHERWISE SPECIFIED.

CONNECTOR NOTES:

- ② HOUSING MATERIAL: UL 94 V-0 GLASS FILLED
HIGH-TEMP THERMOPLASTIC
POWER CONTACT MATERIAL: COPPER ALLOY
SIGNAL PIN MATERIAL: COPPER ALLOY
- 3. PLATING:
SEE ITEM 1 & 2 IN PRINT 10064183 FOR PLATING SPEC OF 51963-078; 51963-078LF PRESPECTIVELY
- ④ MANUFACTURER'S NAME, DATE CODE AND OPTIONAL P/N TO APPEAR ON THIS SURFACE.
THE P/N CAN BE OMITTED IF THERE IS NOT ENOUGH SPACE ON THIS SURFACE
- 5. PRODUCT SPECIFICATION GS-12-149.
APPLICATION SPECIFICATION BUS-20-067.
- 6. PACKAGED IN TRAYS.

PCB NOTES:

- 7. ALL HOLE DIAMETERS ARE FINISHED HOLE SIZE.
- 8. MOUNTING HOLES, WHERE APPLICABLE, ARE UNPLATED.

- ⑨ $\varnothing 1.151 \pm 0.025$ DRILLED HOLES PLATED WITH
0.008 MIN SnPb OR Sn OVER .001 [0.03]
TO 0.08 Cu PLATING TO ACHIEVE
 $\varnothing 1.02 \pm .07$ HOLE.

⑩ "DIM XXX" TO BE DETERMINED BY THE CUSTOMER.

⑪ CONNECTOR KEEP-OUT ZONE.

dr	X Q Wang	2012/05/14	projection 	MM 	size	A4	scale	1:1			
eng	X Q Wang	2012/05/18			ecn no	-					
chr	-	-			product family	PwrBlade	rel level	Released			
appr	Pei-Ming Zheng	2012/05/22			title	2DCP		dwg no	51963-078	rev	A
www.fci.com		cat. no.	Product - Customer Drw			sheet 4 of 4					