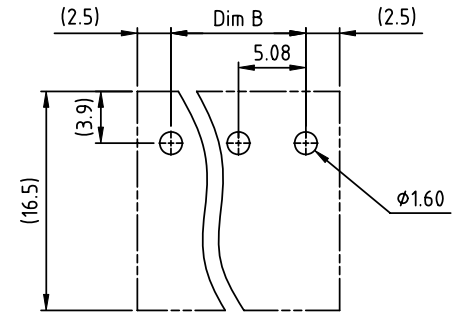
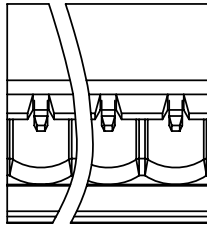
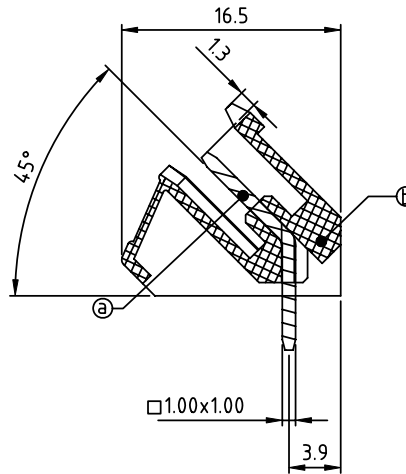
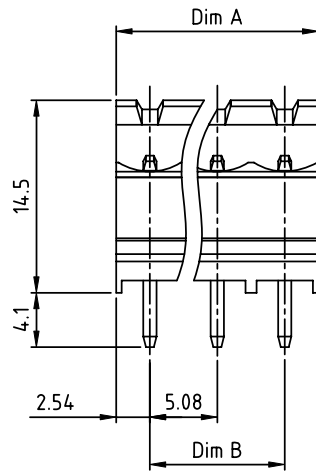


PRODUCT NUMBER	PITCH
VKxx50x000J0G	5.08 mm



RECOMMENDED P.C.B LAYOUT
TOP VIEW



Material:

- Item (a) Male contact pin: Copper Tin plated
- Item (b) Terminal (housing): Thermoplastic (UL94V-0)

Electrical:

- Voltage rating: cULus /VDE/TUV 300V/300V/300V
- Current rating: 15A/17A/20A
- Withstanding Voltage: 1.6 KV/2.5KV/2.5KV
- Operating temperature: -40°C to +115°C
- Soldering temperature: 260°C±5°C/5 Sec
- Safety Approval:

PART NO.: VK xx 50 x 0 00J0 G

N = Number of poles
Dim A=Nx5.08
Dim B=(N-1)x5.08

Poles	Dim A	Dim B
2-6p	±0.15	±0.10
7-12p	±0.20	±0.20
13-18p	±0.30	±0.25
19-24p	±0.40	±0.30

Solid block	No. of poles	Color	RoHS compliant
0	2	Black (RAL9005)	(lead<4%) In copper Alloy
02	2 poles	Red (RAL3001/D)	
03	3 poles	Orange(RAL2011/P)	
...	...	4 Yellow(RAL1018/A)	
...	...	5 Green(RAL6018/T)	
24	24 poles	6 Blue (RAL5015/A)	
		8 Grey(RAL7035/D)	
		9 White(RAL1102)	
		C Green(RAL6018/U)	

mat'l. code		surface ASME Y14.5	tolerance ASME Y14.5	projection	product family TERMINAL BLOCK
ltr	ecn no	dr	date		title TERMINAL BLOCK
				tolerances unless otherwise specified	PLUGGABLE SOCKET, OPEN, 45DEGREE, WITHOUT FLANGE
				angles	scale
				$X \pm 0.5$	MM
				$X.X \pm 0.3$	dwg no VKxx50x000J0G
				$X \pm 1^*$	sheet 1 of 1 size A4
				dr	type CUSTOMER Drawing
				enr	
				chr	
				appd	
sheet index		revision	A		
		sheet	1		