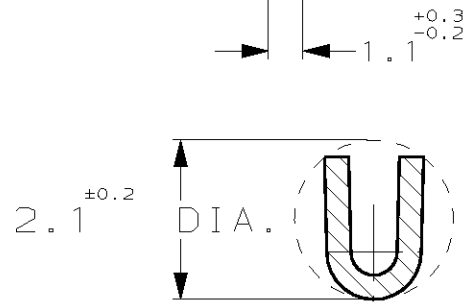
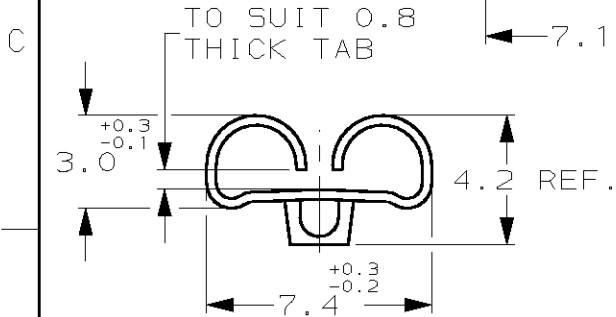
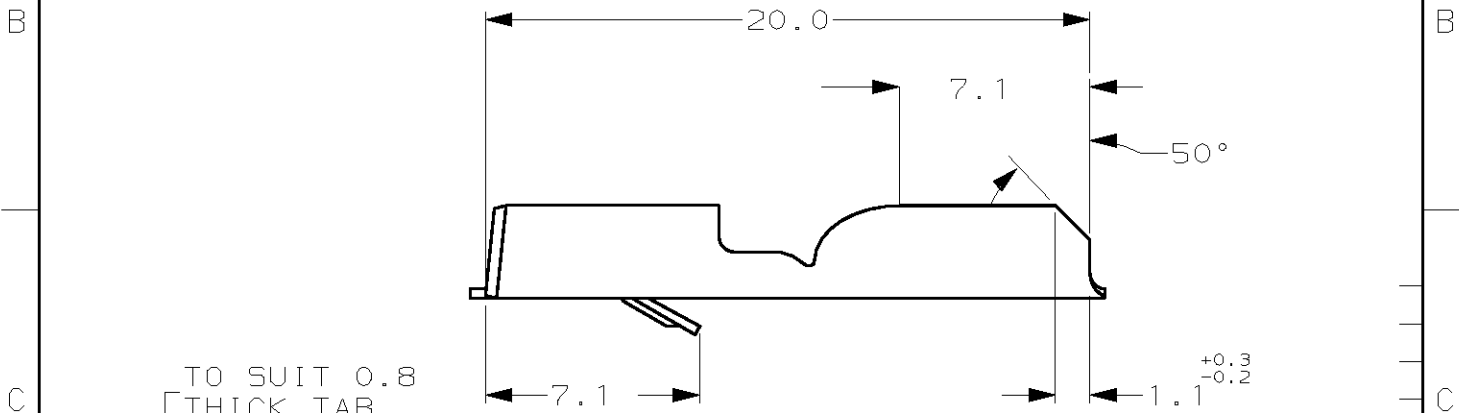
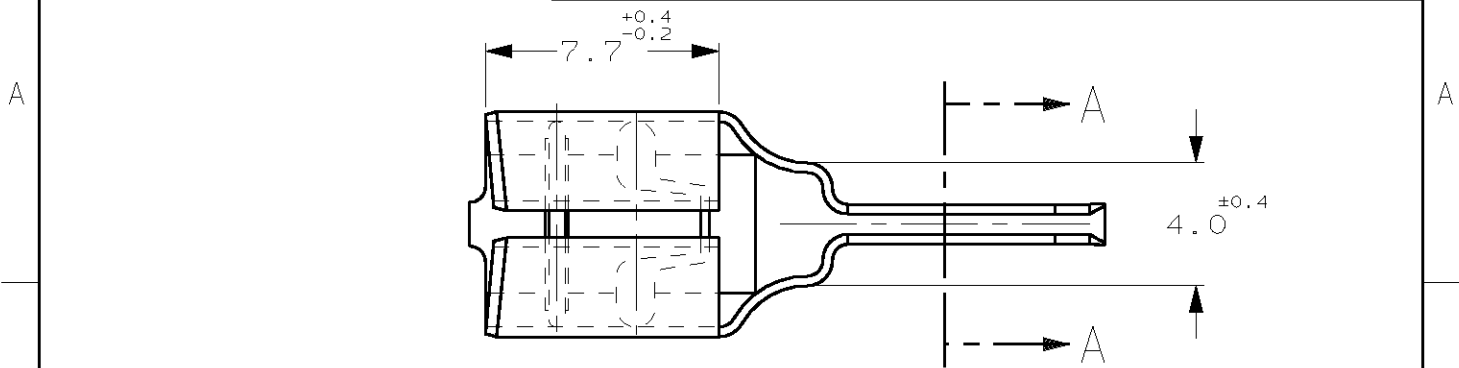


SCALA NON IMPEGNATIVA
(DO NOT SCALE)
DIMENSIONI IN mm
(DIMENSIONS IN)

METRIC

PROIEZIONE EUROPEA
(EUROPEAN PROJECTION)



SECTION A-A
(SCALE 10:1)

160950-4	ARGENTATO (SILVERPLATED)	OTTONE (BRASS)	153259-4	P
160950-3	STAGNO SENZA PIOMBO (LEAD FREE TIN)	OTTONE (BRASS)	153259-3	P
160950-1	NUDO (UNPLATED)	OTTONE (BRASS)	153259-1	P
VERSIONE A NASTRO (STRIP VERSION)	FINITURA / COLORE (FINISH / COLOUR)	MATERIALE (MATERIAL)	NUMERO (PART NUMBER)	REV

**CUSTOMER DWG.
FOR REFERENCE ONLY**

**DISEGNO PER CLIENTE
SOLO PER RIFERIMENTO**

THIS DRAWING IS UNPUBLISHED RELEASE FOR PUBLICATION 19

© COPYRIGHT 19 BY AMP INCORPORATED, HARRISBURG, PA. ALL INTERNATIONAL RIGHT RESERVED. AMP PRODUCTS MAY BE COVERED BY U.S. AND FOREIGN PATENT AND/OR PATENT PENDING

TOLLERANZE: SE NON DIVERSAMENTE SPECIFICATO (TOLERANCES, UNLESS OTHERWISE SPECIFIED)	DIAM. ISOLANTE (INS. DIA. RANGE)	RANGO FILO (WIRE RANGE)	SCALA (SCALE)
± 0.3	-	-	4:1

ANGOLI (ANGLES) ± 2°

AMP **AMP ITALIA S.p.A.**
Conso F.lli Cervi, 15
COLLEGNO (TORINO)

DIS. H. YAALI (DR.) 16 MAY 2003

DESCRIZIONE (DESCRIPTION) **FASTIN-FASTON® Connector**
6.3 mm sr. RECEPTACLE CONTACT FOR PCB (LOOSE PIECE)

CONT. C. TARTARI (CHK) -

LOC. SIZE NUMERO (DWG NO) REV. FOGLIO (SHEET)

I A4 C-153259 P 1 DI (OF) 1

DISTRIBUZIONE (PRINT DIST.)	P	REDRAWN & REVISED ET00-0075-03	HY	23 MAY 2003
	REV. (REV.LTR.)	REVISIONI (REVISION RECORD)	DIS. (DR)	DATA (DATE)