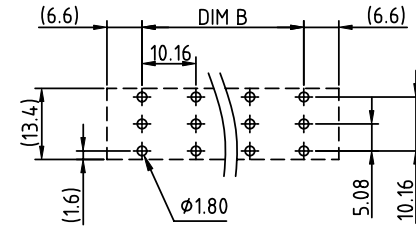
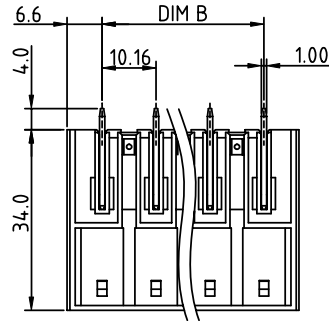
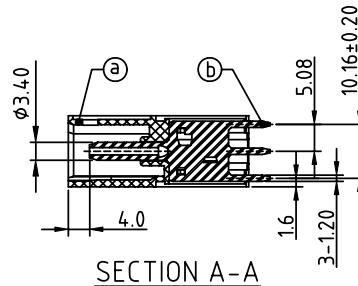
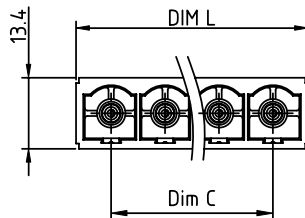


PRODUCT NUMBER	PITCH
EWxx61x000J0G	10.16 mm



RECOMMENDED P.C.B LAYOUT
TOP VIEW



SECTION A-A

Material:

- Item Ⓐ Terminal(housing):Thermoplastic(UL 94 - V0)
- Item Ⓑ Male contact pin: Copper Gold plated

Electrical: cULus

- Voltage rating: 300V
- Current rating: 55A
- Withstanding Voltage: 1.6 KV
- Operating temperature: -40°C to +115°C
- Soldering temperature: 260°C±5°C/5 Sec
- Safety Approval:

Dimension

Dim L	$N \times 10.16 + 3.04$
Dim B	$(N-1) \times 10.16$
Dim C	$(N-1) \times 10.16$

N=Number of poles

POLES	Tolerance
2p-5p	±0.25
6p-8p	±0.35
9p-12p	±0.45

PART NO.: EW xx 61 x 0 00J0 G

Solid block	0	Color	Black (RAL9005)	RoHS compliant	(lead<4%)
No. of poles	2	Color	Red (RAL3001/D)	In copper Alloy	
02	2 poles	3	Orange(RAL2011/P)		
03	3 poles	4	Yellow(RAL1018/A)		
...	...	5	Green(RAL6018/T)		
12	12 poles	6	Blue (RAL5015/A)		
		8	Grey(RAL7035/D)		
		9	White(RAL1102)		
		C	Green(RAL6018/U)		

mat'l. code		surface ASME Y14.5	tolerance ASME Y14.5	projection 	product family TERMINAL BLOCK
ltr	ecn no	dr	date	tolerances unless otherwise specified	title TERMINAL BLOCK
				angles $X \pm 0.5$	PLUGGABLE SOCKET,CLOSE VERTICAL
				$X.X \pm 0.3$	scale MM
				$X^* \pm 1^*$	$X.XX \pm 0.1$
		dr	EVIN ZHONG	042314	dwg no EWxx61x000J0G
		enrg	EVIN ZHONG	042314	sheet 1 of 1
		chr	HANKE FENG	042314	size A4
		appd	SHI JUN	042314	type CUSTOMER Drawing
sheet index	revision	A			
	sheet	1			