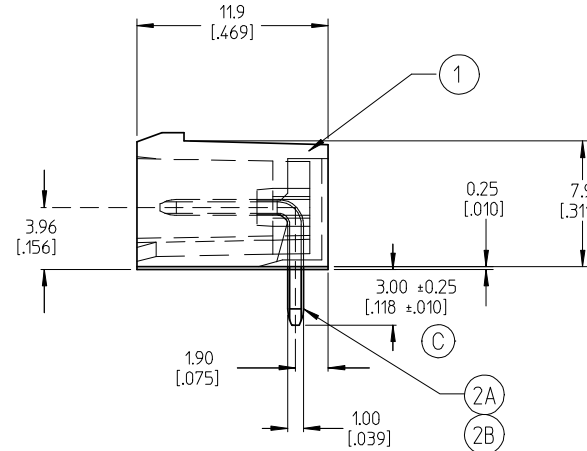
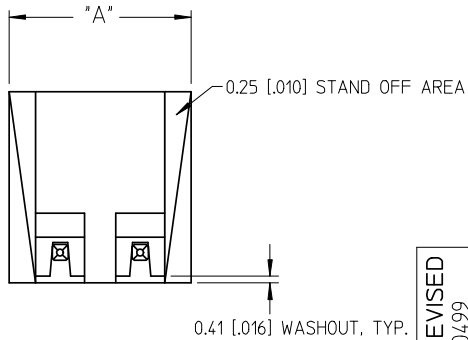
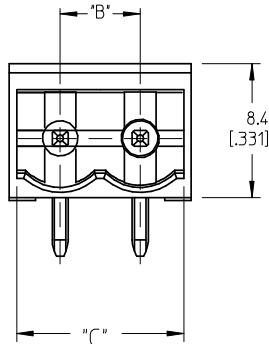


RECOMMENDED PLATED THRU HOLE PATTERN  
SCALE 2:1



- NOTES  
 1. .0055 INCH/INCH ALLOWABLE BOW  
 2. SEE SHEET 2 OF 2 FOR IMPRINTING OPTIONS.  
 3. ALL COMPONENTS ARE ROHS COMPLIANT.

2B	*XX*	HEADER PIN	BRASS	GOLD
2A	*XX*	HEADER PIN	BRASS	TIN
1	1	SR BTS	THERMOPLASTIC	BLACK
ITEM	QTY	DESCRIPTION	MATERIAL	FINISH

REDRAWN & REVISED  
 EC NO: ETC2006-0499  
 DRAWN:EHILE 2006/06/27  
 CHKD:RDEROSS 2006/06/28  
 APPR:RDEROSS 2006/07/03

QUALITY SYMBOLS  
 ▽=0  
 ▽=0

GENERAL TOLERANCES (UNLESS SPECIFIED)

	mm	INCH
4 PLACES	± ---	± .0015
3 PLACES	± 0.038	± .005
2 PLACES	± 0.13	± .01
1 PLACE	± 0.3	± ---

ANGULAR ± 2 °

DRAFT WHERE APPLICABLE  
 MUST REMAIN  
 WITHIN DIMENSIONS

DIMENSION STYLE  
 MM/IN

DRAWN BY R. KEMP DATE 2002/01/08  
 CHECKED BY P. WALTZ DATE 2002/01/09  
 APPROVED BY L. ROTHHAUS DATE 2002/01/09

MATERIAL NO. SEE CHART

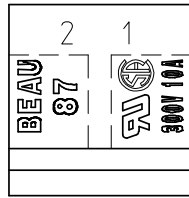
SIZE B THIS DRAWING CONTAINS INFORMATION THAT IS PROPRIETARY TO MOLEX INCORPORATED AND SHOULD NOT BE USED WITHOUT WRITTEN PERMISSION

SCALE 3:1 DESIGN UNITS INCH THIRD ANGLE PROJECTION

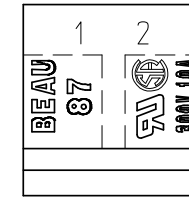
TITLE  
 HEADER, RA, CLOSED END,  
 ASSY, .197 CENTER W/.010  
 STAND-OFF, HIGH TEMP

MOLEX MOLEX INCORPORATED

DOCUMENT NO. SD-39870-009 SHEET NO. 1 OF 2



IMPRINTING STYLE 11A



IMPRINTING STYLE 10A

# OF CIRCUITS	mm DIM. *A* INCH	mm DIM. *B* INCH	mm DIM. *C* INCH	MATERIAL #, W/ TIN PIN	MATERIAL #, W/GOLD PIN	MATERIAL #, -10A	MATERIAL #, -11A
02	11.56	.455	5.00	39870-1402	39871-1402	39872-1402	39873-1402
03	16.56	.652	10.00	39870-1403	39871-1403	39872-1403	39873-1403
04	21.56	.849	15.00	39870-1404	39871-1404	39872-1404	39873-1404
05	26.56	1.046	20.00	39870-1405	39871-1405	39872-1405	39873-1405
06	31.56	1.243	25.00	39870-1406	39871-1406	39872-1406	39873-1406
07	36.56	1.440	30.00	39870-1407	39871-1407	39872-1407	39873-1407
08	41.56	1.637	35.00	39870-1408	39871-1408	39872-1408	39873-1408
09	46.56	1.834	40.00	39870-1409	39871-1409	39872-1409	39873-1409
10	51.56	2.031	45.00	39870-1410	39871-1410	39872-1410	39873-1410
11	56.56	2.228	50.00	39870-1411	39871-1411	39872-1411	39873-1411
12	61.56	2.425	55.00	39870-1412	39871-1412	39872-1412	39873-1412
13	66.56	2.622	60.00	39870-1413	39871-1413	39872-1413	39873-1413
14	71.56	2.819	65.00	39870-1414	39871-1414	39872-1414	39873-1414
15	76.56	3.016	70.00	39870-1415	39871-1415	39872-1415	39873-1415
16	81.56	3.213	75.00	39870-1416	39871-1416	39872-1416	39873-1416

REDRAWN & REVISED EIC NO: ETC2006-0499 DRW:EHILE 2006/06/27 CHK:RDEROSS 2006/06/28 APPR:RDEROSS 2006/07/03	QUALITY SYMBOLS	GENERAL TOLERANCES (UNLESS SPECIFIED)	DIMENSION STYLE	SCALE	DESIGN UNITS	THIRD ANGLE PROJECTION
	▼=0 ▽=0	mm INCH	MM/IN	3:1	INCH	
		4 PLACES ± --- ±.0015	DRAWN BY DATE	TITLE		
		3 PLACES ±0.038 ±.005	R. KEMP 2002/01/08	HEADER, RA, CLOSED END, ASSY, .197 CENTER W/.010 STAND-OFF, HIGH TEMP		
		2 PLACES ±0.13 ±.01	CHECKED BY DATE	MOLEX INCORPORATED		
	1 PLACE ±0.3 ±---	P. WALTZ 2002/01/09	DOCUMENT NO. SHEET NO.			
	ANGULAR ± 2 °	APPROVED BY DATE	SD-39870-009 2 OF 2			
		L. ROTHHAUS 2002/01/09	THIS DRAWING CONTAINS INFORMATION THAT IS PROPRIETARY TO MOLEX INCORPORATED AND SHOULD NOT BE USED WITHOUT WRITTEN PERMISSION			
		MATERIAL NO.				
		SEE CHART				
		SIZE B				