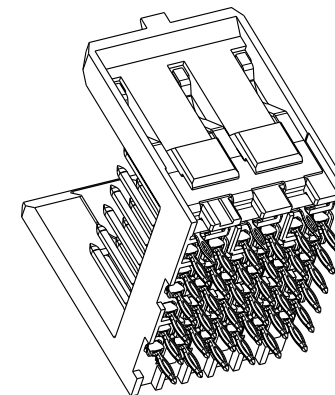
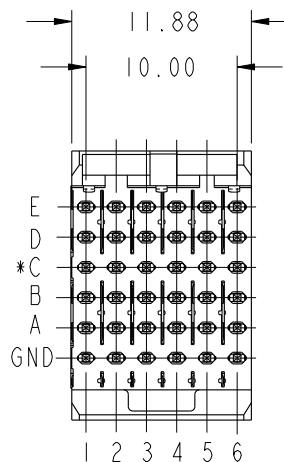
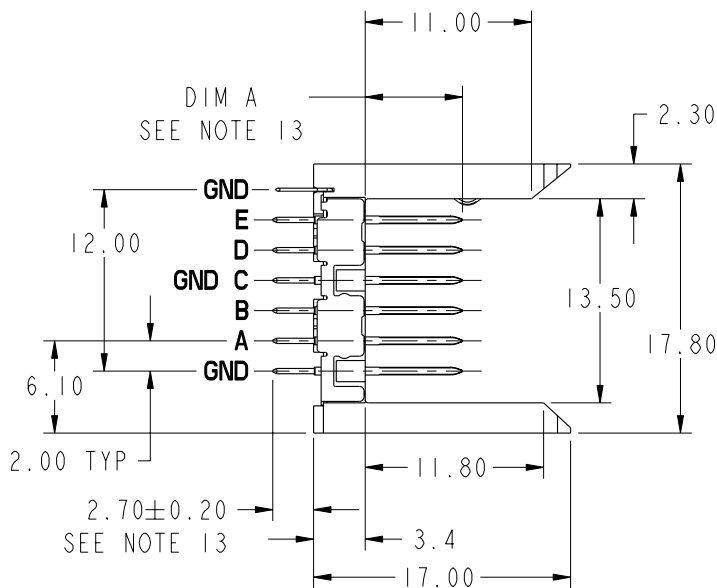
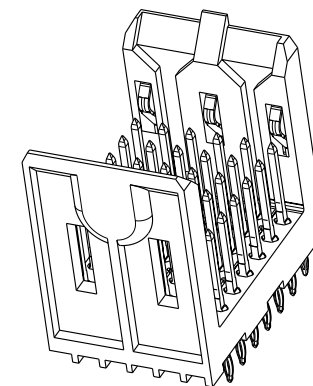
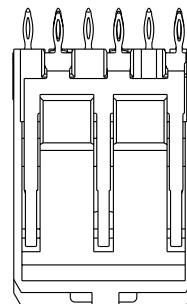


PRODUCT NUMBER	PLATING PERFORMANCE LEVEL	APPLICATION
59566-1YYY	TELCORDIA CO	STANDARD
59566-5YYY	TELCORDIA UE	
59566-1YYYYLF	TELCORDIA CO	LEAD FREE
59566-5YYYYLF	TELCORDIA UE	



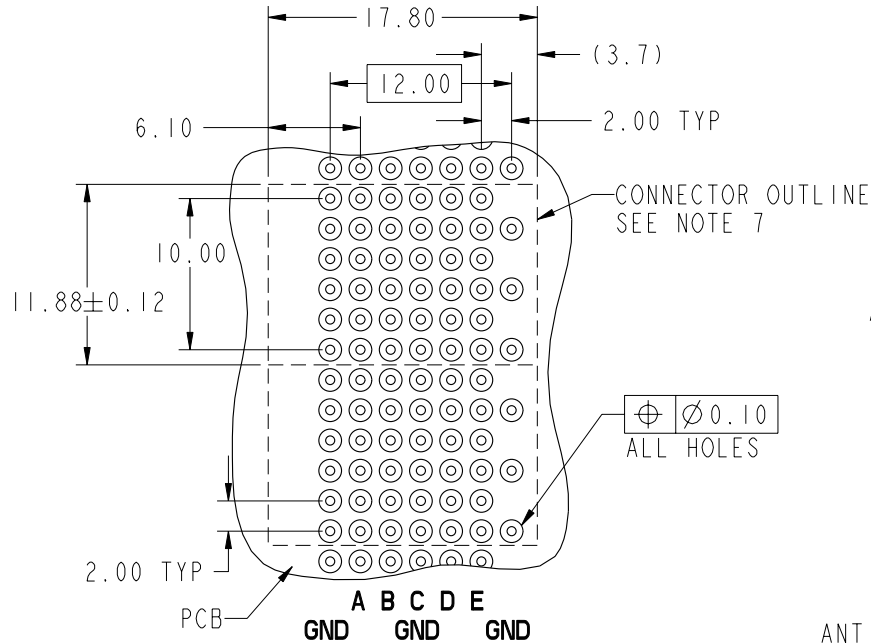
This document is the property of and embodies CONFIDENTIAL and PROPRIETARY information of FCI. No part of the information shown on this document may be used in any way or disclosed to others without the written consent of FCI. Copyright FCI.

**\* ROW C INFORMATION**

ODD NUMBER COLUMNS WITHIN ROW C ARE COMMONED TO GROUND INTERNALLY WITHIN THE HOUSING. THE EVEN NUMBER COLUMNS WITHIN ROW C ARE NOT. FOR MAXIMUM PERFORMANCE IT IS RECOMMENDED THESE EVEN COLUMNS BE COMMONED TO GROUND WITHIN THE PCB, SEE NOTE 12

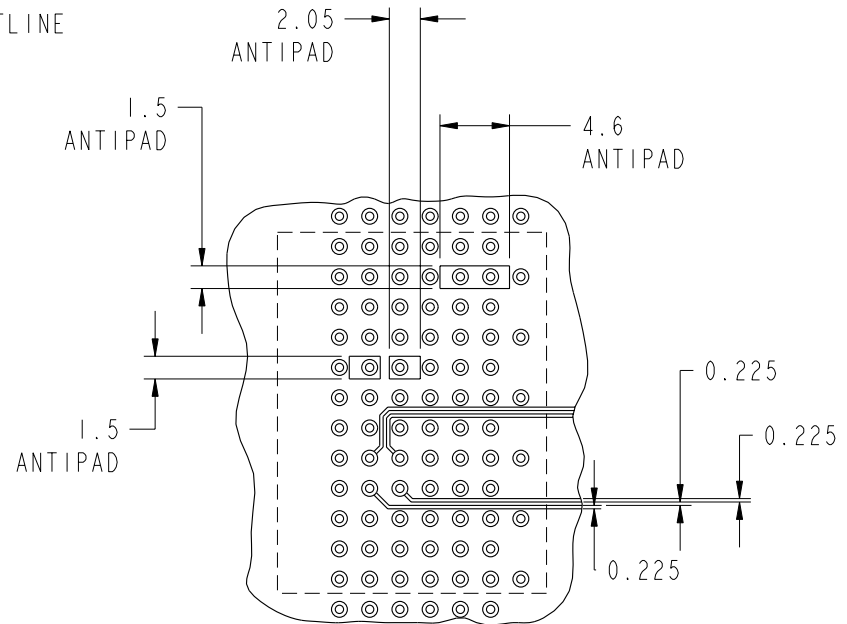
mat'l code SEE TABLE				tolerances unless otherwise specified		CUSTOMER	FCI www.fciconnect.com	
ltr	ecn no.	dr	date	linear	0.X ±0.3	COPY	projection	title VERTICAL SIGNAL HDR 5 ROW P.F. 30 POS. SELECT LOAD STD.
H	V06-0061	DCH	2006-07-07		0.XX ±0.13	MM		
J	V06-0868	DCH	2006-08-29		.XXX ±.051			
K	V07-0174	DCH	2007-04-13	angles	0° ±2°	scale 1:1	product family METRAL 4000	code 213
L	V07-0556	DCH	2007-08-22	dr	C. DAILY 2002-01-15			
M	V07-0696	HTB	2007-11-28	engr	J. VOLSTROF 2001-10-31	cage code 22526	4	
-	-	-	-	chr	J. VOLSTROF 2002-01-15			
G	V06-0498	DCH	2006-05-23	appd	J. VOLSTROF 2002-01-15			
sheet index	revision sheet	M 1	M 2	M 3	M 4			

PRODUCT NUMBER  
SEE SHEET 1



**RECOMMENDED PCB HOLE PATTERN**  
(COMPONENT SIDE)  
(SEE NOTE 11)

PRESS-FIT HOLES	OPTION 1	OPTION 2
HOLE DIAMETER AFTER PLATING	0.45-0.55	0.48-0.57
DRILLED HOLE	0.60±0.02	0.60±0.02
COPPER PLATING	0.025 MIN-0.050 MAX.	0.025 MIN-0.050 MAX.
SnPb PLATING	0.005-0.015	---



**RECOMMENDED TRACK AND ANTIPAD DIMENSIONS** SCALE 2:1

mat'l code		SEE TABLE		tolerances unless otherwise specified		CUSTOMER		FCj www.fciconnect.com	
ltr	ecr no.	dr	date	linear	0.X ± 0.3	COPY		title	
M				linear	0.XX ± 0.13	projection		VERTICAL SIGNAL HDR 5 ROW	
				angles	.XXX ± .051			P.F. 30 POS. SELECT LOAD STD.	
				dr	0° ± 2°	MM		product family METRAL 4000 code	
				enr	C. DAILY 2002-01-15			size	
				chr	J. VOLSTROF 2001-10-31	2:1		dwg no	
				appd	J. VOLSTROF 2002-01-15	A		59566	
					J. VOLSTROF 2002-01-15			sheet	
sheet index	revision sheet							2	

This document is the property of and embodies CONFIDENTIAL and PROPRIETARY information of FCj. No part of the information shown on this document may be used in any way or disclosed to others without the written consent of FCj. Copyright FCj.

PRODUCT NUMBER  
SEE SHEET 1

NOTES:

- 1. SEE APPLICATION SPECIFICATION GS-20-014 FOR INFORMATION ON AVAILABLE TOOLING, CIRCUIT BOARD DESIGN CONSIDERATIONS, REPAIR PROCEDURES AND PRODUCT OFFERINGS.  
SEE PRODUCT SPECIFICATION GS-12-184.
- 2. UNLESS OTHERWISE SPECIFIED, ALL DIMENSIONS AND TOLERANCES ARE IN ACCORDANCE WITH ASME Y14.5, 1994
- 3. HOUSING MATERIAL: LIQUID CRYSTAL POLYMER, 30% GLASS FILLED, FLAME RETARDANT PER UL 94-V0.  
PIN MATERIAL: PHOSPHOR BRONZE  
GROUND SPRING MATERIAL: PHOSPHOR BRONZE  
STRIPLINE SHIELD MATERIAL: PHOSPHOR BRONZE
- 4. PLATING INFORMATION: PLATING ON CONTACT AREA MEETS PERFORMANCE LEVELS SHOWN IN TABLE ON SHEET 1. PLATING ON "LF" TAILS IS Sn ONLY. ALL OTHERS ARE TIN-LEAD.
- 5. DIMENSIONAL RESTRICTIONS OF PINS IN HEADERS.  
FOR USE WITH METRAL 4000 RECEPTACLES.  
DIM A : 5.00mm MIN, 6.50mm MAX FOR ROWS A,B,D,E  
DIM A : 5.00mm MIN, 8.00mm MAX FOR ROWS C  
DIM A : 5.00mm MIN, 5.75mm MAX FOR ROWS GND  
FOR USE WITH METRAL 1000 RECEPTACLES/  
DIM A : 5.00mm MIN, 8.00mm MAX FOR ROWS A,B,C,D,E  
DIM A : 5.00mm MIN, 5.75mm MAX FOR ROW GND
- 6. THE MIN PCB THICKNESS FOR FRONT PLUG-UP APPLICATIONS IS 1.6mm.
- 7. THE 'CONNECTOR OUTLINE' IS THE MIN OUTLINE REQUIRED. TO DETERMINE THE OUTLINE NECESSARY TO PERMIT THE VARIOUS TYPES OF REPAIR OPERATIONS, SEE APPLICATION SPECIFICATION GS-20-010.

- 11. AVOID TRACES ON TOP OF BOARD DUE TO EXPOSED GROUND SHIELD.
- 12. FOR FRONT PLUG-UP APPLICATIONS, THE EVEN NUMBERED PINS IN ROW "C" CAN BE USED FOR POWER AS WELL AS GROUND. IF THE SURROUNDING PINS ARE NOT USED FOR POWER, THEN EACH PIN CAN CARRY 3 AMPS. IF THE SURROUNDING PINS ARE USED FOR POWER, THEN EACH PIN CAN CARRY 1 AMP. WHEN THE SURROUNDING PINS ARE USED ONLY FOR LOW SPEED SIGNALS, THEN THE EVEN NUMBERED "C" ROW PINS CAN ALSO BE USED FOR LOW SPEED SIGNALS.
- 13. AFTER INSERTION INTO CIRCUIT BOARD WITH QUALIFIED TOOL.
- 14. THE PRODUCTS WHERE THE PART NUMBER ENDS IN LF MEET THE EUROPEAN DIRECTIVES AND OTHER COUNTRY REGULATIONS AS DESCRIBED IN GS-22-008.

ALL PRODUCTS WILL WITHSTAND EXPOSURE TO 260°C FOR 60 SECONDS IN A CONVECTION, INFRA-RED OR VAPOR PHASE REFLOW OVEN.

- 15. FOR LEAD FREE PART NUMBERS, ADD AN "LF" SUFFIX. EXAMPLE: 59566-X001LF
- 16. EQUIVALENT PRECIOUS METAL PLATINGS MAY BE SUBSTITUTED.

- 8. CURRENT RATING : 1 AMP PER PIN
- 9. TEMPERATURE RANGE : -55°C TO +105°C
- 10. P/N 59566-XXXXLF



mat'l code SEE TABLE				tolerances unless otherwise specified		CUSTOMER	FCj www.fciconnect.com		
ltr	ecn no.	dr	date	linear	0.X ±0.3	COPY	title VERTICAL SIGNAL HDR 5 ROW P.F. 30 POS. SELECT LOAD STD.		
M				angles	0.XX ±0.13	projection	product family METRAL 4000 code 213		
				dr	.XXX ±.051	MM	size	dwg no	sheet
				enr	0° ±2°	scale	A	59566	3
				chr		1:1			
				appd					
sheet index	revision sheet								

This document is the property of and embodies CONFIDENTIAL and PROPRIETARY information of FCj. No part of the information shown on this document may be used in any way or disclosed to others without the written consent of FCj. Copyright FCj.

SELECT LOAD PATTERNS							
METRAL P/N	ROW	PIN CODE					
		1	2	3	4	5	6
59566-X001 SEE NOTE 15 LEAD FREE OPTION	E	02	02	02	02	02	02
	D	02	02	02	02	02	02
	C	04	02	04	02	04	03
	B	02	02	02	02	02	02
	A	02	02	02	02	02	02
	GND	02	02	02	02	02	02
59566-X002 SEE NOTE 15 LEAD FREE OPTION	E	03	03	03	03	03	03
	D	02	03	03	03	03	02
	C	04	04	04	04	04	04
	B	03	03	03	03	03	03
	A	03	03	03	03	03	03
	GND	02	02	02	02	02	02
59566-X003 SEE NOTE 15 LEAD FREE OPTION	E	04	02	02	02	02	02
	D	04	02	02	02	02	02
	C	04	02	02	02	02	02
	B	04	02	02	02	02	02
	A	04	02	02	02	02	02
	GND	-	-	-	-	-	-
59566-X004 SEE NOTE 15 LEAD FREE OPTION	E	04	02	02	02	02	02
	D	04	02	02	02	02	02
	C	04	02	02	02	02	02
	B	04	02	02	02	02	02
	A	04	02	02	02	02	02
	GND	02	02	02	02	02	02
59566-X005 SEE NOTE 15 LEAD FREE OPTION	E	02	02	02	02	02	02
	D	02	02	02	02	02	02
	C	02	02	02	02	02	02
	B	02	02	02	02	02	02
	A	02	02	02	02	02	02
	GND	-	02	02	02	02	-
59566-X006 SEE NOTE 15 LEAD FREE OPTION	E	03	02	02	02	02	02
	D	03	02	02	02	02	02
	C	03	02	02	02	02	02
	B	03	02	02	02	02	02
	A	03	02	02	02	02	02
	GND	-	02	02	02	02	-

SELECT LOAD PATTERNS							
METRAL P/N	ROW	PIN CODE					
		1	2	3	4	5	6
59566-X007 SEE NOTE 15 LEAD FREE OPTION	E	02	02	02	02	02	02
	D	02	02	02	02	02	02
	C	04	02	02	02	02	02
	B	02	02	02	02	02	02
	A	02	02	02	02	02	02
	GND	-	02	02	02	02	-

PIN CODES	DIM A
01	5.00
02	5.75
03	6.50
04	7.25
*19	8.00

\* CURRENTLY NOT AVAILABLE



This document is the property of and embodies CONFIDENTIAL and PROPRIETARY information of FCI. No part of the information shown on this document may be used in any way or disclosed to others without the written consent of FCI. Copyright FCI.

mat'l code		SEE TABLE		tolerances unless otherwise specified		CUSTOMER		www.fciconnect.com	
ltr	ecn no.	dr	date	linear	0.X ±0.3	COPY		title VERTICAL SIGNAL HDR 5 ROW P.F. 30 POS. SELECT LOAD STD.	product family METRAL 4000 code 213 size dwg no 59566 sheet 4
M					0.XX ±0.13	projection			
					.XXX ±.051	scale 1:1			
				angles	0° ±2°				
		dr	C. DAILY	2002-01-15					
		engr	J. VOLSTROF	2001-10-31					
		chr	J. VOLSTROF	2002-01-15					
		appd	J. VOLSTROF	2002-01-15					
sheet index	revision sheet								