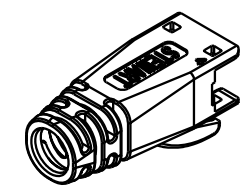
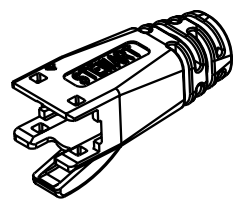
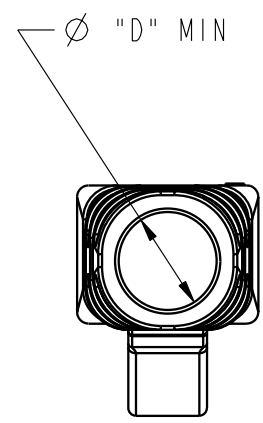
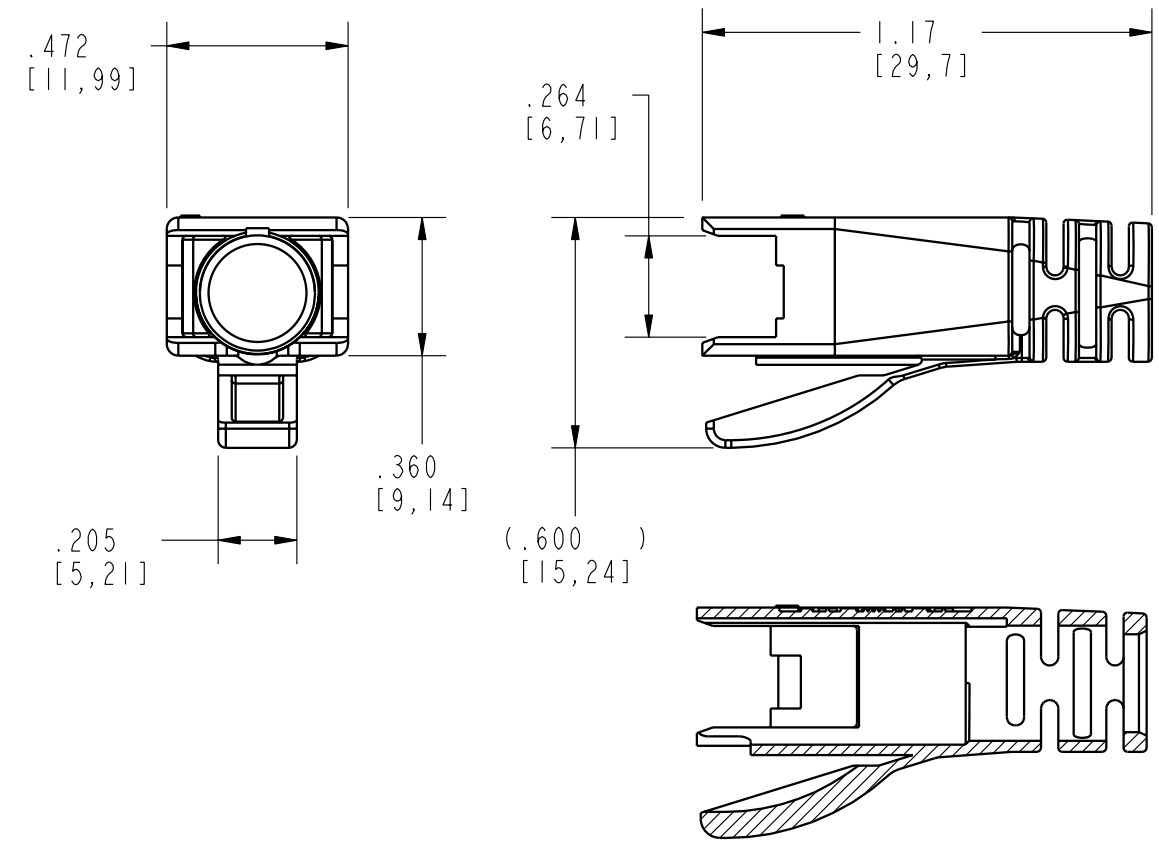


DATE	REV.	ECN	APP'D BY
9-21-10	A0	9074	DHG



ISOMETRIC VIEWS  
SCALE 1.000



PART NUMBER	"D" DIAMETER	COLOR	AVAILABLE	RAL COLOR CODE
39200-872	.250 [6.35]	BLACK	YES	9011
39200-895	.250 [6.35]	CLOUD WHITE	3	7035
39200-875	.250 [6.35]	DARK GREY	3	7038
39200-876	.250 [6.35]	WHITE	3	9010
39200-877	.250 [6.35]	RED	3	3002
39200-878	.250 [6.35]	GREEN	3	6016
39200-879	.250 [6.35]	YELLOW	3	1012
39200-880	.250 [6.35]	BLUE	3	5015
39200-881	.250 [6.35]	PURPLE	3	4001
39200-882	.250 [6.35]	ORANGE	3	2003
39200-883	.295 [7.49]	BLACK	YES	9011
39200-884	.295 [7.49]	CLOUD WHITE	3	7035
39200-885	.295 [7.49]	DARK GREY	3	7038
39200-886	.295 [7.49]	WHITE	3	9010
39200-887	.295 [7.49]	RED	3	3002
39200-888	.295 [7.49]	GREEN	3	6016
39200-889	.295 [7.49]	YELLOW	3	1012
39200-890	.295 [7.49]	BLUE	3	5015
39200-891	.295 [7.49]	PURPLE	3	4001
39200-892	.295 [7.49]	ORANGE	3	2003

NOTES:

- MATERIAL: POLYCARBONATE, UL 94-V0
- USE .250 [6.35] I.D. BOOT FOR CABLES WITH NOMINAL OUTSIDE DIAMETER OF .232 [5.90] TO 2.48 [6.30]. USE .295 [7.49] I.D. BOOT FOR CABLES WITH NOMINAL O.D. OF .250 [6.35] TO .293 [7.44].
- SPECIAL ORDER. CONSULT FACTORY. MINIMUM ORDER PURCHASE QUANTITY MAY APPLY.



THIRD ANGLE PROJECTION	<b>Bel Stewart Connector</b>	
	11118 Susquehanna Trail South Glen Rock, PA 17327-9199 (717) 235-7512 Fax: (717) 235-7954 <a href="http://www.stewartconnector.com">http://www.stewartconnector.com</a>	
DO NOT SCALE DRAWING DRAWING IS SUBJECT TO CHANGE WITHOUT NOTICE	TITLE: LOW PROFILE STRAIN RELIEF BOOT FOR CATEGORY 6 AND 6A SHIELDED PLUG	
DIMENSIONS: INCHES [METRIC]	THIS DRAWING AND THE SUBJECT MATTER SHOWN THEREON ARE CONFIDENTIAL AND THE PROPRIETARY PROPERTY OF BEL STEWART CONNECTOR AND SHALL NOT BE REPRODUCED, COPIED, OR USED IN ANY MANNER WITHOUT PRIOR WRITTEN CONSENT OF BEL STEWART CONNECTOR. THE SUBJECT MATTER MAY BE PATENTED OR A PATENT MAY BE PENDING.	DRN BY: DHG DATE 2-25-10
UNLESS OTHERWISE SPECIFIED TOLERANCES ARE ±.005 [0.13] ANGLES ARE ±1°		APPD BY: TRM DATE 2-25-10
SHEET NO. 1 OF 1		DWG. NO. CT390056 REV. A0