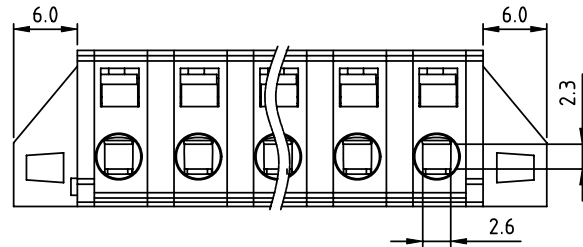
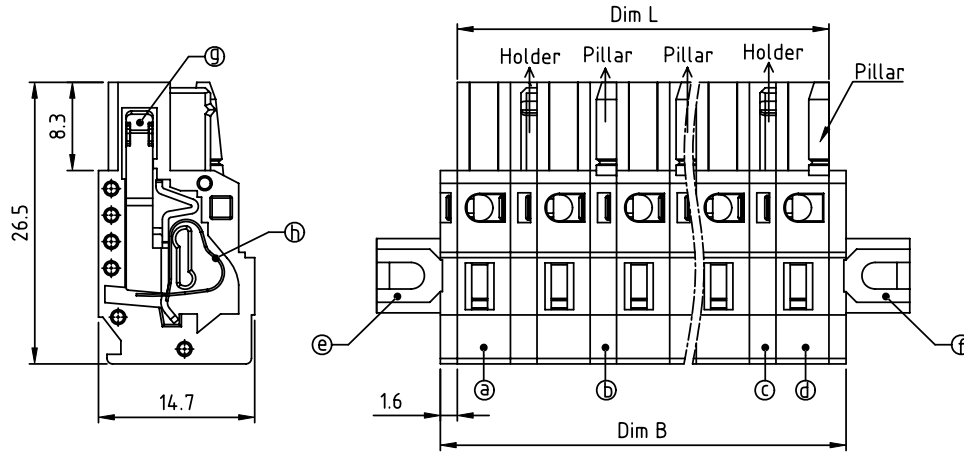
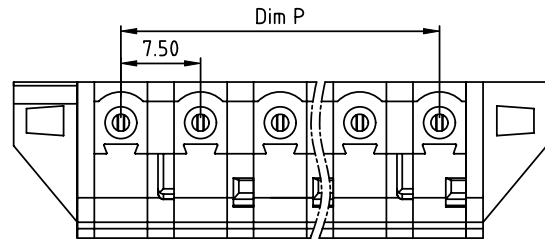


PRODUCT NUMBER	PITCH
Hlxx21x200J0G	7.50 mm



Material:

- Item ① Terminal housing: Thermoplastic (UL94V-0)
- Item ② Pad board (With pillar): Thermoplastic (UL94V-0)
- Item ③ Pad board (With holder): Thermoplastic (UL94V-0)
- Item ④ Terminal housing (With pillar): Thermoplastic (UL94V-0)
- Item ⑤ Left cover with flange: Thermoplastic (UL94V-0)
- Item ⑥ Right cover with flange: Thermoplastic (UL94V-0)
- Item ⑦ Female contact: PhBz. Tin plated
- Item ⑧ Spring Clamp: Stainless steel

Electrical:

- cULus
- Voltage rating: 300 V
 - Current rating: 8 A (mated with NC and NB series)
 - Wire range:
 - Solid wire (AWG): 12-28
 - Stranded wire (AWG): 12-28
 - Wire strip length: 8-9 mm
 - Withstanding Voltage: 1.6KV
 - Operating temperature: -40°C to +115°C

Layout of Holder and Pillar:

2P	Holder+Pillar
3P	Holder+Holder+Pillar
4P	Holder+Pillar+Holder+Pillar
5P	Holder+Pillar+Pillar+Holder+Pillar
5P over	Holder+Pillar+...+Pillar+Holder+Pillar

DIMENSION	Poles	Tolerance
Dim L=N×7.5-2.5	2P-4P	±0.15
Dim P=(N-1)×7.5	5P-8P	±0.25
Dim B=N×7.5+0.7	9P-12P	±0.30
	13P-16P	±0.40

N=Number of poles

PART NO.: **HI xx 21 x 2 00J0 G**

- End stackable 0
 - No. of poles 2
 - 02 2 poles 3
 - 03 3 poles 4
 - 5
 - 16 16 poles 6
- Color
- Black (RAL9005)
 - Red (RAL3001/D)
 - Orange (RAL2011/P)
 - Yellow (RAL1018/A)
 - Green (RAL6018/T)
 - Blue (RAL5015/A)
 - Grey (RAL7035/D)
 - White (RAL1102)
 - Green (RAL6018/U)
- RoHS compliant (lead<4%
In copper Alloy)

mat'l. code		surface ASME Y14.5 ✓	tolerance ASME Y14.5	projection 	product family TERMINAL BLOCK
ltr	ecn no	dr	date	tolerances unless otherwise specified	title TERMINAL BLOCK SPRING CLAMP, PLUGGABLE PLUG, WITH FLANGE, 100% PROTECTED AGAINST MISMATING
				angles 	
				X±0.5	scale MM
				X.X±0.3	dwg no Hlxx21x200J0G
				X.XX±0.1	
		dr	EVIN ZHONG	051414	FCI type CUSTOMER Drawing
		enr	EVIN ZHONG	051414	
		chr	HANKE FENG	051414	
		appd	SHI JUN	051414	
sheet index	revision	A			
	sheet	1			