

LT6658

Precision Dual Output, High Current, Low Noise, Voltage Reference

DESCRIPTION

Demonstration circuit 2432B features the **LT[®]6658**, a precision dual output reference that combines the performance of a low drift low noise reference and a linear regulator. Demonstration circuits are available with 1.25V, 2.5V, 3.0V, 3.3V, 4.096V and 5V output option parts. Both outputs are ideal for driving the precision reference inputs of high resolution ADCs and DACs, even with heavy loading while simultaneously acting as output supplies for powering microcontrollers and other supporting devices. Both outputs have the same precision specifications and track each

other over temperature. Each output can be configured with external resistors to give an output voltage up to 6V.

Using Kelvin connections, the LT6658 typically has 0.1ppm/mA load regulation with up to 150mA load current. A noise reduction pin is available to band-limit and lower the total integrated noise.

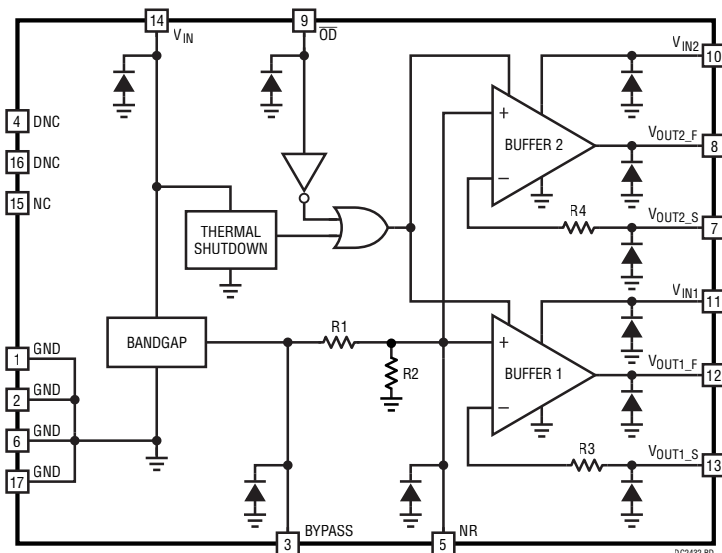
Design files for this circuit board are available at <http://www.linear.com/demo/DC2432B>

LT, LT, LTC, LTM, Linear Technology and the Linear logo are registered trademarks and Refulator is a trademark of Analog Devices, Inc. All other trademarks are the property of their respective owners.

PERFORMANCE SUMMARY Specifications are at T_A = 25°C

SYMBOL	PARAMETER	CONDITIONS	MIN	TYP	MAX	UNITS
V _{IN}	Input Supply Range		5V		36	V
V _{OUT}	Output Voltage Accuracy		-0.05		+0.05	%
Temperature Drift					10	ppm
I _Q	Supply Current			2		mA
Load Regulation	OUT1	0mA to 150mA			2	μV/mA
Load Regulation	OUT2	0mA to 50mA			3.75	μV/mA

LT6658 BLOCK DIAGRAM



Voltage Option (V)	R1 (Ω)	R2 (Ω)	R3, R4 (Ω)
1.2	400	9600	768
1.8	400	2903	705
2.5	400	OPEN	800
3	400	OPEN	800
3.3	400	OPEN	800
5	400	OPEN	800

QUICK START PROCEDURE

With the demonstration circuit, it is easy to set up and evaluate the performance of the LT6658. Refer to Figure 1 for proper measurement equipment setup and follow the procedure below.

1. With the power off, connect the power supply positive to V_{IN} and the common to GND. With default settings, the supply can range from $V_{OUT} + 2.5V$ to 36V.
2. Connect a DVM to the V_{OUT} turret OUT1 with the common connection attached to ground.
3. Turn on power supply and confirm reference operation on OUT1, and also OUT2.

JUMPER SUMMARY

JP1: V_{IN} Input Selection. This jumper has 3 positions:

1. SEP: Separates the V_{IN} from the V_{IN1} and V_{IN2} output buffer supplies
2. COM/V2: Shorts the V_{IN2} output buffer supply pin to V_{IN}
3. COM/V1: Shorts the V_{IN1} output buffer supply pin to V_{IN}

JP2: V_{IN1}/V_{IN2} Output Buffer Supply Connection:

1. SEP: Separates the V_{IN1} and V_{IN2} output buffer supply
2. COM: Shorts the V_{IN1} and V_{IN2} output buffer supplies

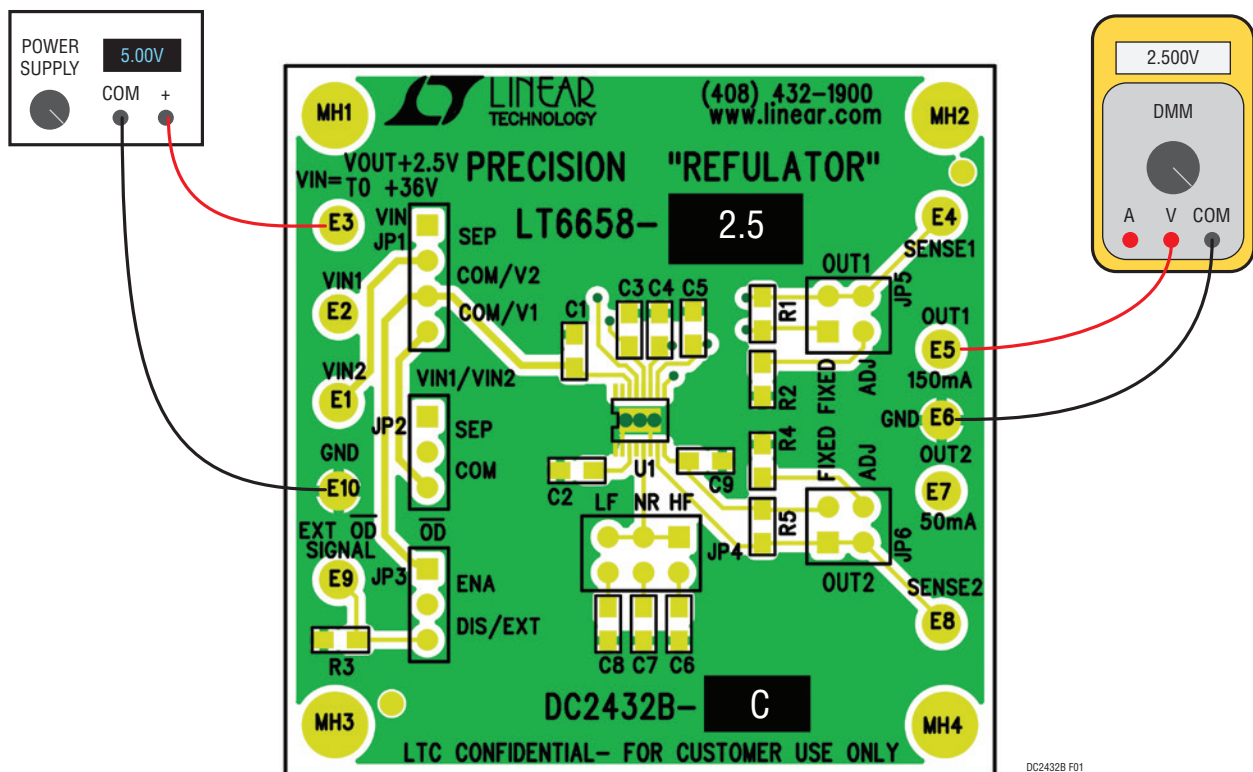


Figure 1. Test Setup

DC2432B F01

QUICK START PROCEDURE

JP3: \overline{OD} Output Disable:

1. ENA: Enables the outputs
2. DIS/EXT: Disables the outputs or allows the \overline{OD} pin to be driven externally.

JP4: Noise Reduction Select:

1. LF: 10 μ F
2. NF: Optional cap
3. HF: 0.1 μ F

JP5: OUT1 Select:

1. Fixed: OUT1 sense line is shorted to OUT1 Force and the output is fixed.
2. ADJ: OUT1 sense line is separated from OUT1 Force allowing for resistors R1 and R2 to be installed and programming the OUT1 voltage to a different value.

JP6: OUT2 Select:

1. Fixed: OUT2 sense line is shorted to OUT2 Force and the output is fixed.
2. ADJ: OUT2 sense line is separated from OUT2 Force allowing for resistors R4 and R5 to be installed and programming the OUT2 voltage to a different value.

OPTIONAL SETTINGS

1. Programming the Output Voltage

By separating the V_{OUT_S} line from the V_{OUT_F} and using 2 resistors to create a divider in the feedback of the output amplifier, the reference output can be programmed from the nominal output voltage, up to 2.5V below the supply voltage. The output voltage range is limited on the high side due to internal ESD clamps that protect the pins when the voltage goes above 6V. The output voltage can be set using the equation:

$V_{OUT} = V_{REF} \cdot (R1 + R2)/R2$ with V_{REF} set by nominal output voltage

The resistors will affect the temperature drift and accuracy of the LT6658 output, so care should be given when choosing resistors. It is crucial that the resistor ratio stay consistent over temperature to guarantee the best reference performance.

2. Setting the Noise Reduction

The noise reduction pin can be used to filter the reference output. The demo board comes with two pre-installed capacitors that can be selected with the NR jumper. The effects of the different capacitors are shown in Figure 2, and the 3dB frequencies produced by various NR capacitors for each output voltage variant are provided in Table 1.

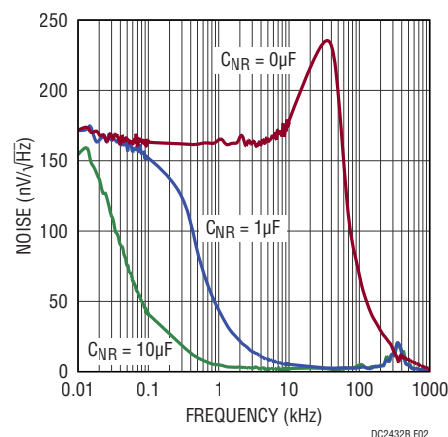


Figure 2. LT6658 Bandgap Output Voltage Noise with Various NR Capacitor Values

Table 1. NR Capacitor Values and the Corresponding 3dB Frequency

NR Capacitor (μ F)	1.2V NR 3dB Frequency (Hz)	1.8V NR 3dB Frequency (Hz)	2.5V, 3V, 3.3V, 5V NR 3dB Frequency (Hz)
0.1	4145	4522	3979
0.22	1884	2055	1809
0.47	882	962	847
1	414	452	398
2.2	188	206	181
4.7	88	96	85
10	41	45	40
22	19	21	18

DEMO MANUAL DC2432B

DEMONSTRATION BOARD IMPORTANT NOTICE

Linear Technology Corporation (LTC) provides the enclosed product(s) under the following **AS IS** conditions:

This demonstration board (DEMO BOARD) kit being sold or provided by Linear Technology is intended for use for **ENGINEERING DEVELOPMENT OR EVALUATION PURPOSES ONLY** and is not provided by LTC for commercial use. As such, the DEMO BOARD herein may not be complete in terms of required design-, marketing-, and/or manufacturing-related protective considerations, including but not limited to product safety measures typically found in finished commercial goods. As a prototype, this product does not fall within the scope of the European Union directive on electromagnetic compatibility and therefore may or may not meet the technical requirements of the directive, or other regulations.

If this evaluation kit does not meet the specifications recited in the DEMO BOARD manual the kit may be returned within 30 days from the date of delivery for a full refund. **THE FOREGOING WARRANTY IS THE EXCLUSIVE WARRANTY MADE BY THE SELLER TO BUYER AND IS IN LIEU OF ALL OTHER WARRANTIES, EXPRESSED, IMPLIED, OR STATUTORY, INCLUDING ANY WARRANTY OF MERCHANTABILITY OR FITNESS FOR ANY PARTICULAR PURPOSE. EXCEPT TO THE EXTENT OF THIS INDEMNITY, NEITHER PARTY SHALL BE LIABLE TO THE OTHER FOR ANY INDIRECT, SPECIAL, INCIDENTAL, OR CONSEQUENTIAL DAMAGES.**

The user assumes all responsibility and liability for proper and safe handling of the goods. Further, the user releases LTC from all claims arising from the handling or use of the goods. Due to the open construction of the product, it is the user's responsibility to take any and all appropriate precautions with regard to electrostatic discharge. Also be aware that the products herein may not be regulatory compliant or agency certified (FCC, UL, CE, etc.).

No License is granted under any patent right or other intellectual property whatsoever. **LTC assumes no liability for applications assistance, customer product design, software performance, or infringement of patents or any other intellectual property rights of any kind.**

LTC currently services a variety of customers for products around the world, and therefore this transaction **is not exclusive**.

Please read the DEMO BOARD manual prior to handling the product. Persons handling this product must have electronics training and observe good laboratory practice standards. **Common sense is encouraged.**

This notice contains important safety information about temperatures and voltages. For further safety concerns, please contact a LTC application engineer.

Mailing Address:

Linear Technology
1630 McCarthy Blvd.
Milpitas, CA 95035

Copyright © 2004, Linear Technology Corporation