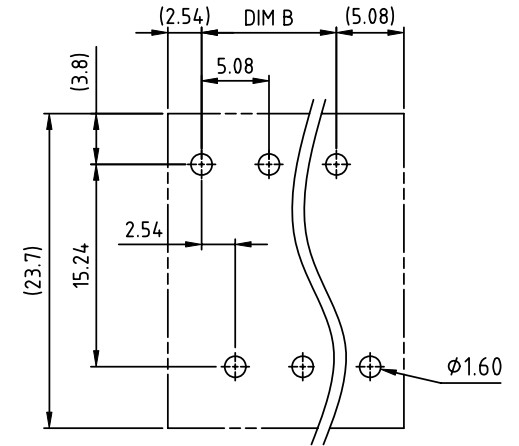
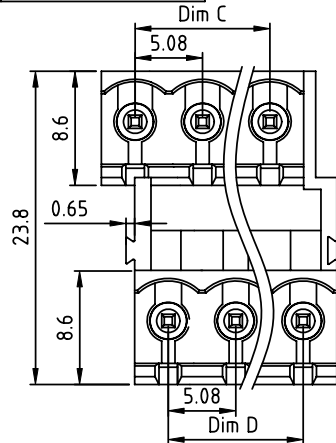
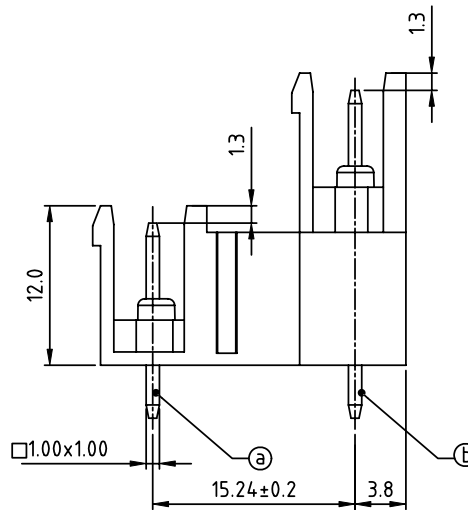
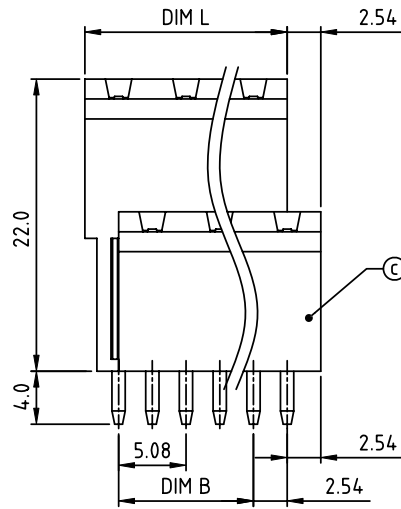


PRODUCT NUMBER	PITCH
VFxx50x000J0G	5.08 mm



RECOMMENDED P.C.B LAYOUT
TOP VIEW



Material:

- ItemⒶ Short pin: Copper, Tin plated
- ItemⒷ Long pin: Copper, Tin plated
- ItemⒸ Terminal (housing): Thermoplastic (UL94V-0)

Electrical cULus

- Voltage rating: 300VAC
- Current rating: 10A
- Withstanding Voltage: 1.6KV
- Operating temperature: -40°C to +115°C
- Soldering temperature: 260°C±5°C/5 Sec
- Safety Approval:

PART NO.: VF xx 50 x 0 00J0 G

Dimension	
Dim L	N/2×5.08
Dim B	(N/2-1)×5.08
Dim C	(N/2-1)×5.08
Dim D	(N/2-1)×5.08

N=Number of poles		
Poles	Tolerance	
2×2P-2×5P	±0.15	
2×6P-2×10P	±0.20	
2×11P-2×15P	±0.25	
2×16P-2×20P	±0.30	
2×21P-2×24P	±0.35	

- | | | | |
|--------------|---------------------|---|-----------------|
| ↓ | Color | ↓ | RoHS compliant |
| Solid block | 0 Black (RAL9005) | ↓ | (lead<4%) |
| No. of poles | 2 Red (RAL3001/D) | ↓ | In copper Alloy |
| 04 2x2poles | 3 Orange(RAL2011/P) | | |
| 06 2x3poles | 4 Yellow(RAL1018/A) | | |
| | 5 Green(RAL6018/T) | | |
| 48 2x24poles | 6 Blue (RAL5015/A) | | |
| | 8 Grey(RAL7035/D) | | |
| | 9 White(RAL1102) | | |
| | C Green(RAL6018/U) | | |

mat'l. code				surface ASME Y14.5	tolerance ASME Y14.5	projection	product family TERMINAL BLOCK
ltr	ecn	no	dr	tolerances unless otherwise specified		MM	title TERMINAL BLOCK
				angles	X.±0.5		scale
				dr	X.X±0.3		dwg no VFxx50x000J0G
				enrg	X.XX±0.1		sheet 1 of 1
				chr			size A4
				appd			type CUSTOMER Drawing
sheet index	revision	A					
	sheet	1					