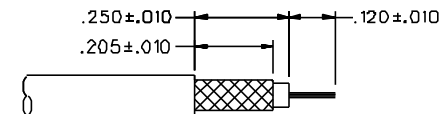
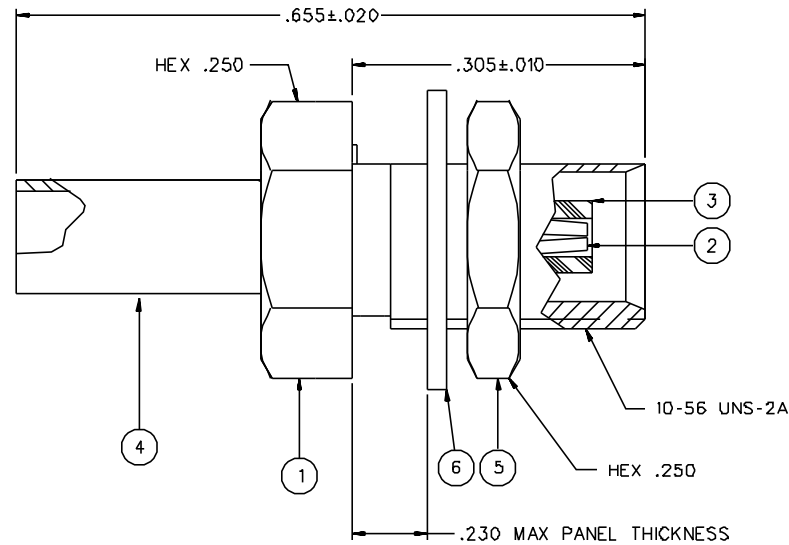
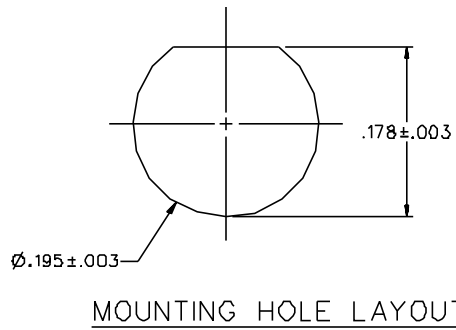


| PART NUMBER  | ITEM ①<br>BODY  | ITEM ②<br>CONTACT  | ITEM ③<br>INSULATOR | ITEM ④<br>CRIMP SLEEVE   | ITEM ⑤<br>NUT   | ITEM ⑥<br>WASHER  |
|--------------|---|--|---------------------|--|---|---|
| 133-3302-401 | BRASS<br>GOLD PL .00001 MIN OVER<br>NICKEL PL .00005 MIN OVER<br>COPPER PL .00005 MIN | BERYLLIUM COPPER<br>GOLD PL .00003 MIN OVER<br>NICKEL PL .00005 MIN OVER<br>COPPER PL .00005 MIN | TEFLON              | COPPER<br>GOLD PL .00001 MIN OVER<br>NICKEL PL .00005 MIN OVER<br>COPPER PL .00005 MIN | BRASS<br>GOLD PL .00001 MIN OVER<br>NICKEL PL .00005 MIN OVER<br>COPPER PL .00005 MIN | PHOSPHOR BRONZE<br>GOLD PL .00001 MIN OVER<br>NICKEL PL .00005 MIN OVER<br>COPPER PL .00005 MIN |
| 131-3302-406 | BRASS<br>NICKEL PL .0001 MIN OVER<br>COPPER PL .00005 MIN                             | BERYLLIUM COPPER<br>GOLD PL .00003 MIN OVER<br>NICKEL PL .00005 MIN OVER<br>COPPER PL .00005 MIN | TEFLON              | COPPER<br>NICKEL PL .0001 MIN OVER<br>COPPER PL .00005 MIN                             | BRASS<br>NICKEL PL .0001 MIN OVER<br>COPPER PL .00005 MIN                             | PHOSPHOR BRONZE<br>NICKEL PL .0001 MIN OVER<br>COPPER PL .00005 MIN                             |

|   |   |
|---|---|
| DRAWING NO.<br>C - 133-3302-401/410   |   |
| 0   | REVISIONS                               |
| ENGINEERING RELEASE   |   |
| 1   | 12-13-95 R H S I A B 12-15-95 ECN 43773 |
| ADDED: .230 MAX PANEL THICKNESS   |   |
| 1a  | 3-26-96 R H S I A B ECN 44003           |
| VERSION UPDATE  |   |
| 1b  | 3-23-98 R H S I A B ECN 44921           |
| RF LEAKAGE: -55 dB WAS -7D,<br>5.6 LBS MAX ENGAGE WAS 3.4 LBS,<br>1.0 / 8.0 LBS DISENGAGE WAS<br>2.25 / 4.5.                    |   |
| * REVISION NUMBER FOLLOWED BY AN ALPHA *<br>* CHARACTER INDICATES DRAWING CLARIF. *<br>* GATION OR PART NUMBER ADDITION ONLY. * |   |
| 1c  | 12-15-00 R H S I A B ECN 47525          |



CABLE STRIP DIMENSIONS

4:1

CUSTOMER DRAWING

THIS DRAWING TO BE INTERPRETED PER ANS Y 14.5M - 1982

"μSTATION"

COMPANY CONFIDENTIAL

NOTES:

1. SPECIFICATIONS:

IMPEDANCE: 50 OHMS  
 FREQUENCY RANGE: 0-6 GHz  
 VSWR: 1.17+.04F MAX (F IN GHz)  
 WORKING VOLTAGE: 250 VRMS MAX AT SEA LEVEL  
 DIELECTRIC WITHSTANDING VOLTAGE: 750 VRMS MIN AT SEA LEVEL  
 INSULATION RESISTANCE: 10000 MEGOHM MIN  
 CONTACT RESISTANCE:  
 CENTER CONTACT - INITIAL 5 MILLIOHM MAX, AFTER ENVIRONMENTAL 8 MILLIOHM MAX  
 OUTER CONDUCTOR - GOLD PLATED INITIAL 1 MILLIOHM MAX, AFTER ENVIRONMENTAL 1.5 MILLIOHM MAX  
 NICKEL PLATED INITIAL 2.5 MILLIOHM MAX, AFTER ENVIRONMENTAL 3.5 MILLIOHM MAX  
 BODY TO CABLE - GOLD PLATED INITIAL 1 MILLIOHM MAX, AFTER ENVIRONMENTAL NOT APPLICABLE  
 NICKEL PLATED INITIAL 2.5 MILLIOHMS MAX, AFTER ENVIRONMENTAL NOT APPLICABLE  
 CORONA LEVEL: 190 VOLTS MINIMUM AT 70,000 FEET  
 INSERTION LOSS: .1DB MAX AT 1GHz  
 RF LEAKAGE: -55 DB AT 2.5 GHz  
 RF HIGH POTENTIAL WITHSTANDING VOLTAGE: 500 VRMS AT 4 AND 7 MHZ

MECHANICAL:

ENGAGE/DISENGAGE FORCE: 5.6 LBS MAX ENGAGEMENT  
 1.0 LB MIN DISENGAGEMENT  
 8.0 LBS MAX DISENGAGEMENT

CONTACT RETENTION FORCE: NOT APPLICABLE  
 CONTACT RETENTION TORQUE: NOT APPLICABLE  
 COUPLING MECHANISM RETENTION: NOT APPLICABLE  
 CABLE ACCEPTABILITY: RG 17B/U, RG 196/U  
 CABLE HEX CRIMP SIZE: .105  
 CABLE RETENTION: 10 LBS MIN AXIAL FORCE  
 DURABILITY: 500 CYCLES MIN

ENVIRONMENTAL:

{MEETS OR EXCEEDS THE APPLICABLE PARAGRAPH OF MIL-C-39012}  
 THERMAL SHOCK: MIL-STD-202, METHOD 107, CONDITION F  
 OPERATING TEMPERATURE: -65 DEG C TO 165 DEG C  
 CORROSION: MIL-STD-202, METHOD 101, CONDITION B  
 SHOCK: MIL-STD-202, METHOD 213, CONDITION B  
 VIBRATION: MIL-STD-202, METHOD 2D4, CONDITION B  
 MOISTURE RESISTANCE: MIL-STD-202, METHOD 106

|                                      |                    |                  |   |                                     |
|--------------------------------------|--------------------|------------------|---|-------------------------------------|
| TOLERANCE UNLESS OTHERWISE SPECIFIED | DRAWN BY<br>SWC    | DATE<br>8-18-95  | <br>Cinch Connectivity Solutions<br>299 Johnson Ave. Ste. 100<br>Waseca, MN 56093<br>1-800-247-8256 |                                     |
| DECIMALS<br>.XX                      | CHECKED BY<br>SWC  | DATE<br>12-13-95 | TITLE<br>BULKHEAD JACK ASSEMBLY<br>STRAIGHT CABLED, RG 17B<br>MCX                                   |                                     |
| .XXX+-.003                           | APPROVED BY<br>TAK | DATE<br>12-13-95 | CODE NO.  | DRAWING NO.<br>C - 133-3302-401/410 |
| MATL                                 | APPROVED BY<br>RJE | DATE<br>12-13-95 | SCALE 10:1  | U/M INCH SHEET 2 OF 2               |
| FINISH                               | RELEASE DATE       | 12-15-95         |   |                                     |