

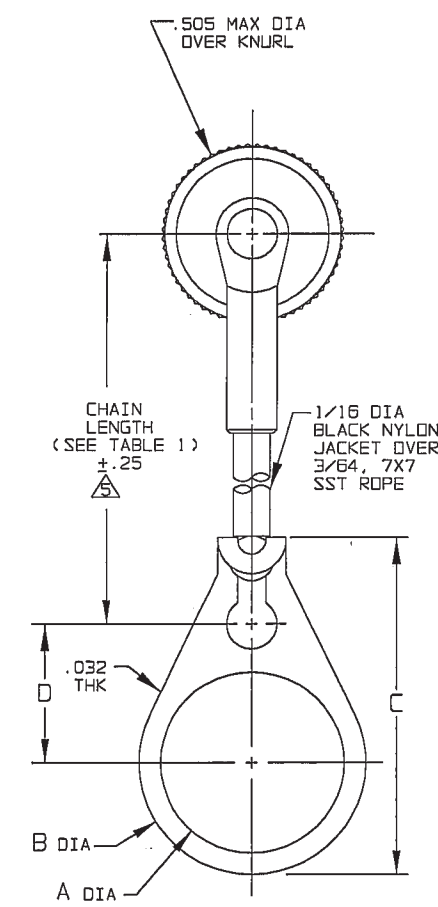
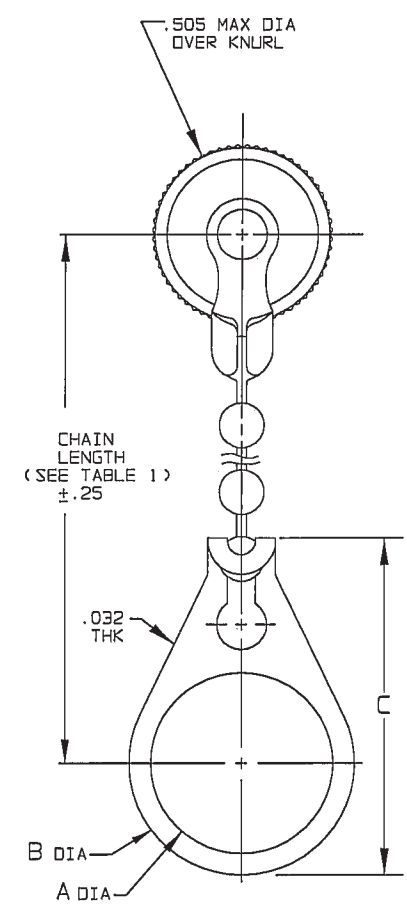
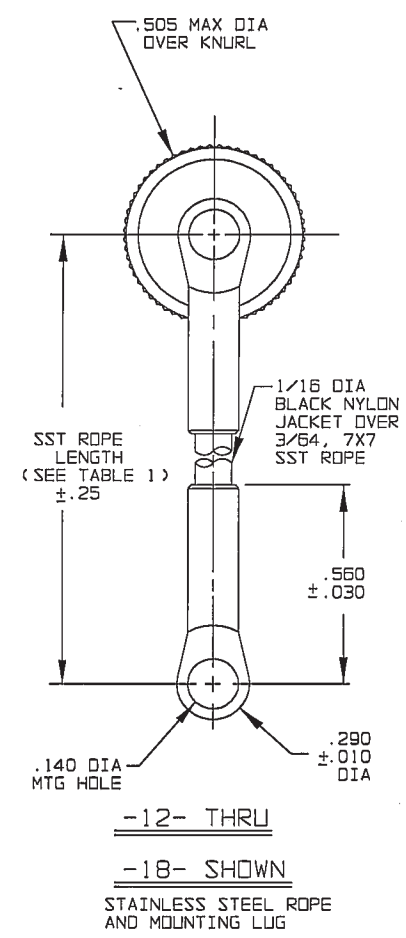
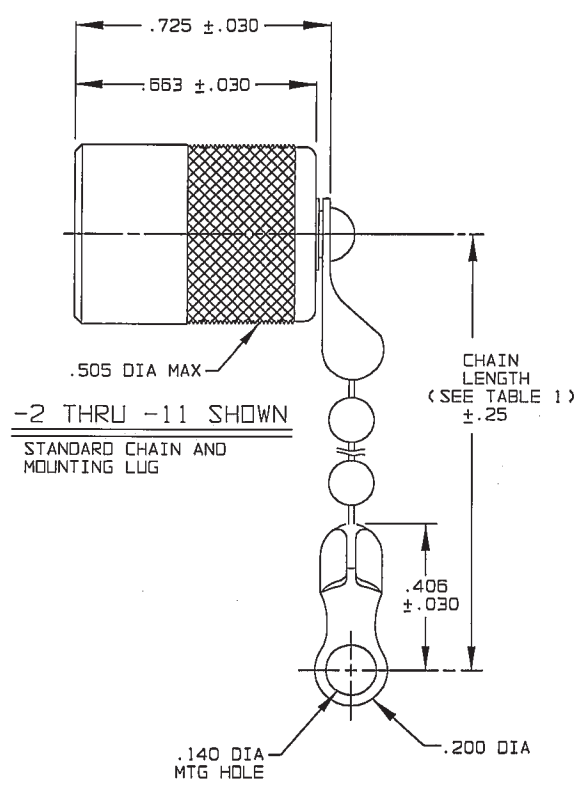
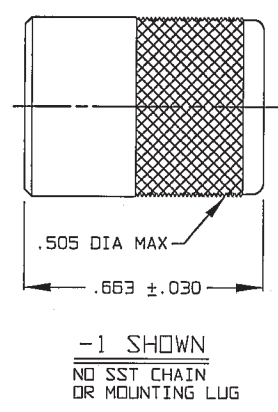
TABLE 1	
DASH NO	DESCRIPTION
-1	CAP (NO CHAIN)
-2	CAP WITH 2.50 BRASS CHAIN
-3	CAP WITH 2.50 NYLON CHAIN
-4	CAP WITH 3.00 BRASS CHAIN
-5	CAP WITH 3.00 NYLON CHAIN
-6	CAP WITH 6.00 BRASS CHAIN
-7	CAP WITH 6.00 NYLON CHAIN
-8	CAP WITH 4.00 BRASS CHAIN
-9	CAP WITH 4.00 NYLON CHAIN
-10	CAP WITH 10.00 BRASS CHAIN
-11	CAP WITH 10.00 NYLON CHAIN
-12	CAP WITH 2.50 JACKETED SST ROPE
-13	CAP WITH 3.00 JACKETED SST ROPE
-14	CAP WITH 6.00 JACKETED SST ROPE
-15	CAP WITH 4.00 JACKETED SST ROPE
-16	CAP WITH 7.00 JACKETED SST ROPE
-17	CAP WITH 4.50 JACKETED SST ROPE
-18	CAP WITH 18.0 JACKETED SST ROPE

TABLE 2				
DASH NO	"A" DIA	"B" DIA	"C" DIM	"D" DIM
-01	.755	.875	1.191	.513
-02	.630	.750	1.066	.450
-03	.505	.625	.941	.388
-04	.439	.562	.878	.356
-05	.380	.500	.816	.325
-06	.317	.437	.753	.294
-07	.281	.406	.722	.278
-08	.610	.750	1.066	.450
-09	.567	.687	1.003	.419
-010	.192	.312	.628	.231
-011	1.005	1.125	1.441	.638
-008	.330	.450	.766	.300

DATA CONTAINED IN THIS DOCUMENT IS PROPRIETARY TO TROMPETER ELECTRONICS INC. AND SHALL NOT BE DISCLOSED, COPIED OR USED FOR PROCUREMENT OR MANUFACTURE WITHOUT EXPRESS WRITTEN PERMISSION OF TROMPETER ELECTRONICS INC.

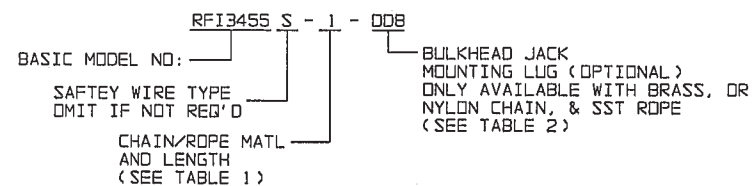
REVISIONS		1-0071	SH 1
REV	DESCRIPTION	DATE	APPROVED
E	REVISED PER ECO 15103	7/1/03	usg

RED INDICATES ORIGINAL



NOTE THAT LENGTH FOR SST ROPE WITH MOUNTING LUG OPTION IS NOT MEASURED TO CENTER OF BULKHEAD MOUNTING LUG

4. EXAMPLE OF COMPLETE MODEL NO:



3. THREADED RFI CAP WITH & WITHOUT CHAIN, JACKETED STAINLESS STEEL ROPE OR SAFETY WIRE HOLES AND MOUNTING LUG OPTION
2. FINISH: TFS-1U (500 HRS SALT SPRAY)
1. ALL DIM ARE IN INCHES

INTERPRET DRAWING PER MIL-STD-100 DIMENSIONS ARE IN INCHES AND INCLUDE FINISH THICKNESS UNLESS OTHERWISE SPECIFIED		TOL: UNLESS SPECIFIED .XX .XXX ± .005 .XXXX ANGLES			
DRAWN: AAH	DATE: 6-27-03	MATERIAL:	TITLE: RFI3455/S		
CHECKED: [Signature]	DATE: 6/30/03	FINISH:	SIZE: A	CAGE CODE: 14949	DRAWING NO: 1-0071
QUANTITY: 100	DATE: 7/1/03	SCALE: 4/1	DATE: 1-28-88	SHEET: 1C	REV: E
HAND: [Signature]	DATE: 7/1/03	DO NOT SCALE DWG			
APPROVED: [Signature]	DATE: 7/1/03				
CAD FILE NO: 1-0071E					