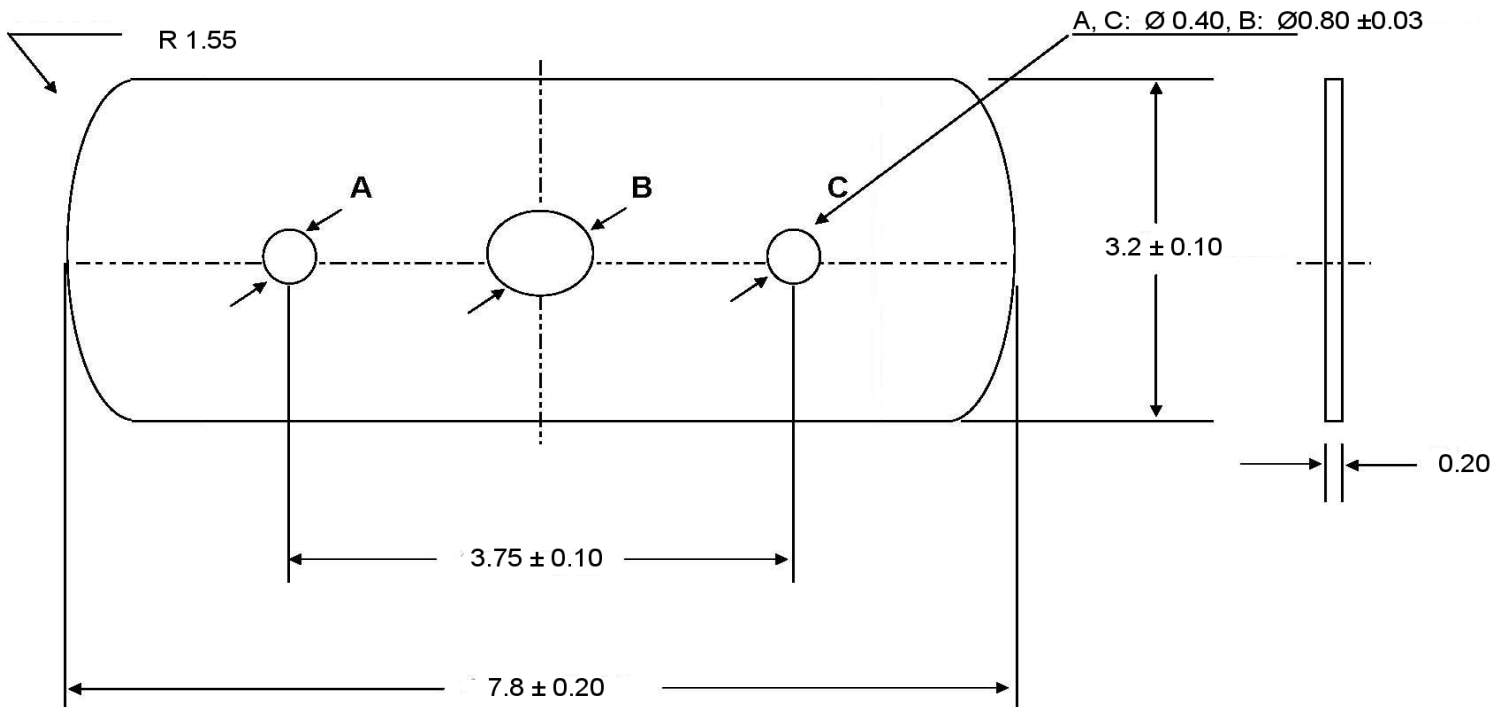


REVISIONS			
REV	DESCRIPTION	DATE	APPROVED



ECS P/N: 706-TFL-UM1



ECS INC. INTERNATIONAL
 1105 S. Ridgeview
 Olathe, KS 66062
 (913) 782-7787

SIGNATURES	DATE
DRN BL	7/13/2011
CHK RC	7/13/2011
APP DK	7/13/2011

TITLE		REV
UM-1 Base Insulator		-
SIZE A	DWG NO.706-TFL-UM1	REV

Dimensions in mm	CAGE CODE: 1G8B7	SHEET 1 OF 1
------------------	------------------	--------------