

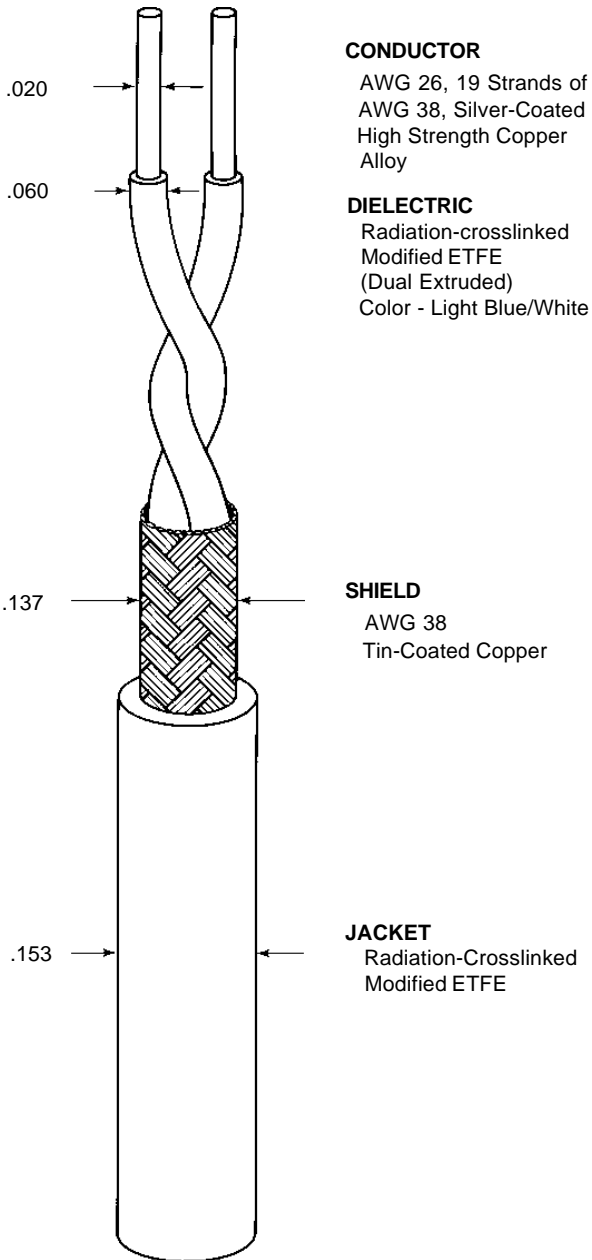
THIS SPECIFICATION SHEET FORMS A PART OF THE LATEST ISSUE OF RAYCHEM SPECIFICATION 1200.

CONSTRUCTION DETAILS

ELECTRICAL CHARACTERISTICS

DIMENSIONS ARE NOMINAL VALUES IN INCHES UNLESS OTHERWISE DESIGNATED.

CHARACTERISTIC IMPEDANCE	100 ± 10 ohms, Method D at 1 MHz
CAPACITANCE - MUTUAL	16.0 pF/ft. (nominal)



ADDITIONAL REQUIREMENTS

COMPONENT WIRE PRIOR TO CABLING (Test Procedures per SAE AS22759)

CROSSLINK PROOF	300 ± 3°C for 1 hour, .750 inch mandrel, .625 lb., 2.5 kV dielectric test
LOW TEMPERATURE COLD BEND	-65 ± 2°C for 4 hours, .500 inch mandrel, .500 lb., 2.5 kV dielectric test
SHRINKAGE	200 ± 3°C for 1 hours, .125 inch (maximum) in 12 inches
INSULATION RESISTANCE	5000 megohms for 1000 ft. (minimum)
INSULATION (DIELECTRIC) (total insulation)	
TENSILE STRENGTH	5000 lbf/in ² (minimum)
ELONGATION	50% (minimum)
INSULATION FLAWS	
SPARK TEST	3.0 kV (rms)
IMPULSE TEST	8.0 kV (peak)

FINISHED CABLE (Test Procedures per NEMA WC27500)

BLOCKING	200°C for 6 hours
LOW TEMPERATURE COLD BEND	-55 ± 5°C for 4 hours, 6.0 inch mandrel
CROSSLINKED VERIFICATION	300 ± 5°C for 6 hours, 6.0 inch mandrel
FLAMMABILITY (Method B of Spec 1200)	3 seconds (maximum); 3.0 inches (maximum), no flaming of facial tissue
JACKET FLAWS	
SPARK TEST	1.0 kV (rms)
IMPULSE TEST	6.0 kV (peak)
JACKET	
TENSILE STRENGTH	5000 lbf/in ² (minimum)
ELONGATION	50% (minimum)
JACKET THICKNESS	.005 (minimum) .008 (nominal)
SHIELD COVERAGE	90% (minimum)
VOLTAGE WITHSTAND (DIELECTRIC)	1500 volts (rms)

WEIGHT	14.6 lbs/1000 ft. (nominal)
--------	-----------------------------

Outer jacket color will be white (designated by a "-9" appended to the part number, e.g. 0026A1664-9) unless otherwise specified.

Designate outer jacket color with a dash number in accordance with MIL-STD-681. Other codes and suffixes may be added to the part number, as necessary, to capture any additional requirements imposed by the purchase order.

Users should evaluate the suitability of this product for their application. Specifications are subject to change without notice.

Tyco Electronics also reserves the right to make changes in materials or processing, which do not affect compliance with any specification, without notification to Buyer.