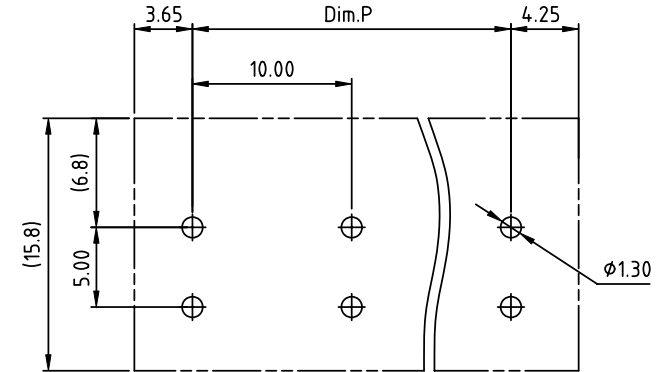
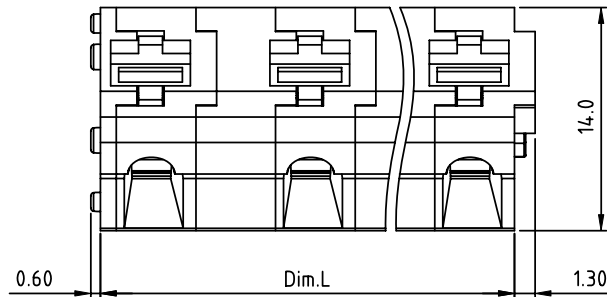


PRODUCT NUMBER	PITCH
HTxx10x000J0G	10.00mm



RECOMMENDED P.C.B LAYOUT
TOP VIEW

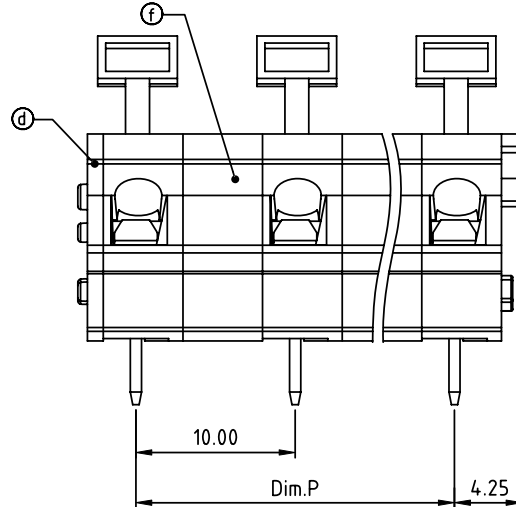
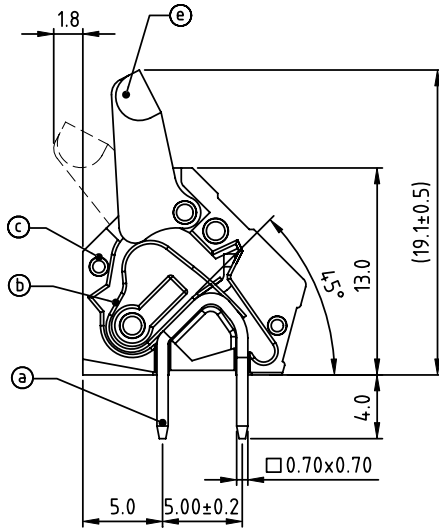
Material:

- Item (a) Solder pin: Brass, Tin plated
- Item (b) Spring clamp: Stainless steel
- Item (c) Terminal housing: Thermoplastic (UL94V-0)
- Item (d) Terminal cover: Thermoplastic (UL94V-0)
- Item (e) Terminal lever: Thermoplastic (UL94V-HB)
- Item (f) Pad board: Thermoplastic (UL94V-0)

Electrical

- Voltage rating: 300V
- Current rating: 15A
- Wire range:
- Solid wire(AWG): 12-28
- Stranded wire(AWG): 12-28
- Wire strip length: 6-7mm
- Withstanding Voltage: 1.6KV
- Operating temperature: -40°C to +115°C
- Soldering temperature: 260°C±5°C/5 Sec
- Safety Approval:

cULus



PART NO.: HT xx 10 x 000J0 G

Dim.P=(N-1)×10.0
Dim.L=(N-1)×10.0+6.0
N=Number of poles

POLES	Dim.L	Dim.P
2p-6p	±0.25	±0.25
7p-12p	±0.40	±0.35

No. of poles	Body Color	RoHS compliant
0	Black (RAL9005)	(lead<4%)
2	Red (RAL3001/D)	In copper Alloy
02 2 poles	3 Orange(RAL2011/P)	
03 3 poles	4 Yellow(RAL1018/A)	
...	5 Green(RAL6018/T)	
12 12 poles	6 Blue (RAL5015/A)	
	8 Grey(RAL7004/P)	
	9 White(RAL1102)	
	C Multiple colors	

mat'l. code		surface ASME Y14.5	tolerance ASME Y14.5	projection	product family TERMINAL BLOCK
ltr	ecn no	dr	date		title TERMINAL BLOCK
				tolerances unless otherwise specified	SPRING CLAMP, 45D WIRE INLET
				angles ϕ	scale
				X±0.5	
				X.X±0.3	
				X*1*	
				X.XX±0.1	
				dr	dwg no
				ENGR	sheet 1 of 1
				EVIN ZHONG	size
				052814	A4
				ENGR	HTxx10x000J0G
				EVIN ZHONG	
				052814	
				chr	type
				HANKE FENG	CUSTOMER Drawing
				052814	
				appd	
				SHI JUN	
				052814	
sheet index	revision	A			
	sheet	1			