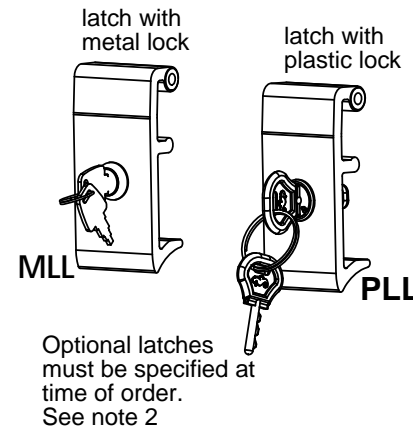
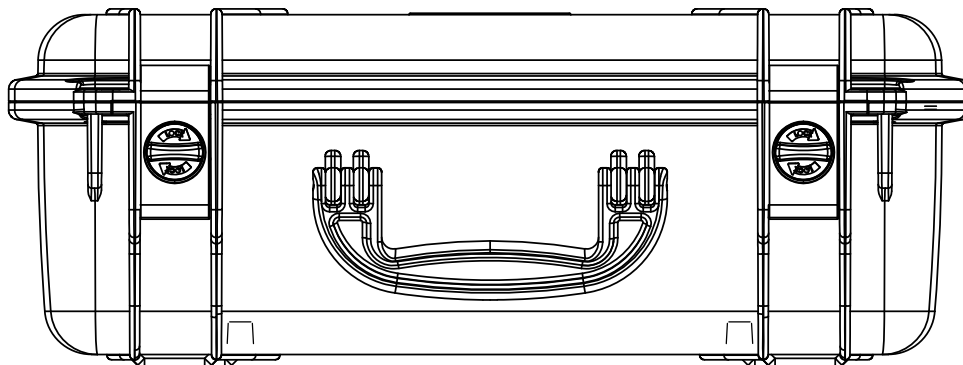
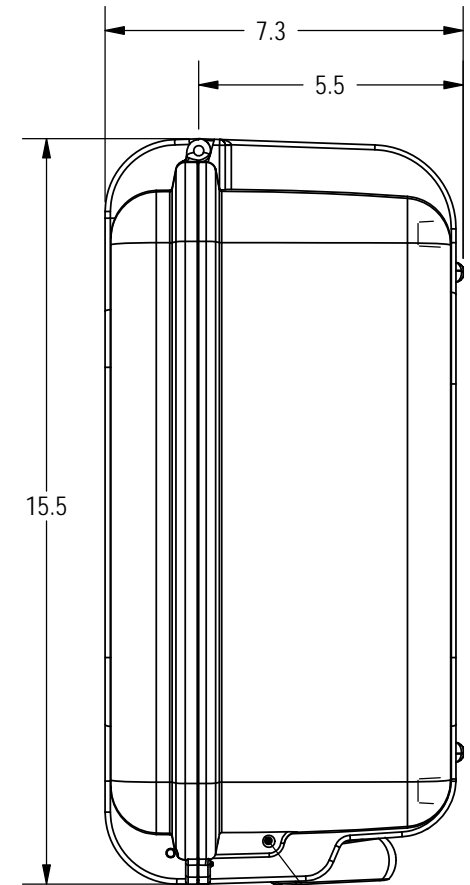
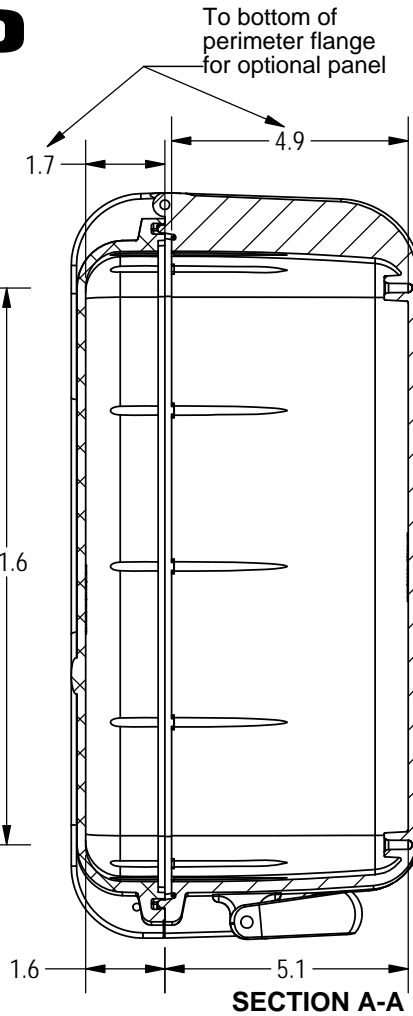
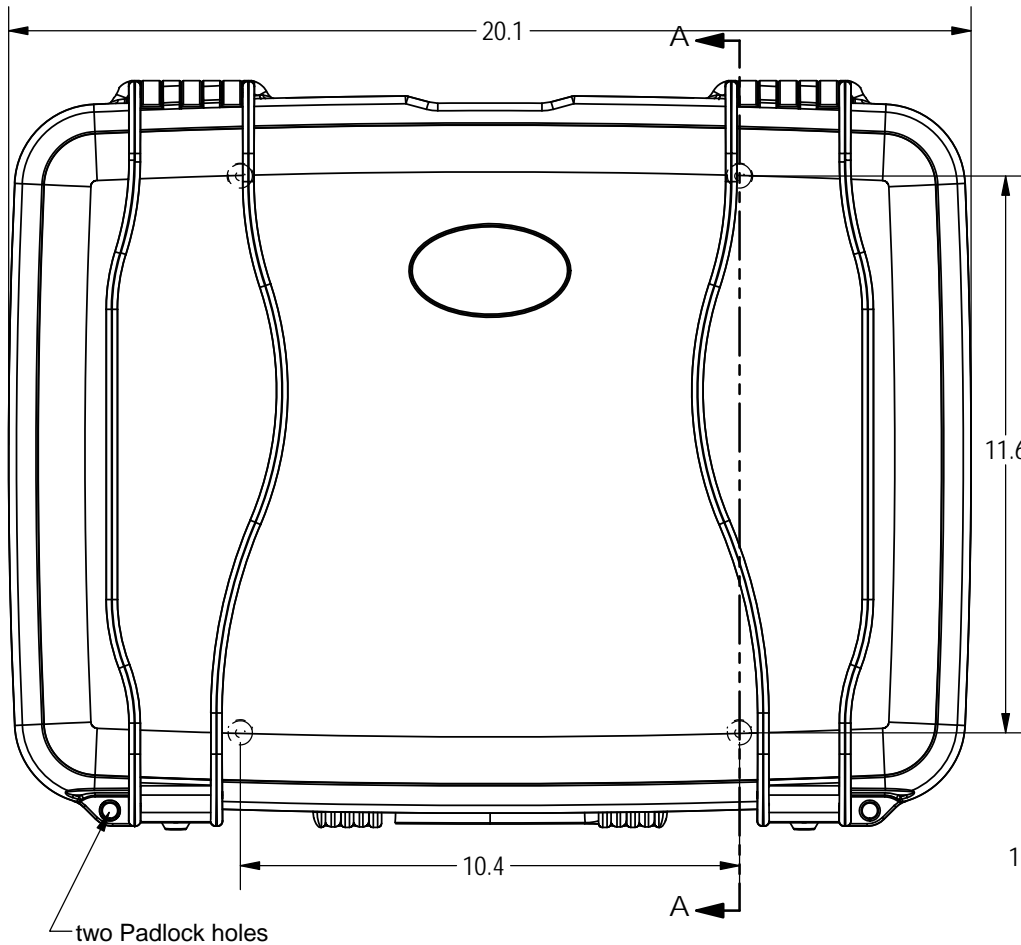


SERPAC SE720

Electronic Enclosures



NOTES:

- 1) Max. usable inside dimensions are:
18 5/16" X 13 3/16" X 6 3/16"
(6 11/16" to bottom of boss) (18.3" X 13.2" X 6.2")
- 2) With Metal Lock Latches p/n R720ML and Plastic Lock Latches p/n R720PLL are optional.