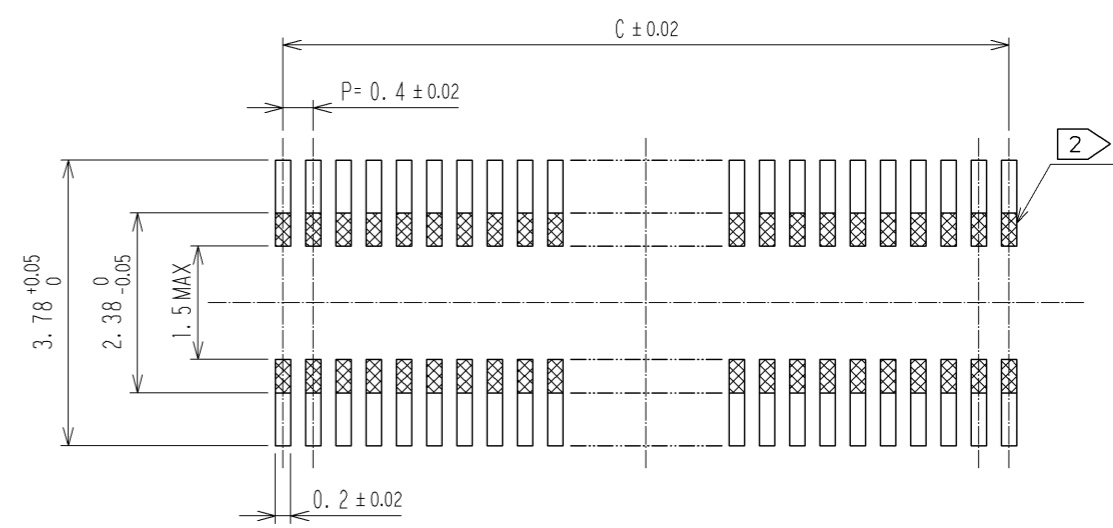
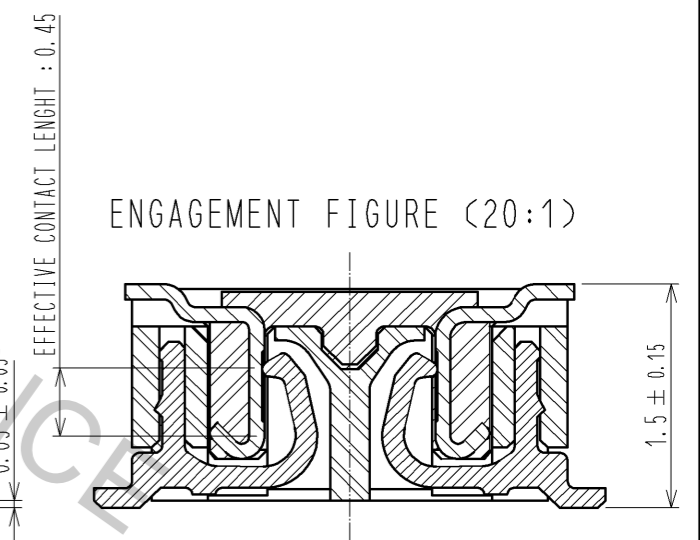
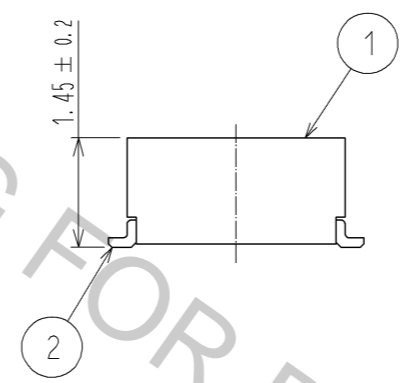
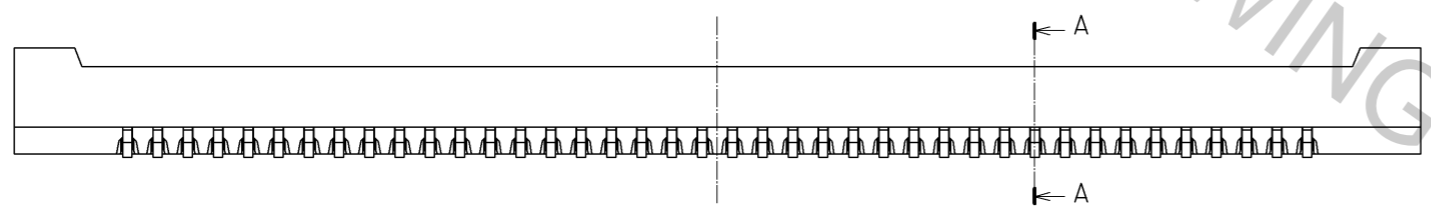


RECOMMENDED PATTERN



RECOMMENDED METAL MASK THICKNESS :  $120 \mu\text{m}$   
 RECOMMENDED METAL MASK OPENING RATIO : 80% FOR LEAD PAD



- NOTES ) 1. ALL LEADS CO-PLANARITY SHALL BE 0.1 MAX.  
 2. IS NO PATTERN AREA OTHER THAN THE SAME CIRCUIT.  
 3. HRS MARK AND CAV NO. IS INDICATED IN APPROXIMAL POSITION SHOWN.  
 4. GATE POSITION OF 60 TO 100 POSITIONS IS POSITIONED IN APPROXIMAL AREA SHOWN.  
 5. GATE POSITION OF 10 TO 50 POSITIONS IS POSITIONED IN APPROXIMAL AREA SHOWN.  
 A PART OF THE WALL COULD BE NOTCHED FOR SETTING GATE.  
 6. 60 TO 100 POSITIONS HAVE CONCAVE PORTION.

| 製品名                  | 製品コード           | B    | C    | D   |
|----------------------|-----------------|------|------|-----|
| DF40C-10DS-0.4V(51)  | CL684-4036-2-51 | 4.6  | 1.6  | 1.0 |
| DF40C-20DS-0.4V(51)  | CL684-4005-9-51 | 6.6  | 3.6  | 1.0 |
| DF40C-24DS-0.4V(51)  | CL684-4006-1-51 | 7.4  | 4.4  | 1.0 |
| DF40C-30DS-0.4V(51)  | CL684-4007-4-51 | 8.6  | 5.6  | 1.5 |
| DF40C-34DS-0.4V(51)  | CL684-4023-0-51 | 9.4  | 6.4  | 2.3 |
| DF40C-40DS-0.4V(51)  | CL684-4008-7-51 | 10.6 | 7.6  | 3.2 |
| DF40C-50DS-0.4V(51)  | CL684-4009-0-51 | 12.6 | 9.6  | 3.2 |
| DF40C-60DS-0.4V(51)  | CL684-4004-6-51 | 14.6 | 11.6 | 3.2 |
| DF40C-70DS-0.4V(51)  | CL684-4016-5-51 | 16.6 | 13.6 | 3.2 |
| DF40C-80DS-0.4V(51)  | CL684-4002-0-51 | 18.6 | 15.6 | 3.2 |
| DF40C-90DS-0.4V(51)  | CL684-4124-8-51 | 20.6 | 17.6 | 3.2 |
| DF40C-100DS-0.4V(51) | CL684-4033-4-51 | 22.6 | 19.6 | 3.2 |

| NO. | MATERIAL        | FINISH . REMARKS  | NO. | MATERIAL  | FINISH . REMARKS             |
|-----|-----------------|---|-----|-----------|------------------------------|
| 2   | PHOSPHOR BRONZE | CONTACT AREA:GOLD $0.05 \mu\text{m}$ MIN<br>SMT LEAD:GOLD $0.05 \mu\text{m}$ MIN<br>UNDERPLATING:NICKEL $1 \mu\text{m}$ MIN | 6   | PS        | CLEAR, REINFORCEMENT COLLAR  |
|     |                 |   | 5   | PS        | BLACK, PLASTIC REEL          |
|     |                 |   | 4   | POLYESTER | CLEAR, COVER TAPE            |
| 1   | LCP             | BLACK, UL94V-0  | 3   | PS        | CLEAR, EMBOSSED CARRIER TAPE |

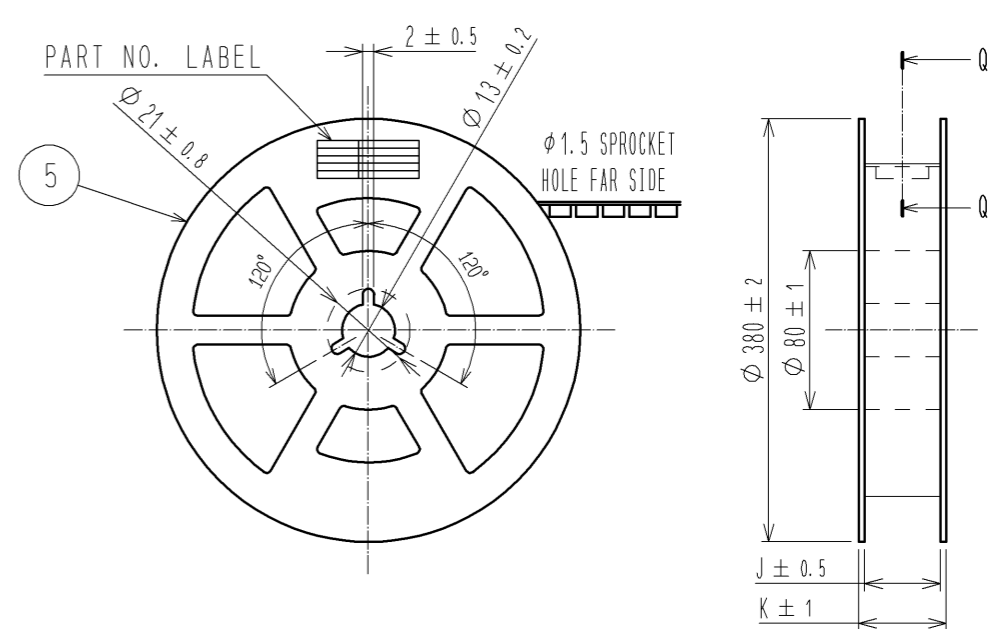
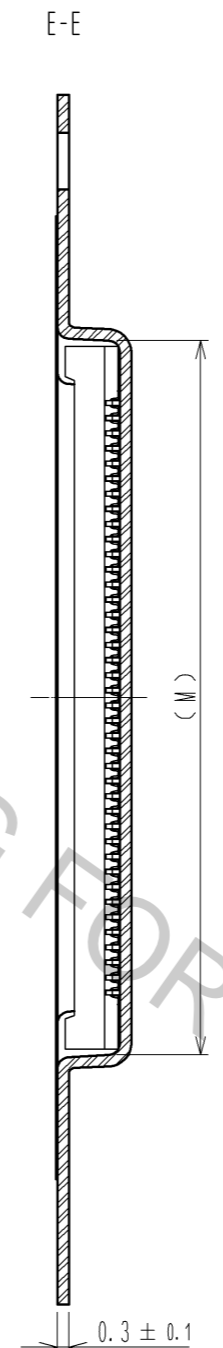
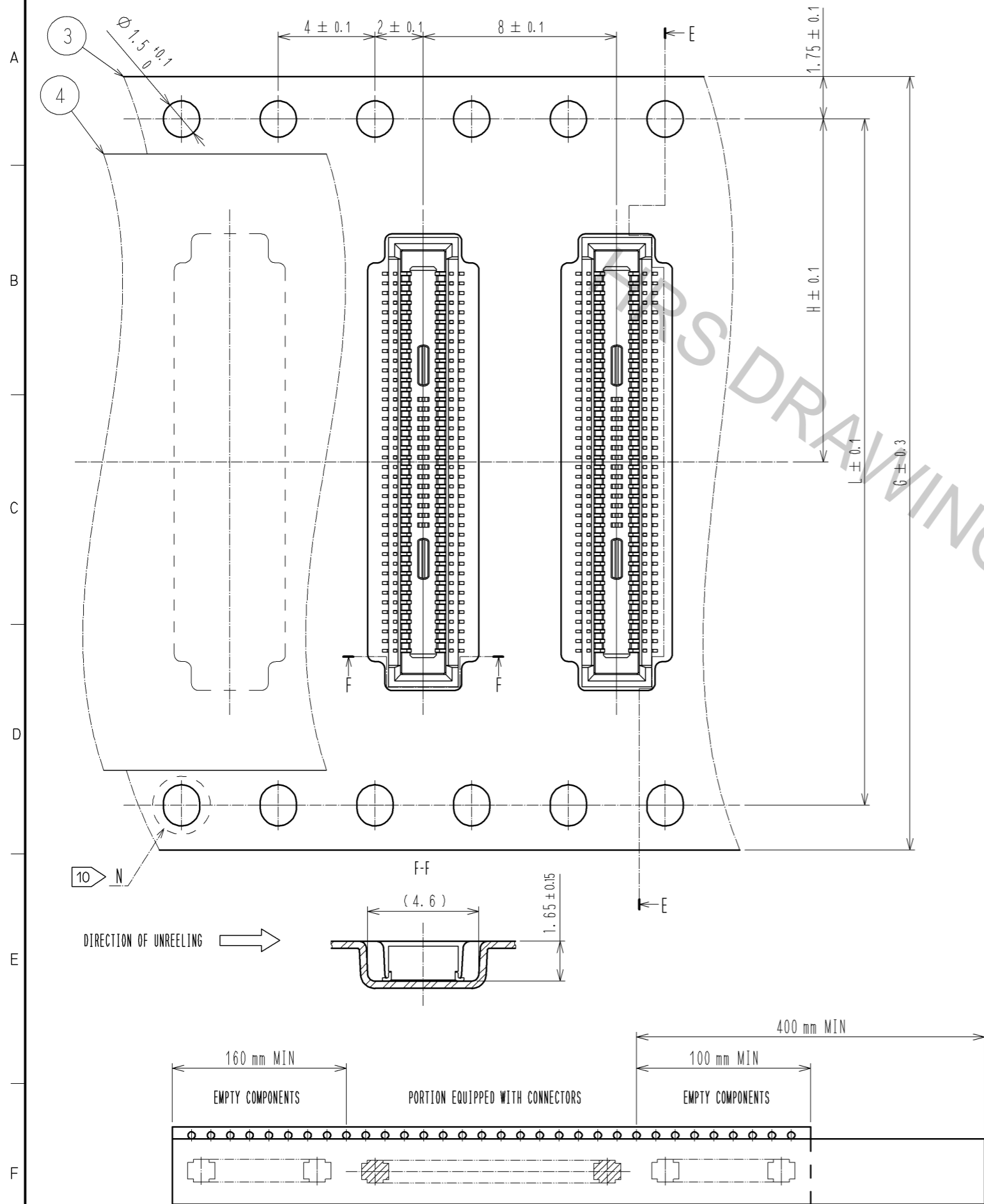
| UNITS | SCALE | COUNT | DESCRIPTION OF REVISIONS | DESIGNED   | CHECKED      | DATE       |
|-------|-------|-------|--------------------------|------------|--------------|------------|
| mm    | 10:1  | 2     | DIS-H-006409             | TR. YUNOKI | TS. MIYAZAKI | 11. 12. 09 |

|                         |            |             |                    |
|-------------------------|------------|-------------|--------------------|
| APPROVED : MO. NAKAMURA | 05. 12. 09 | DRAWING NO. | EDC3-311352-00     |
| CHECED : KH. IKEDA      | 05. 12. 09 | PART NO.    | DF40C-*DS-0.4V(51) |
| DESIGNED : MY. GOTO     | 05. 12. 09 | CODE NO.    | CL684              |
| DRAWN : MY. GOTO        | 05. 12. 09 |             |                    |

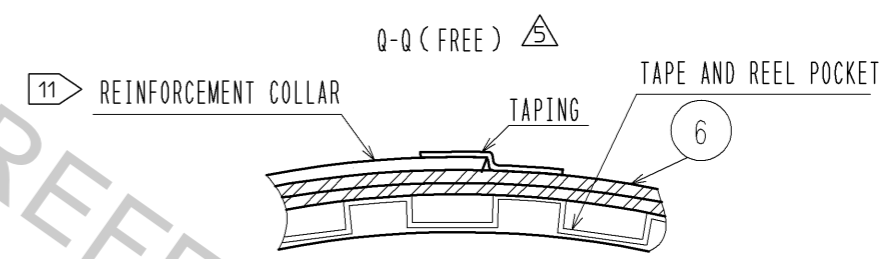
# EMBOSSED CARRIER TAPE PACKAGING (5:1)

# STYLE AND DIMENSION OF REEL(FREE SIZE)

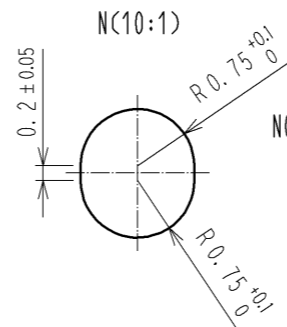


### DETAIL OF PART NO. LABEL

|       |                    |                      |
|-------|--------------------|----------------------|
| 製造年月日 | ** ** *            | DATE OF MANUFACTURED |
| 製品コード | CL684-****-51      | CODE NO.             |
| 製品名   | DF40C-*DS-0.4V(51) | PART NO.             |
| 数量    | 5000               | QUANTITY             |
| 納入者   | ヒロセ電機(株)           | SUPPLIER             |



| PART NO.             | G  | H    | J    | K    | L    | M    |
|----------------------|----|------|------|------|------|------|
| DF40C-10DS-0.4V(51)  | 16 | 7.5  | 17.5 | 21.5 | —    | 4.9  |
| DF40C-20DS-0.4V(51)  | 16 | 7.5  | 17.5 | 21.5 | —    | 6.9  |
| DF40C-24DS-0.4V(51)  | 16 | 7.5  | 17.5 | 21.5 | —    | 7.7  |
| DF40C-30DS-0.4V(51)  | 24 | 11.5 | 25.5 | 29.5 | —    | 8.9  |
| DF40C-34DS-0.4V(51)  | 24 | 11.5 | 25.5 | 29.5 | —    | 8.9  |
| DF40C-40DS-0.4V(51)  | 24 | 11.5 | 25.5 | 29.5 | —    | 10.9 |
| DF40C-50DS-0.4V(51)  | 24 | 11.5 | 25.5 | 29.5 | —    | 12.9 |
| DF40C-60DS-0.4V(51)  | 24 | 11.5 | 25.5 | 29.5 | —    | 14.9 |
| DF40C-70DS-0.4V(51)  | 32 | 14.2 | 33.5 | 37.5 | 28.4 | 16.9 |
| DF40C-80DS-0.4V(51)  | 32 | 14.2 | 33.5 | 37.5 | 28.4 | 18.9 |
| DF40C-90DS-0.4V(51)  | 44 | 20.2 | 45.5 | 49.5 | 40.4 | 20.9 |
| DF40C-100DS-0.4V(51) | 44 | 20.2 | 45.5 | 49.5 | 40.4 | 22.9 |



- NOTES)
- 7. PER REEL 5000 CONNECTORS.
  - 8. THE DIMENSIONS IN PARENTHESSES ARE FOR REFERENCE.
  - 9 REFER TO JIS C 0806(PACKING OF COMPONENTS FOR AUTOMATIC HANDLING)
  - 10 TO 60 POSITIONS EMBOSSED CARRIER TAPE HAS THE SPROCKET HOLE ON ONE SIDES.
  - 11 AFTER PACKAGING, ROLL 2 METERS OF THE REINFORCEMENT COLLAR TO OUTER CIRCUMFERENCE OF TAPE AND REEL POCKET, AND TAPE DOWN AT THE END THE COLLAR.

|            |             |                    |
|------------|-------------|--------------------|
| <b>HRS</b> | DRAWING NO. | EDC3-311352-00     |
|            | PART NO.    | DF40C-*DS-0.4V(51) |
|            | CODE NO.    | CL684              |
|            |             | 2/2                |