

DWG. NO. SD-54393-017

F

D

V

C

B

DO NOT SCALE DRAWING

8

7

6

5

4

3

2

1

F

E

D

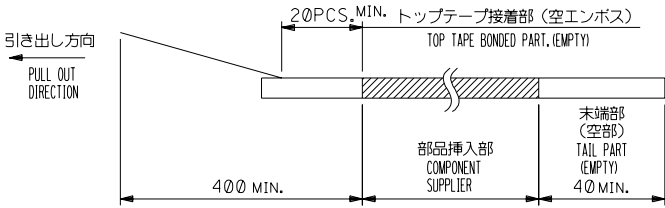
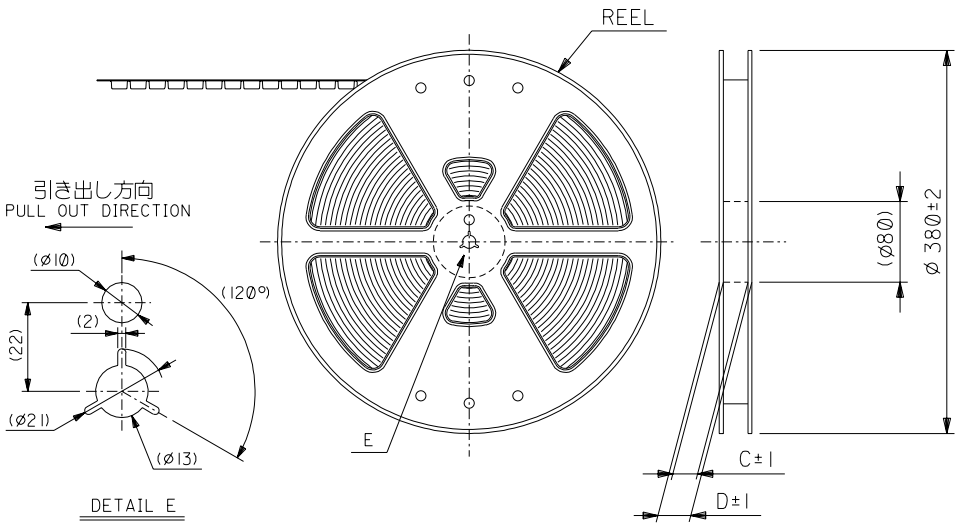
C

B

SD-54393-017.S01

注記 NOTES

- 製品詳細寸法については、図面SD-54393-022を参照下さい。
RE DETAILED DIMENSION, SEE SD-54393-022.
- 梱包数量：2000個/リール
NUMBER OF CONNECTORS : 2000PCS/REEL
- リードテープ長さ LEAD TAPE LENGTH



- トップテープの剥離強度：0.1N~1.3N {10gf~130gf} (剥離方向は下図参照)
尚、本規格値は出荷時に適用。(但し、輸送時に剥離が発生しないこと。)
PEELING OFF FORCE OF TOP TAPE : 0.1N ~ 1.3N {10gf ~ 130gf}
(PEELING DIRECTION AS SHOWN IN FOLLOWING FIG,)
THIS REQUIREMENT SHOULD BE APPLIED AT SHIPMENT.
PEEL OFF SHOULD NOT BE ALLOWED, DURING TRANSPORTATION.

- 材料 (MATERIAL)
キャリアテープ (CARRIER TAPE) : ポリプロピレン (POLYPROPYLENE)
トップテープ (TOP TAPE) : PET, PE, PEF
リール (REEL) : ポリスチレン (PS) <リサイクル材を含む>
POLYSTYREN (PS) <RECYCLE MATERIAL CONTAINED>

- 本製品は54393-**92の鉛フリー品です。
THIS PRODUCT IS LEAD FREE OF 54393-**92

EC NO. DRWN: CHK: APPR:		EC NO. DRWN: CHK: APPR:		EC NO. DRWN: CHK: APPR:		REVISED EC NO. J2004-2846 DRWN:MINOMIYA '04/03/03 CHK: K.TOUJO '04/03/03 APPR:M.SASAO '04/03/03		RELEASED EC NO. J2004-1672 DRWN:T.UENO '03/12/22 CHK: M.SASAO '03/12/22 APPR:M.SASAO '03/12/22		MATERIAL 材料 注記参照 SEE NOTES		GENERAL TOLERANCES: (UNLESS SPECIFIED) 一般公差		54393-**82		MODEL NO.		DIMENSIONS:		SHT		REV			
						A		0		//		10 UNDER 未満 ±0.2		DRAWN BY & DATE T.UENO '03/12/22		THIRD ANGLE PROJECTION		mm INCH mm INCH				REVISE ON CAD ONLY			
										//		10 OVER 30 UNDER 未満 ±0.25		CHECKED BY & DATE M.SASAO '03/12/22		TITLE: 0.3 FPC Conn (Easy on) Hsg Assy Embstp Pkg -LEAD FREE-									
										//		30 OVER 以上 ±0.3		APPROVED BY & DATE M.SASAO '03/12/22		MOLEX MOLEX INCORPORATED									
										//		ANGLE 角度 ±3°		CAD FILENAME SD-54393-017.S01		MATERIAL NO. SEE CHART		DRAWING NO. SD-54393-017				SHEET NO. 1 OF 4		SIZE B	
										//				THIS DRAWING CONTAINS INFORMATION THAT IS PROPRIETARY TO MOLEX INCORPORATED AND SHOULD NOT BE USED WITHOUT WRITTEN PERMISSION.										EN-02J(097) MXJ-54	

8

7

6

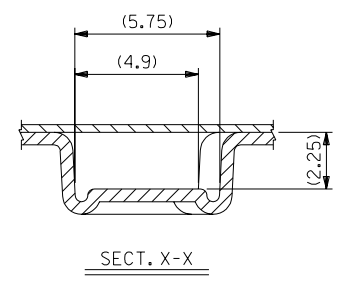
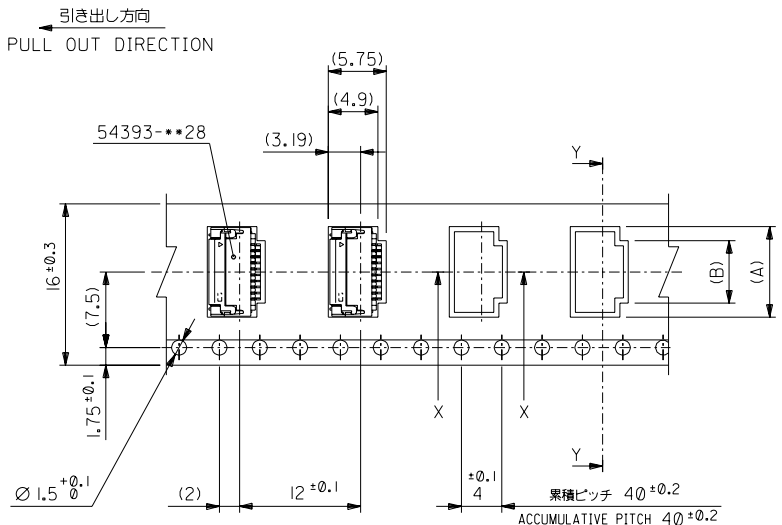
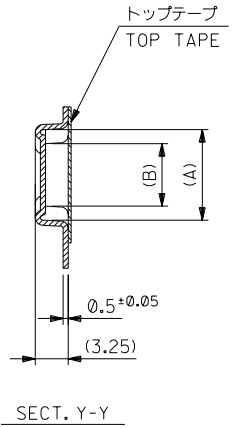
5

4

3

2

EN-02J(097) MXJ-54



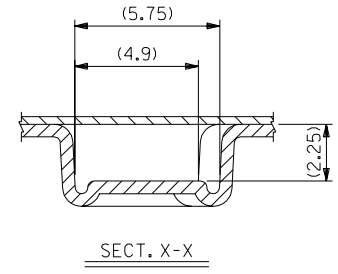
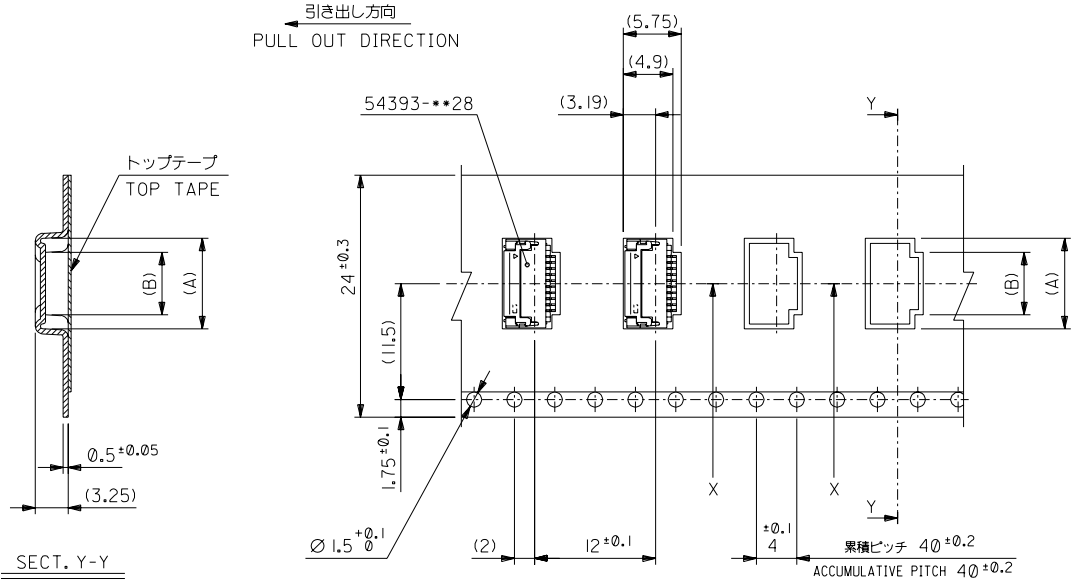
16mm幅キャリアテープ
16mm WIDTH CARRIER TAPE

16	21.4	17.4	5.0	7.8	54393-1782	17
キャリアテープ幅 CARRIER TAPE WIDTH	D	C	B	A	MATERIAL NO.	種数 CKT.

54393-***82		MODEL NO.		DIMENSIONS:		SHT	REV
SCALE	DESIGN UNITS	THIRD ANGLE PROJECTION		<input type="checkbox"/> mm	<input type="checkbox"/> INCH	<input checked="" type="checkbox"/> mm	<input type="checkbox"/> ONLY
—//	<input checked="" type="checkbox"/> mm <input type="checkbox"/> INCH	DRAWN BY & DATE T.UENO '03/12/22		TITLE: 0.3 FPC Conn (Easy on) Hsg Assy Embstp Pkg -LEAD FREE-			
10 UNDER 未満	±0.2	CHECKED BY & DATE M.SASAO '03/12/22		APPROVED BY & DATE M.SASAO '03/12/22			
10 OVER 30 UNDER 未満	±0.25	CAD FILENAME SD-54393-017.S02		MATERIAL NO.	DRAWING NO.	SHEET NO.	
30 OVER 以上	±0.3	ANGLE 角度		SD-54393-017	SD-54393-017	2 OF 4	
THIS DRAWING CONTAINS INFORMATION THAT IS PROPRIETARY TO MOLEX INCORPORATED AND SHOULD NOT BE USED WITHOUT WRITTEN PERMISSION.						SIZE B	

EC NO.	REVISED	EC NO.	RELEASED	EC NO.	REVISION	MATERIAL 材料	注記参照 SEE NOTES	GENERAL TOLERANCES: (UNLESS SPECIFIED) 一般公差
DRWN: CH'K: APPR:	EC NO. J2004-2846 DRWN:MANIOMIYA '04/03/03 CH'K: K.TOJO '04/03/03 APPR:M.SASAO '04/03/03	DRWN: CH'K: APPR:	EC NO. J2004-1672 DRWN:T.UENO '03/12/22 CH'K: M.SASAO '03/12/22 APPR:M.SASAO '03/12/22	DESCRIPTION	FINISH 仕上げ	—//—	—//—	10 UNDER 未満 ±0.2
EC NO.	A	DRWN: CH'K: APPR:	0	WIRE RANGE 適用規格範囲	—//—	—//—	—//—	10 OVER 30 UNDER 未満 ±0.25
DRWN: CH'K: APPR:				INS. RANGE 被覆外径	—//—	—//—	—//—	30 OVER 以上 ±0.3
								ANGLE 角度 ±3°

DWG. NO. SD-54393-017



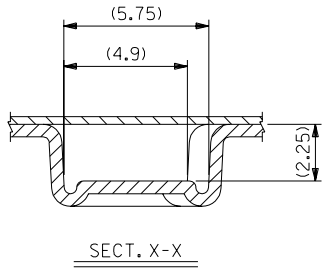
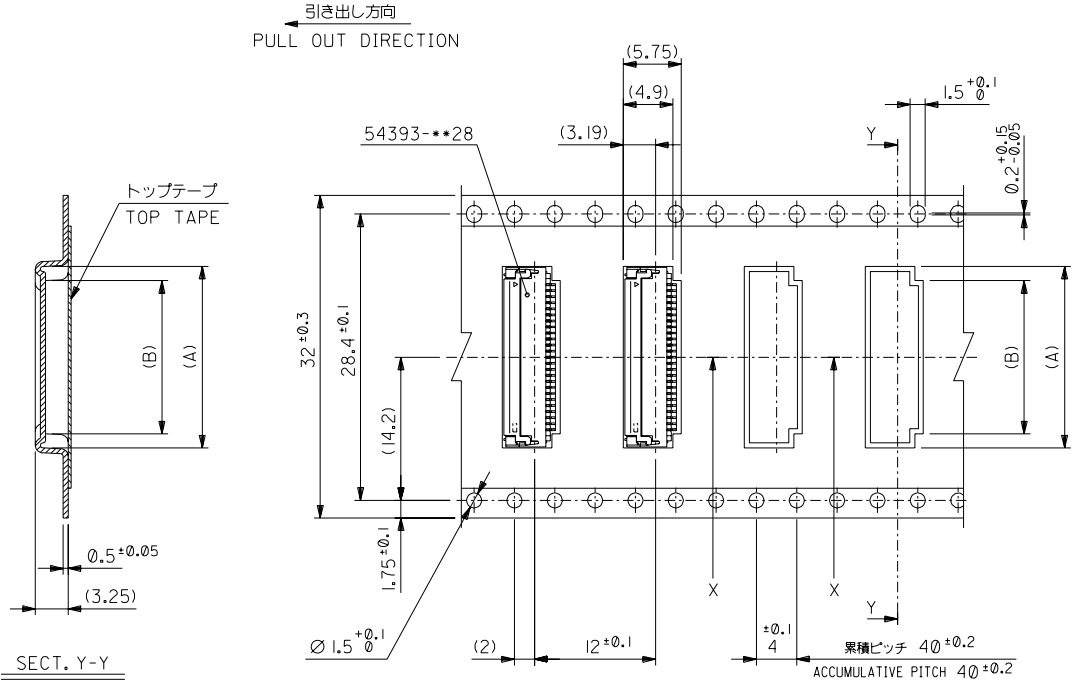
24mm幅キャリアテープ
24mm WIDTH CARRIER TAPE

24	29.4	25.4	13.4	16.2	54393-4582	45
			11.6	14.4	54393-3982	39
			9.8	12.6	54393-3382	33
			8	10.8	54393-2782	27
			6.8	9.6	54393-2382	23
			6.2	9.0	54393-2182	21
キャリアテープ幅 CARRIER TAPE WIDTH	D	C	B	A	MATERIAL NO.	種数 CKT.

DO NOT SCALE DRAWING

EC NO. DRWN: CHK: APPR:	EC NO. DRWN: CHK: APPR:	EC NO. DRWN: CHK: APPR:	REVISED EC NO. J2004-2846 DRWN:MINOMIYA '04/03/03 CHK: K.TOUJO '04/03/03 APPR:M.SASAO '04/03/03 RELEASED EC NO. J2004-1672 DRWN:T.UENO '03/12/22 CHK: M.SASAO '03/12/22 APPR:M.SASAO '03/12/22	MATERIAL 材料 注記参照 SEE NOTES	GENERAL TOLERANCES: (UNLESS SPECIFIED) 一般公差	SCALE --// DESIGN UNITS <input checked="" type="checkbox"/> mm <input type="checkbox"/> INCH	MODEL NO. 54393-***82 THIRD ANGLE PROJECTION	DIMENSIONS: <input type="checkbox"/> mm <input type="checkbox"/> INCH <input checked="" type="checkbox"/> mm ONLY	SHT REV
		A	0	FINISH 仕上げ //	10 UNDER 未満 ±0.2	DRAWN BY & DATE T.UENO '03/12/22	TITLE: 0.3 FPC Conn (Easy on) Hsg Assy Embstp Pkg -LEAD FREE-		
				WIRE RANGE 適用層線範囲 //	10 OVER 30 UNDER 以上 未満 ±0.25	CHECKED BY & DATE M.SASAO '03/12/22	APPROVED BY & DATE M.SASAO '03/12/22	MOLEX INCORPORATED	
				INS. RANGE 被覆外径 //	30 OVER 以上 ±0.3	CAD FILENAME SD-54393-017.S03	MATERIAL NO. SEE CHART	DRAWING NO. SD-54393-017	SHEET NO. 3 OF 4
					ANGLE 角度 ±3°	THIS DRAWING CONTAINS INFORMATION THAT IS PROPRIETARY TO MOLEX INCORPORATED AND SHOULD NOT BE USED WITHOUT WRITTEN PERMISSION.			SIZE B

DWG. NO. SD-54393-017



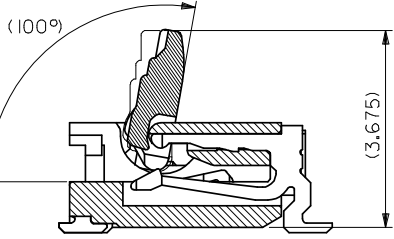
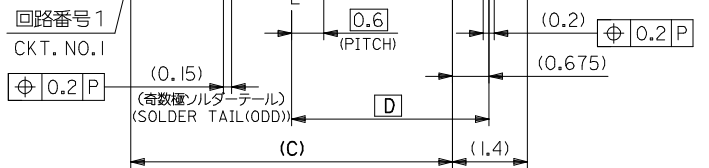
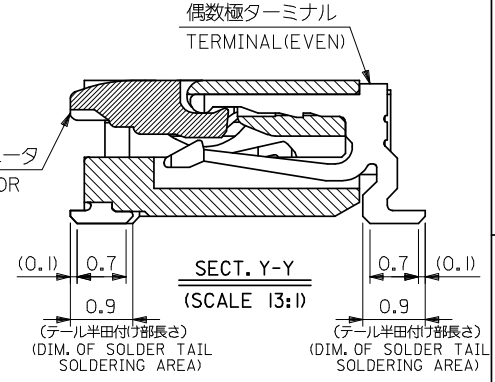
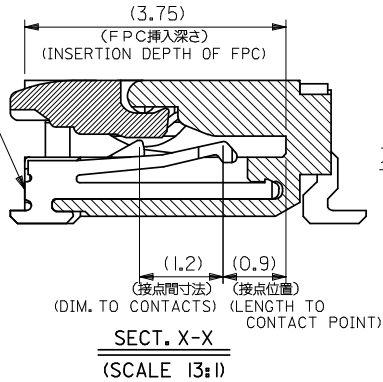
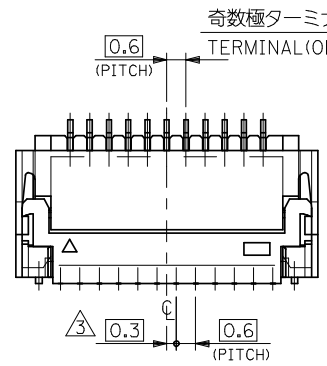
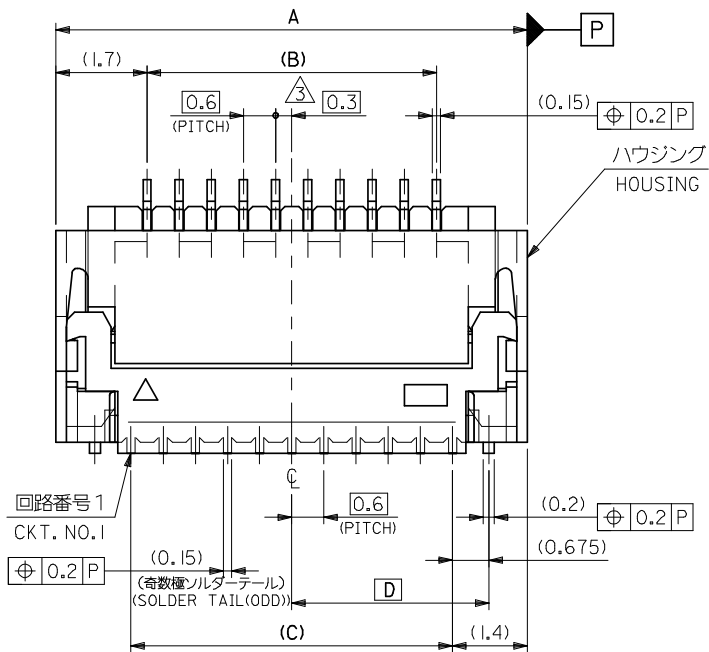
32mm幅キャリアテープ
32mm WIDTH CARRIER TAPE

DO NOT SCALE DRAWING

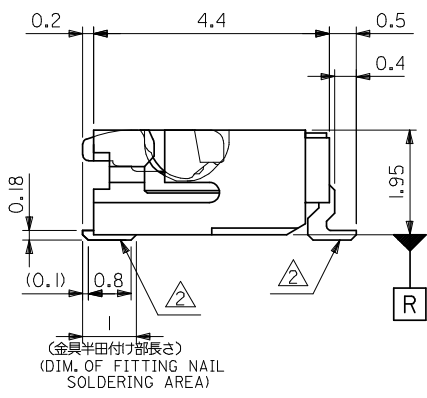
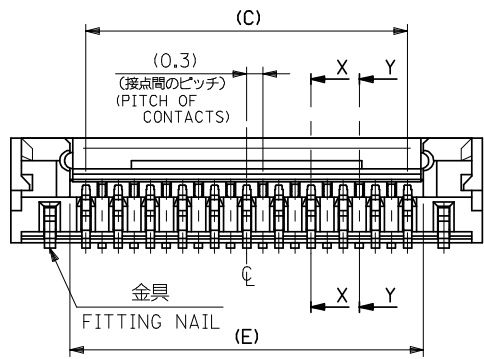
EC NO. DRWN: CHK: APPR:	EC NO. DRWN: CHK: APPR:	EC NO. DRWN: CHK: APPR:	REVISED EC NO. J2004-2846 DRWN:MINOMIYA '04/03/03 CHK: K.TOUJ '04/03/03 APPR:M.SASAO '04/03/03	RELEASED EC NO. J2004-1672 DRWN:T.UENO '03/12/22 CHK: M.SASAO '03/12/22 APPR:M.SASAO '03/12/22	DESCRIPTION MATERIAL 材料 FINISH 仕上げ WIRE RANGE 適用線径範囲 INS. RANGE 被覆外径	注記参照 SEE NOTES // // //
8	7	6	5	4	3	

32	37.4	33.4	15.2	18.0	54393-5182	51
キャリアテープ幅 CARRIER TAPE WIDTH	D	C	B	A	MATERIAL NO.	種数 CKT.
54393-***82		MODEL NO.		DIMENSIONS:		SHT REV
SCALE //	DESIGN UNITS <input checked="" type="checkbox"/> mm <input type="checkbox"/> INCH	THIRD ANGLE PROJECTION		<input type="checkbox"/> mm <input type="checkbox"/> INCH <input checked="" type="checkbox"/> mm ONLY		REVISE ON CAD ONLY
DRAWN BY & DATE T.UENO '03/12/22		TITLE: 0.3 FPC Conn (Easy on) Hsg Assy Embstp Pkg -LEAD FREE-				
CHECKED BY & DATE M.SASAO '03/12/22		APPROVED BY & DATE M.SASAO '03/12/22				
CAD FILENAME SD-54393-017.S04		MATERIAL NO. SEE CHART		DRAWING NO. SD-54393-017		SHEET NO. 4 OF 4
THIS DRAWING CONTAINS INFORMATION THAT IS PROPRIETARY TO MOLEX INCORPORATED AND SHOULD NOT BE USED WITHOUT WRITTEN PERMISSION.						SIZE B
EN-02J(097) MXJ-54						

SD-54393-017.S04



アクチュエータを開口した状態
WHEN ACTUATOR IS OPENED

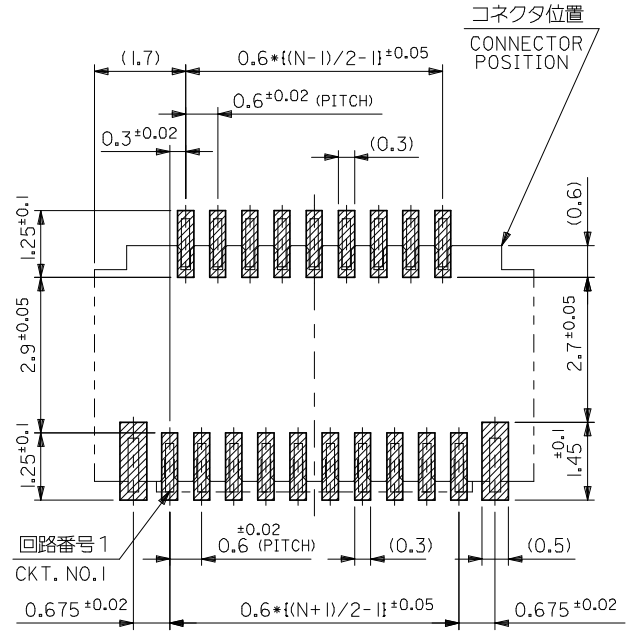


注記 NOTES

- 使用材料 MATERIAL
 ハウジング : LCP , UL94V-0
 HOUSING
 アクチュエータ : PPS , UL94V-0
 ACTUATOR
 ターミナル : リン青銅 (t=0.15), ニッケル下地鍍ピスマスメッキ
 TERMINAL : PHOS-BRO., TIN-BISMUTH OVER NICKEL PLATING.
 金具 : リン青銅 (t=0.2), ニッケル下地鍍メッキ
 FITTING NAIL : PHOS-BRO., TIN OVER NICKEL PLATING.
 ソルダータール半田付け面のスレ量、及び金具半田付け面のスレ量は、基準面 R に対し、
 上方向 OMA X、下方向 O.18 MAX. とする。
 又、相互のパラッキ量は O.1 MAX. とする。
 MISALIGNMENT OF SOLDER TAILS AND FITTING NAILS FROM R
 UPPER DIRECTION : 0 MAX., LOWER DIRECTION : 0.18 MAX.
 OFFSET BETWEEN SOLDER TAILS AND FITTING NAILS : 0.1 MAX.
 (N-1)/2 が偶数の場合、偶数極側に適用。
 (N-1)/2 が奇数の場合、奇数極側に適用。
 IF (N-1)/2 = EVEN, APPLY FOR EVEN CIRCUIT SIDE,
 IF (N-1)/2 = ODD, APPLY FOR ODD CIRCUIT SIDE,
- 一般公差 : ±0.3
 GENERAL TOLERANCES : ±0.3
- 本製品は 54393-**27 の鉛フリー品です
 THIS PRODUCT IS LEAD FREE OF 54393-**27

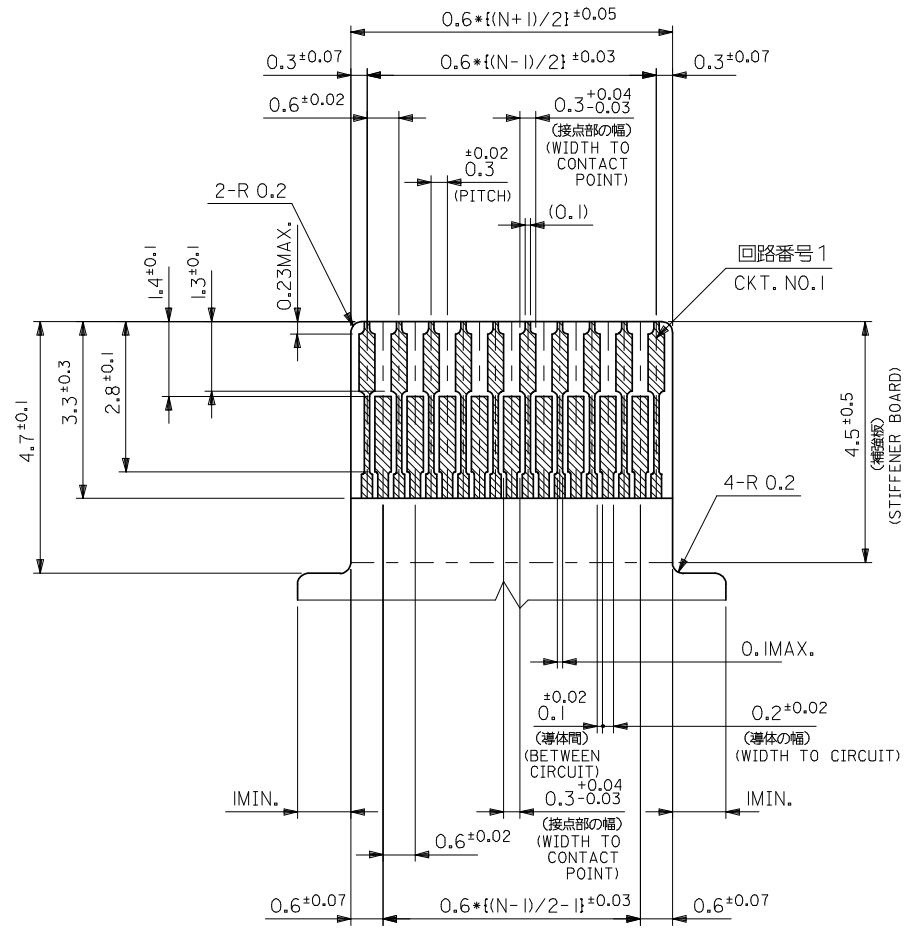
15.6	8.175	15	14.4	17.8	54393-5182	54393-5128	51
13.8	7.275	13.2	12.6	16	54393-4582	54393-4528	45
12	6.375	11.4	10.8	14.2	54393-3982	54393-3928	39
10.2	5.475	9.6	9	12.4	54393-3382	54393-3328	33
8.4	4.575	7.8	7.2	10.6	54393-2782	54393-2728	27
7.2	3.975	6.6	6.0	9.4	54393-2382	54393-2328	23
6.6	3.675	6	5.4	8.8	54393-2182	54393-2128	21
5.4	3.075	4.8	4.2	7.6	54393-1782	54393-1728	17
E	D	C	B	A	EMBOSSED TAPE	MATERIAL NO.	CKT.
ORDER No. オート番号						MODEL NO.	

REVISED EC NO: J2008-4034 DRWN: WABEI CHKD: THARUYAMA APPR: NUKITA 2008/05/28 2008/05/28 2008/05/28	GENERAL TOLERANCES (UNLESS SPECIFIED)		DIMENSION STYLE	SCALE	DESIGN UNITS	THIRD ANGLE PROJECTION	
			MM ONLY	10:1	METRIC		
	10 UNDER	±---	DRAWN BY	DATE	TITLE	0.3 FPC CONN (EASY ON) HSG ASSY -LEAD FREE- molex MOLEX INCORPORATED	
	10 OVER 30 UNDER	±---	T. UENO	'03/12/22			
	30 OVER	±---	M. SASAO	'03/12/22			
ANGULAR ±---°		APPROVED BY	DATE	DOCUMENT NO.	SHEET NO.		
DRAFT WHERE APPLICABLE MUST REMAIN WITHIN DIMENSIONS		M. SASAO	'03/12/22	SEE TABLE	SD-54393-022	1 OF 2	
		MATERIAL NO.		THIS DRAWING CONTAINS INFORMATION THAT IS PROPRIETARY TO MOLEX INCORPORATED AND SHOULD NOT BE USED WITHOUT WRITTEN PERMISSION			



FPC挿入側
FPC INSERTION SIDE

参考基板レイアウト
RECOMMENDED P.C.BOARD
PATTERN DIM. (REF.)
(マウント面)
(MOUNTING SIDE)



適合FPC推奨寸法
APPLICABLE FPC
RECOMMENDED DIM.
(仕上がり厚さ: 0.2±0.03)
(THICKNESS: 0.2±0.03)

FPCについて:
打抜き方向は導体側から補強板側を推奨致します。
補強フィルム材質はポリイミドを推奨致します。
接着剤は熱硬化接着剤を推奨致します。

ABOUT FPC:
RECOMMENDED PUNCHER DIRECTION : FROM CONDUCTOR SIDE TO STIFFENER BOARD SIDE.
RECOMMENDED MATERIAL:
STIFFENER FILM : POLYIMIDE
BONDING AGENT : THERMOSETTING BONDING AGENT

REVISED EC NO: J2008-4034 DRWN:WABEI CHKD:THARUYAMA APPR:NUKITA	DESCRIPTION 2008/05/28 2008/05/28 2008/05/28	GENERAL TOLERANCES (UNLESS SPECIFIED)		DIMENSION STYLE MM ONLY		SCALE 10:1	DESIGN UNITS METRIC	THIRD ANGLE PROJECTION	
		10 UNDER	± ---	DRAWN BY T. UENO	DATE '03/12/22	TITLE 0.3 FPC CONN (EASY ON) HSG ASSY -LEAD FREE-			
		10 OVER 30 UNDER	± ---	CHECKED BY M. SASAO	DATE '03/12/22	MOLEX INCORPORATED			
		30 OVER	± ---	APPROVED BY M. SASAO	DATE '03/12/22	DOCUMENT NO. SD-54393-022		SHEET NO. 2 OF 2	
		ANGULAR	± --- °	MATERIAL NO. SEE SHEET 1					
DRAFT WHERE APPLICABLE MUST REMAIN WITHIN DIMENSIONS		SIZE A3		THIS DRAWING CONTAINS INFORMATION THAT IS PROPRIETARY TO MOLEX INCORPORATED AND SHOULD NOT BE USED WITHOUT WRITTEN PERMISSION					