

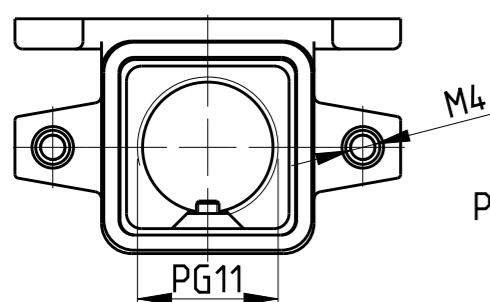
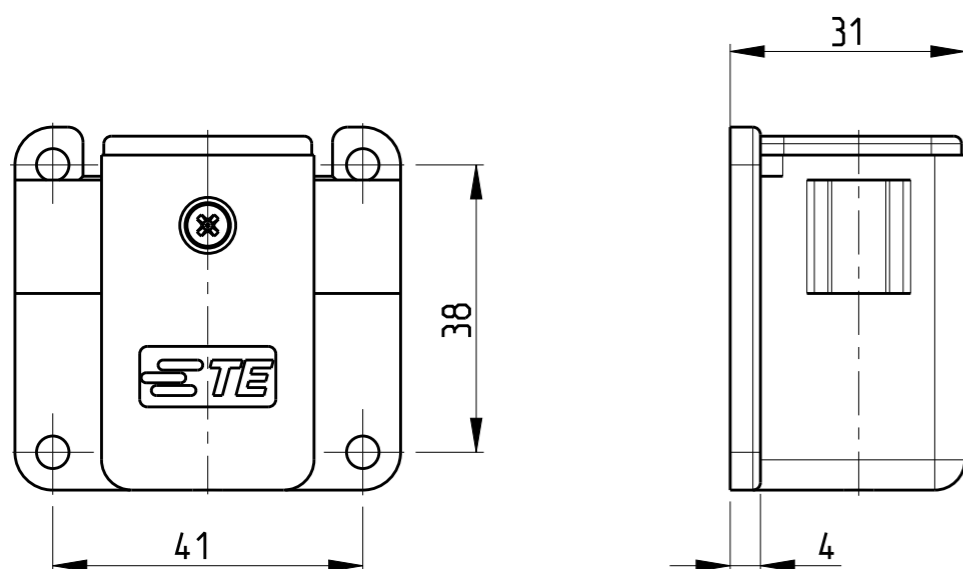
THIS DRAWING IS UNPUBLISHED. RELEASED FOR PUBLICATION 2009  
 © COPYRIGHT 2009 BY - ALL RIGHTS RESERVED.

REVISIONS

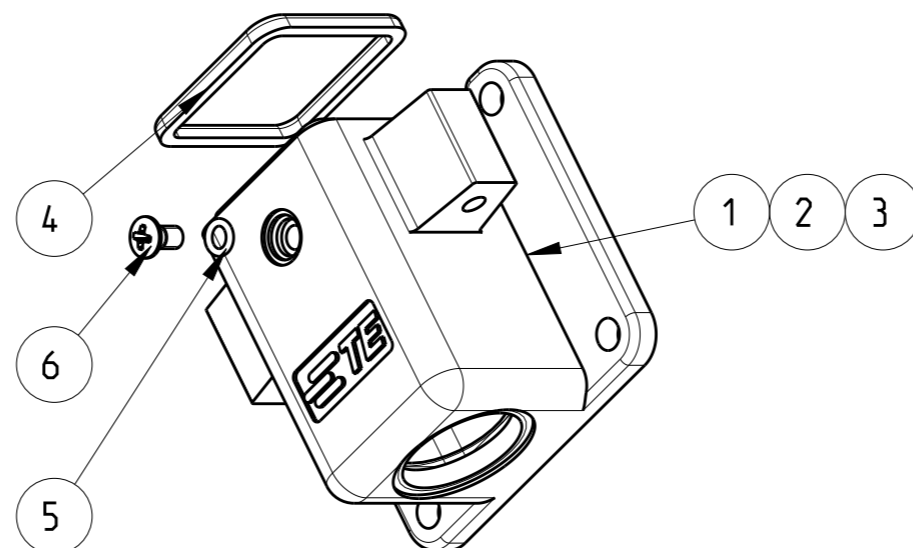
P	LTR	DESCRIPTION	DATE	DWN	APVD
A5		ECR-09-023155	22OCT2009	VG	AR
B		ECR-16-001983	18MAY2016	GCM	JB

Notes

- SUITABLE HOUSINGS: SERIES HIP, SIZE 1  
CUSTOMER DRAWING 1102600, 1106408, 1106200
- STANDARDS:  
DIN EN 61984, DIN EN 60664-1
- TOOL:  
PHILLIPS SCREWDRIVER PH1.
- VARNISH ON INSIDE AREA NOT NECESSARY
- PACKAGING:  
10 SETS IN A CARTON.



PN 1-5 AS SHOWN



2-1102601-5	HIP-K.3/4.SG.1.11.G
1-1102601-5	HIP.3/4.SG.1.11.G
PART NO.	ORDERING TEXT

2-5	1-5	DESCRIPTION	MATERIAL	COLOR/SURFACE	NOTE	ITEM
1	1	SREW COUNTERSUNK RAISED HEAD	STAINL. STEEL V2A	-	M3x6 PH1 DIN EN ISO 7047	6
1	1	O - RING	NBR	BLACK	3.0x1.0	5
1	1	PROFILE SEAL	FKM	BLACK	SERIES EMV / HIP	4
1	-	ANGLED SURFACE MOUNTED HOUSING	ALU	BLACK	SERIES HIP-K	2
-	1	ANGLED SURFACE MOUNTED HOUSING	ALU	GREY	SERIES HIP	1

PARTS LIST (PER ONE UNIT)

THIS DRAWING IS A CONTROLLED DOCUMENT.		DWN V.GLUMM 25AUG2009	<b>TE Connectivity</b>											
DIMENSIONS: mm		CHK H.Braun 25AUG2009												
TOLERANCES UNLESS OTHERWISE SPECIFIED:		APVD T.Schnurfeil 25AUG2009												
<table border="0"> <tr> <td>0 PLC</td> <td>±</td> </tr> <tr> <td>1 PLC</td> <td>±</td> </tr> <tr> <td>2 PLC</td> <td>±</td> </tr> <tr> <td>3 PLC</td> <td>±</td> </tr> <tr> <td>4 PLC</td> <td>±</td> </tr> <tr> <td>ANGLES</td> <td>±°</td> </tr> </table>		0 PLC			±	1 PLC	±	2 PLC	±	3 PLC	±	4 PLC	±	ANGLES
0 PLC	±													
1 PLC	±													
2 PLC	±													
3 PLC	±													
4 PLC	±													
ANGLES	±°													
MATERIAL	FINISH	APPLICATION SPEC	NAME ANGLD SURFACE MOUNTED HOSUING ASS'Y SIDE ENTRY, SERIES HIP, SIZE 1											
-	-	WEIGHT	SIZE A3	CAGE CODE 00779										
		CUSTOMER DRAWING	DRAWING NO C-1102601	RESTRICTED TO -										
		SCALE 1:1	SHEET 1 OF 1	REV B										