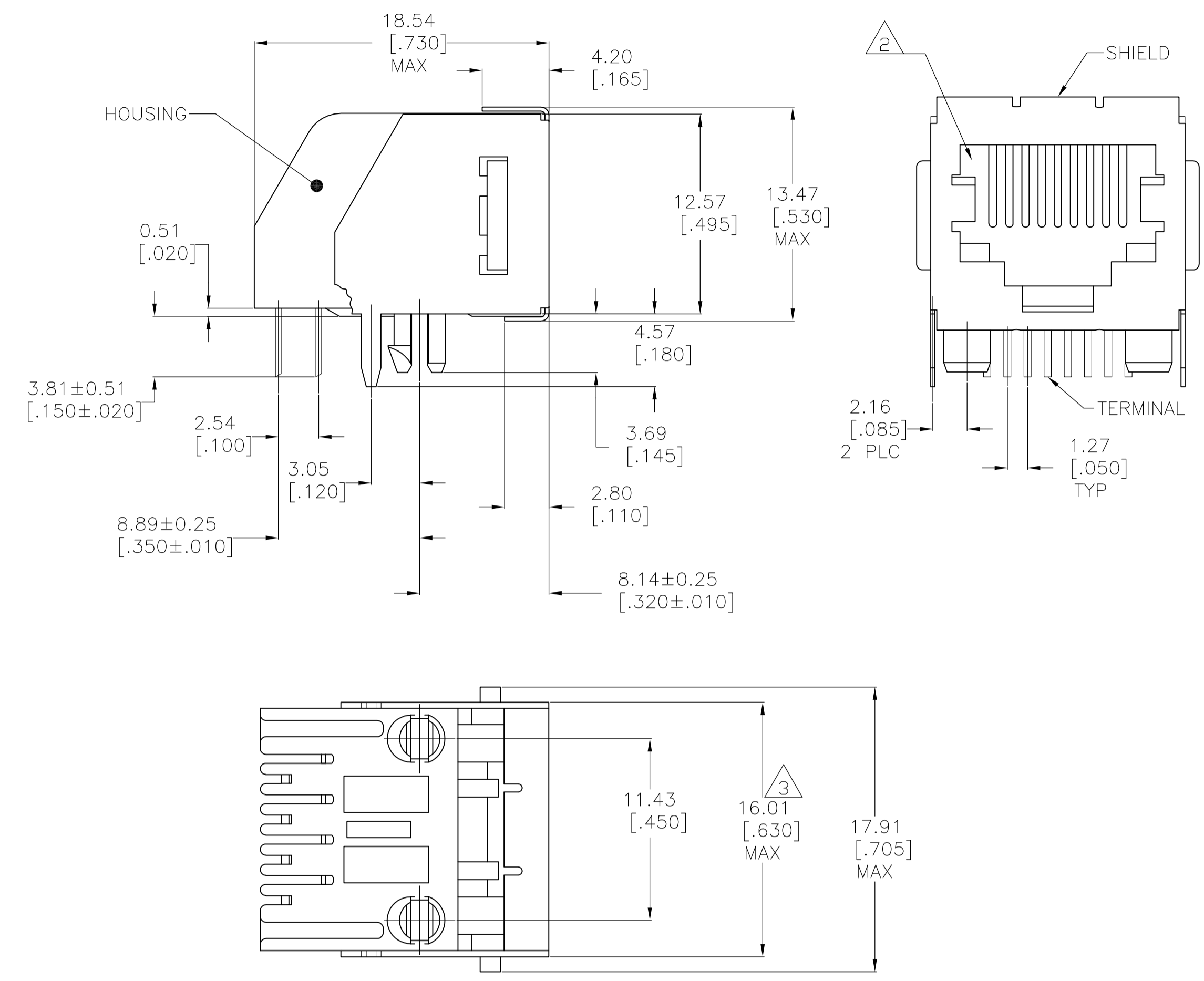
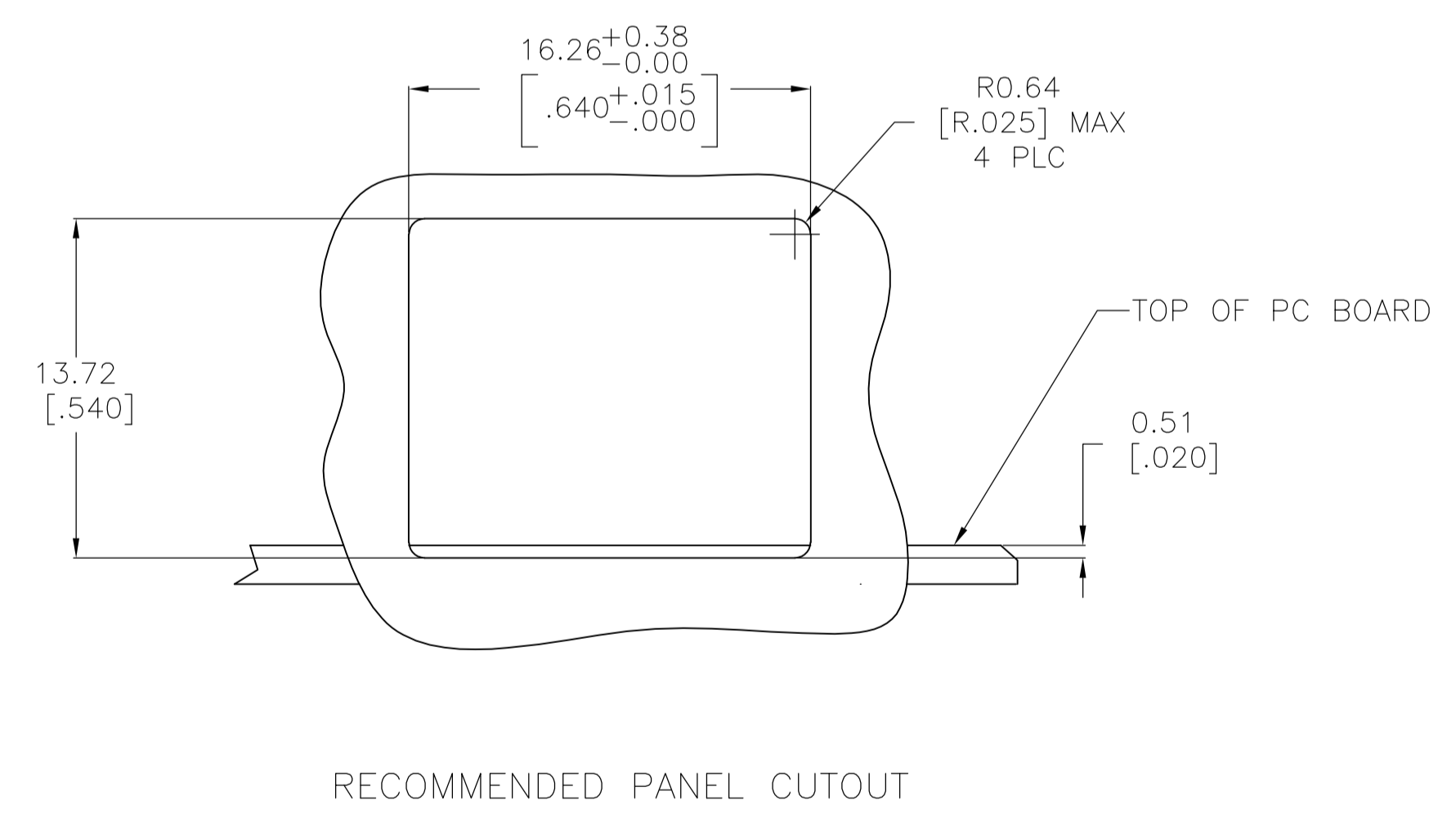
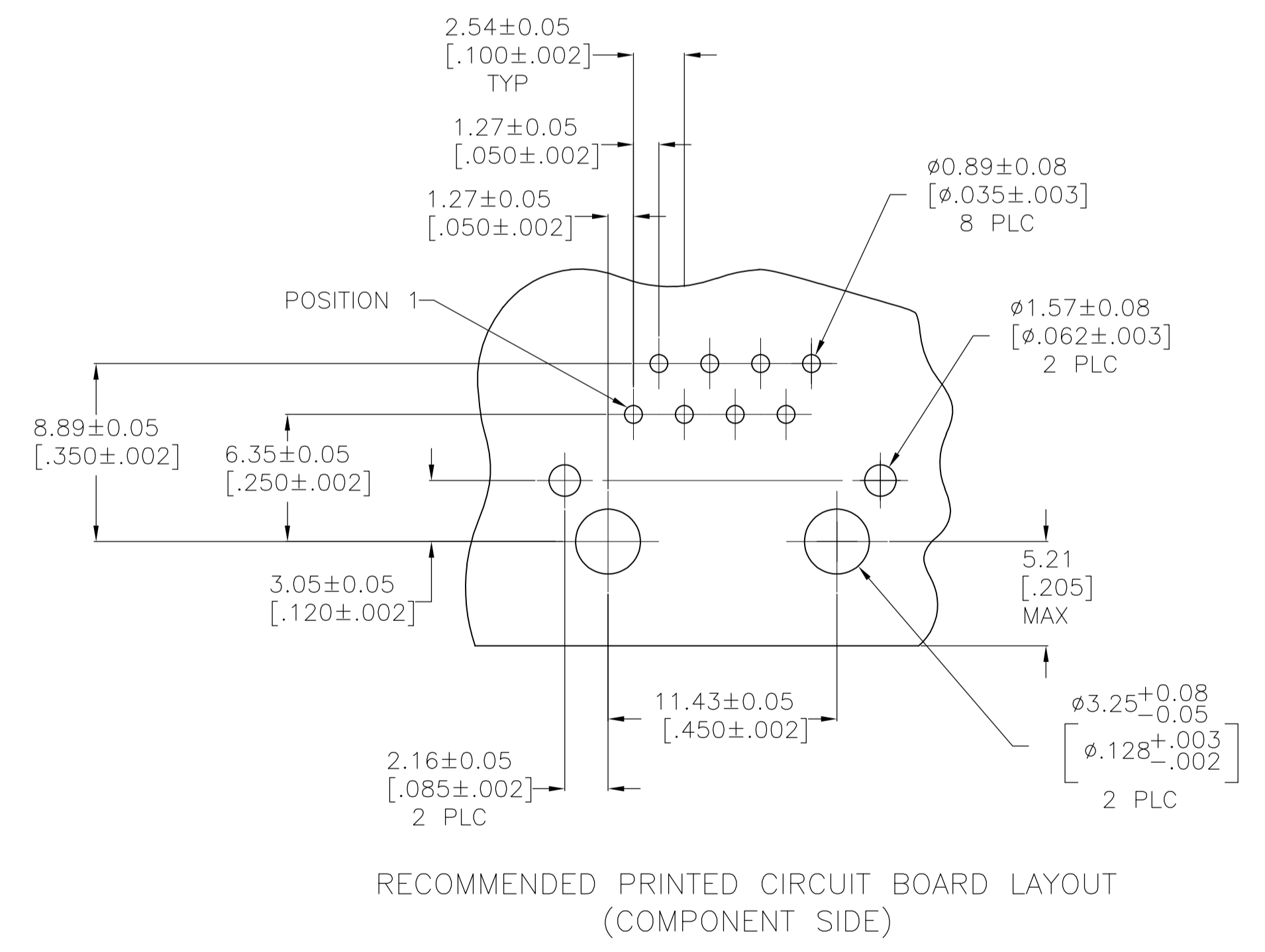


LOC		DIST		REVISIONS			
P	LTR	DESCRIPTION	DATE	DWN	APVD		
B		ECO-07-026027	12NOV07	LAM	PR		



- MATERIAL:
 HOUSING - HTN NYLON, COLOR: BLACK
 TERMINAL - 0.36[.014] THICK PHOS-BRONZE PLATED WITH 1.27µm[.000050] MINIMUM THICK HARD GOLD IN LOCALIZED GOLD PLATE AREA AND 3.81µm[.000150] MINIMUM THICK MATTE TIN IN SOLDER AREA OVER 1.27µm[.000050] THICK MINIMUM NICKEL UNDERPLATE.
 SHIELD - 0.25[.010] THICK COPPER ALLOY PLATED WITH 3.0µm[.000120] MINIMUM REFLOWED TIN
- △2 CAVITY CONFORMS TO FCC RULES AND REGULATIONS, PART 68, SUBPART F
- △3 DIMENSION MEASURED ALONG FRONT EDGES OF MATING FACE



5558250-1
PART NUMBER

THIS DRAWING IS A CONTROLLED DOCUMENT.		DIN A. FERNANDEZ-DOCKS 07/JUN/2005	Tyco Electronics Corporation Harrisburg, PA 17105-3608	
DIMENSIONS: mm [INCHES]		CHK J. WESTMAN 07/JUN/2005	NAME MODULAR JACK ASSEMBLY, SHIELDED, 8 POSITION LOW PROFILE, RIGHT ANGLE, PCB GROUND	
TOLERANCES UNLESS OTHERWISE SPECIFIED:		APVD S. FLICKINGER 07/JUN/2005	PRODUCT SPEC 108-1163	
0 PLC ± -		APPLICATION SPEC 114-2048		
1 PLC ± -		SIZE A1		
2 PLC ± 0.13[.005]		CAGE CODE 00779		
3 PLC ± -		DRAWING NO 5558250		
4 PLC ± -		SCALE 4:1		
ANGLES ± -		SHEET 1 of 1		
MATERIAL SEE NOTE 1		WEIGHT -		
FINISH SEE NOTE 1		REV B		
CUSTOMER DRAWING		SCALE 4:1		