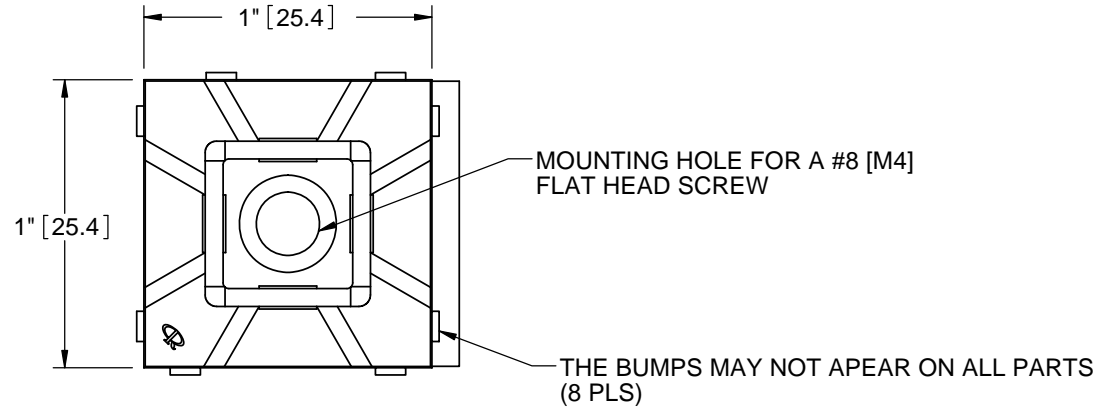
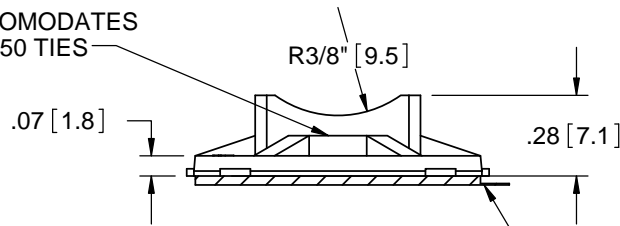


PART NO.	MATERIAL	COLOR	ADHESIVE
FTH-7-01	NYLON 6/6 (RMS-01)	NATURAL	NONE
FTH-7A-RT			ACRYLIC TAPE (RMS-15), WHITE LINER
FTH-7A1-RT			RUBBER TAPE (RMS-102), BLUE LINER
FTH-7-UVB	UVB STABILIZED NYLON (RMS-46)	BLACK	NONE
FTH-7A-RT-UVB			ACRYLIC TAPE (RMS-15), WHITE LINER
*FTH-7A1-RT-UVB			RUBBER TAPE (RMS-102), BLUE LINER

*AVAILABLE BY SPECIAL ORDER ONLY.



ACCOMODATES WIT-50 TIES



NOTES:

1. MATERIAL: FLAME RETARDANT NYLON 6/6 (RMS-19)
 COLOR NATURAL
 AVAILABLE BY SPECIAL ORDER ONLY.
 TO ORDER USE P/N: FTH-7-19 (WITHOUT TAPE).
 FTH-7A-RT-19 (WITH TAPE)

2. PACKAGING QUANTITIES ARE REFLECTED AS THE SUFFIX "-LETTER"
 EXAMPLE: FTH-7-01-M FOR 1000 PCS PER BAG.
 -C = 100 PCS
 -M = 1000 PCS

TITLE: FLAT TIE HOLDER				DWG IN IN [MM]		FINAL	
CREATED USING SOLIDWORKS	FILE #: FTH-7	DWN: SK	APP: R.T.				
TOLERANCES UNLESS NOTED .XX=±.010 .XXX=±.005 FRAC.=±1/64 ANG.=±1°	SHEET: 1 OF 1	SHEET SIZE: A	DT: 10/30/08	CHKD: R.G.	PART #		PRINT TYPE
	RE: RICHCO, INC.	RICHCO, INC. ENG@RICHCO-INC.COM (773) 539-4060		SEE TABLE		CA	

REV.	DESCRIPTION	ENGR.	DATE
H	ADDED NOTE 2. SEE CO 200661	SK	05/12/11
G	SEE CO 200570 FOR CHANGES	SK	08/04/10
F	SEE CO 200248 FOR CHANGES	SK	10.30.08
-	SEE ENGINEERING FOR REV. A-E	-	----